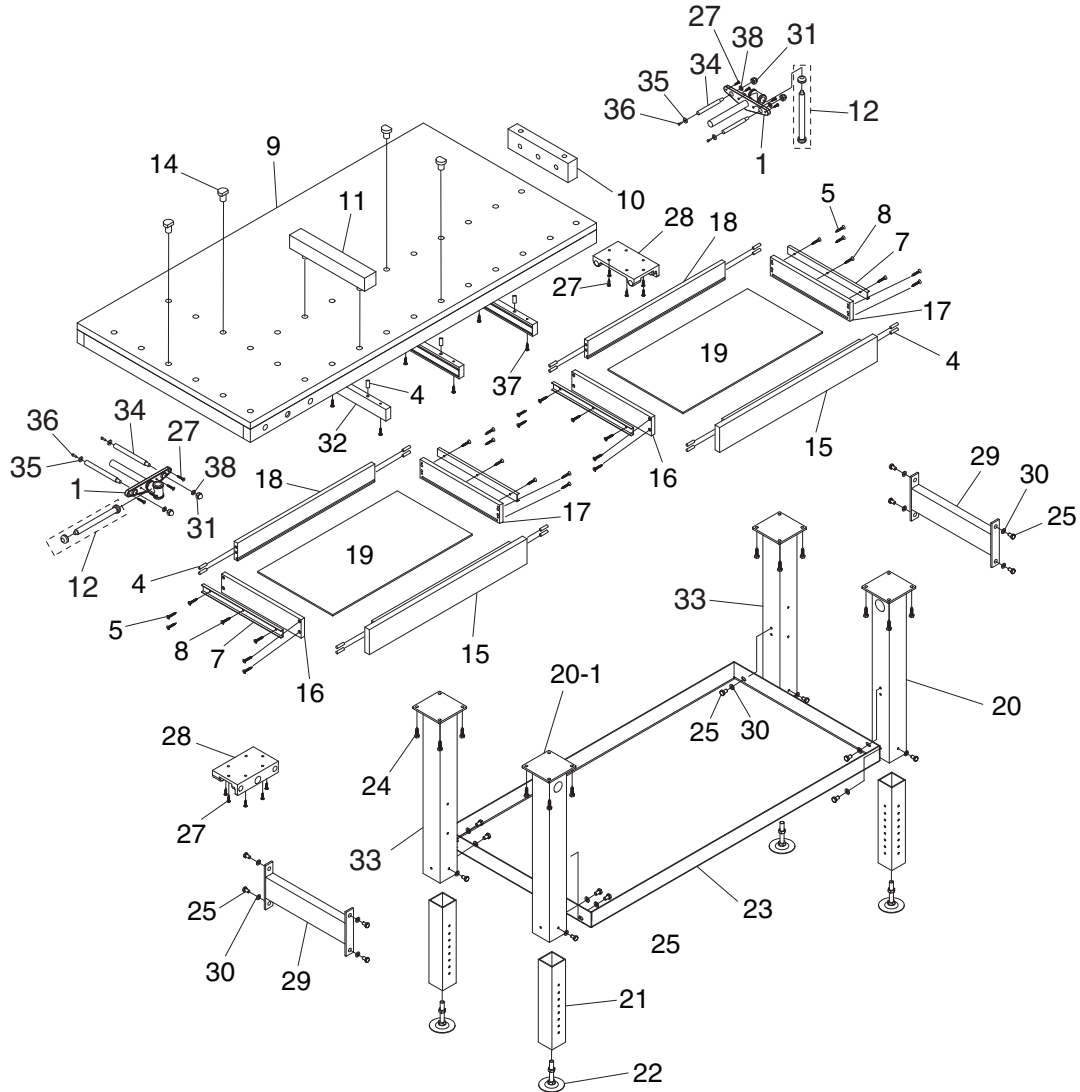


# Parts Breakdown and List



REF PART #	DESCRIPTION	QTY	
1	PT10157001	WISE LEADSCREW ASSEMBLY	2
4	PT10157004	WOOD DOWEL M8 X 30	22
5	PWS005	WOOD SCREW #8 X 1-1/4	16
7	PT10157007	BALL BEARING DRAWER SLIDE	4
8	PT10157008	WOOD SCREW M4 X 13	12
9	PT10157009	WORKBENCH TOP	1
10	PT10157010	WISE FACE	2
11	PT10157011	BENCH STOP BAR	1
12	PT10157012	WISE HANDLE ASSEMBLY	2
14	PT10157014	BENCH DOG	4
15	PT10157015	DRAWER PANEL FRONT	2
16	PT10157016	DRAWER PANEL LEFT	2
17	PT10157017	DRAWER PANEL RIGHT	2
18	PT10157018	DRAWER PANEL BACK	2
19	PT10157019	DRAWER PANEL BOTTOM	2
20	PT10157020	UPPER LEG W/SIDE LEADSCREW HOLE	1
20-1	PT10157020-1	UPPER LEG W/FRONT LEADSCREW HOLE	1

REF PART #	DESCRIPTION	QTY	
21	PT10157021	LOWER LEG	4
22	PT10157022	FOOT PAD 1/2"-13 X 3"	4
23	PT10157023	BOTTOM SHELF	1
24	PT10157024	LAG SCREW 5/16" X 1"	16
25	PB07	HEX BOLT 5/16-18 X 3/4	20
27	PWS006	WOOD SCREW #8 X 1	20
28	PT10157028	LEADSCREW PLATE	2
29	PT10157029	LEG SUPPORT	2
30	PW07	FLAT WASHER 5/16"	20
31	PN40	ACORN NUT 5/16-18	4
32	PT10157032	DRAWER SUPPORT W/RAIL	3
33	PT10157033	UPPER LEG W/O LEADSCREW HOLE	2
34	PT10157034	WISE ROD	4
35	PT10157035	WISE ROD WASHER	4
36	PT10157036	WISE BOLT	4
37	PWS001	WOOD SCREW #10 X 1-1/2	9
38	PW10M	FLAT WASHER 14MM	4

