



SHOP FOX® CLASSIC FENCE

MODEL H6472

MANUAL INSERT

Introduction

The Model H6472 Shop Fox Classic Fence is made exclusively for Grizzly Industrial by Woodstock International to fit the Model G7209/G7210 14" Table Saw. The Model H6472 is exactly the same as the regular Shop Fox Classic fence, except that the fence body, fence facing, and rails are different.

How to Use this Sheet

This instruction sheet was designed to be used in conjunction with the instruction manual provided by Woodstock International, which is intended for the regular Shop Fox Classic Fence (Model W2005/W2006/W2007).

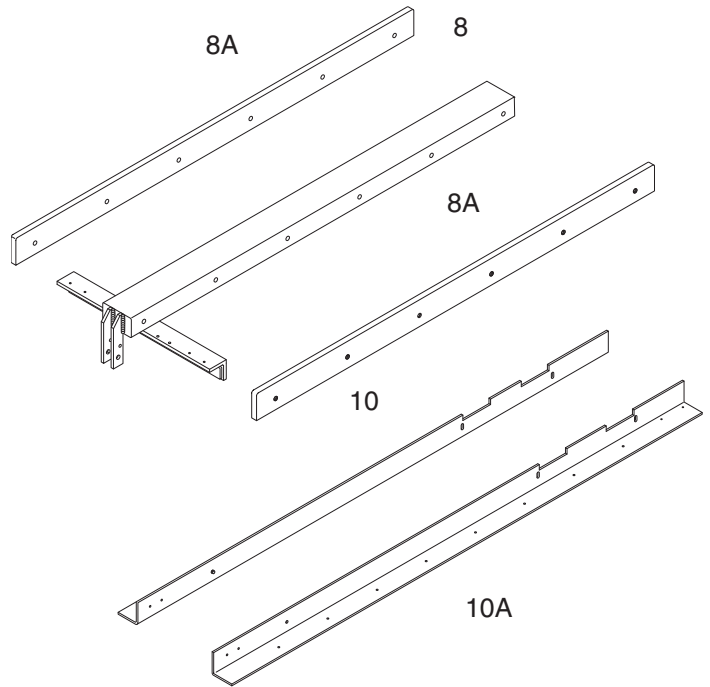
Because this fence is produced only for Grizzly Industrial, replacement parts exclusive to the Model H6472 (shown to the right) are only available through Grizzly Industrial.

All other parts common to the Model W2005/W2006/W2007 can be ordered through the instruction manual included with your fence by Woodstock International.

All instructions for the Model H6472 are the same as the instructions for the Model W2005/W2006/W2007, which are found in the instruction manual included with your fence.

If you need additional help with assembly or set up, we will be glad to help! Call our service department at: (570) 546-9663.

Parts Exclusive to H6472 (for all others refer to W2005 parts)



REF	PART #	DESCRIPTION
8	PH6472008	FENCE BODY
8A	PH6472008A	FENCE FACING
10	PH64720010	REAR RAIL
10A	PH64720010A	FRONT RAIL SUPPORT

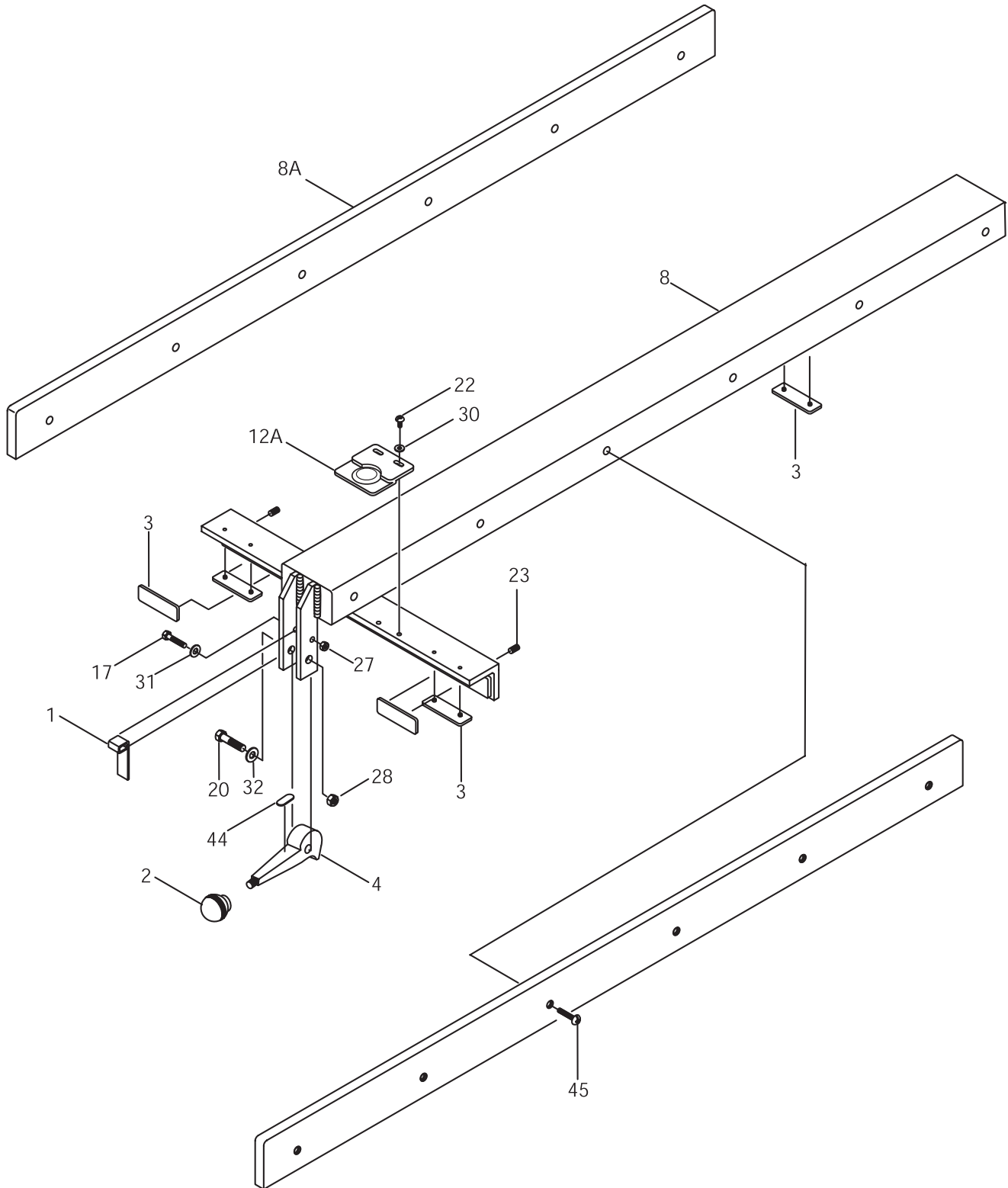
COPYRIGHT © OCTOBER, 2004 BY GRIZZLY INDUSTRIAL, INC.

WARNING: NO PORTION OF THIS MANUAL MAY BE REPRODUCED IN ANY SHAPE OR FORM WITHOUT THE WRITTEN APPROVAL OF GRIZZLY INDUSTRIAL.

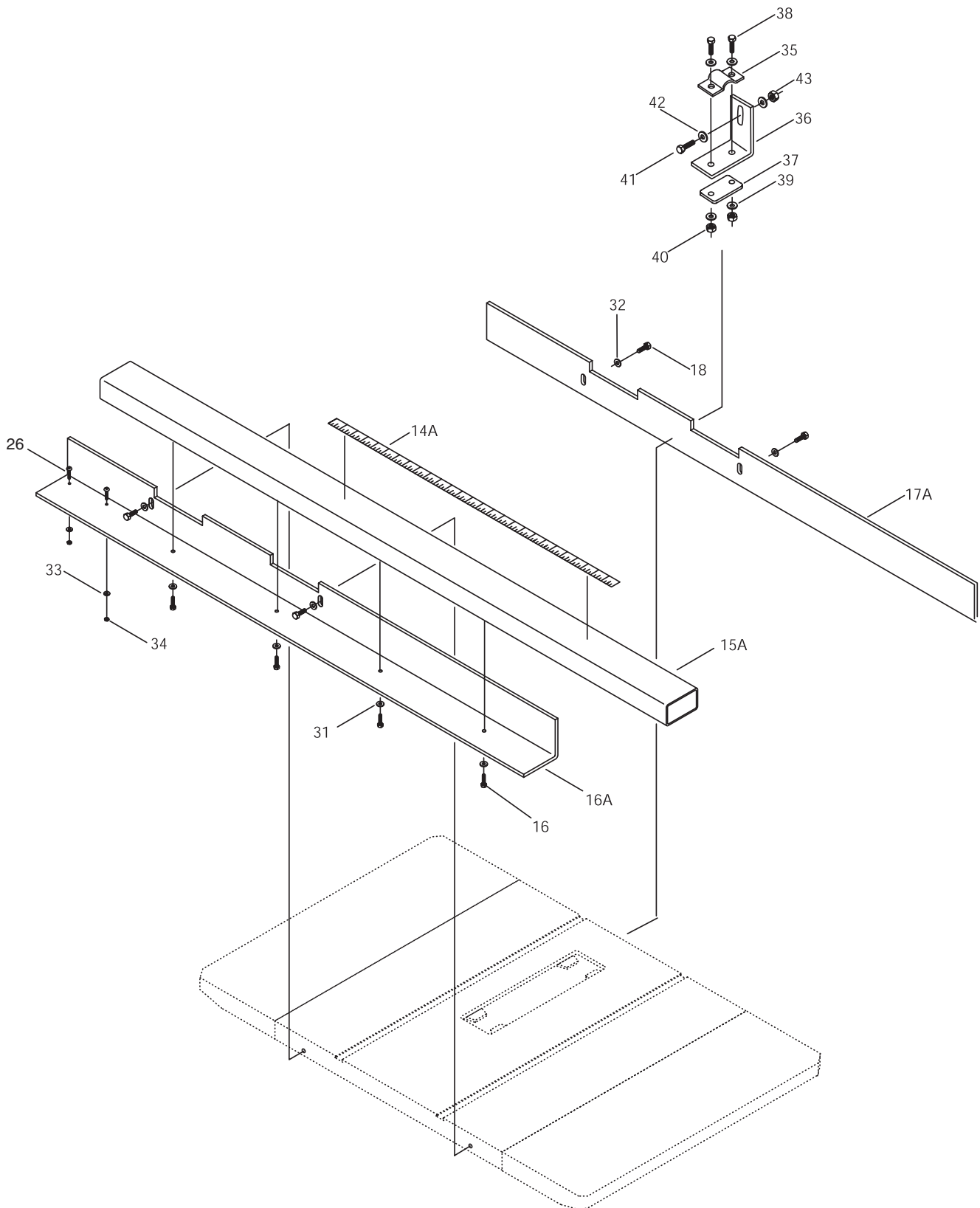
#TR6708 PRINTED IN TAIWAN

W2005 Fence Parts Diagram

NOTE: The W2006 is a combination of the W2005 Fence and the W2007 Legs and 7' Rails.

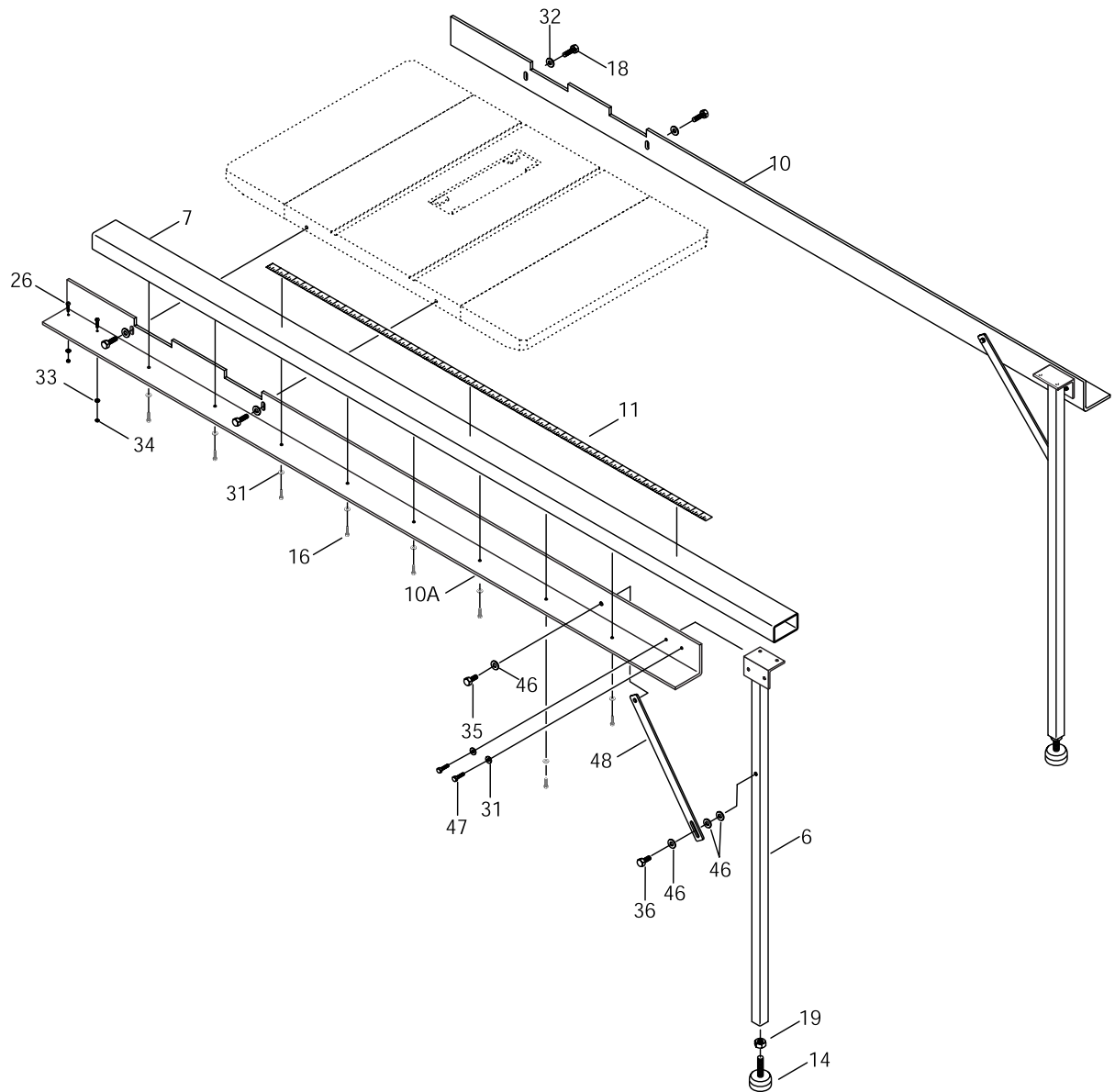


W2005 Standard Rail Parts Diagram



W2007 Leg and 7' Rail Parts Diagram

NOTE: The W2006 is a combination of the W2005 Fence and the W2007 Legs and 7' Rails.



W2005 Parts List

REF	PART #	DESCRIPTION
1	X2005001	FENCE LOCKING TAB
2	X2005002	KNOB
3	X2005003	BEARING PAD
4	X2005004	LOCKING LEVER
8	X2005008	FENCE BODY
8A	X2005008A	FENCE FACING
12A	X2005012A	MAGNIFIED CURSOR
14A	X2005014A	SCALE
15A	X2005015A	FRONT RAIL TUBE
16	XPB19	HEX BOLT 1/4-20 X 1/2
16A	X2005016A	FRONT RAIL SUPPORT
17	XPB88	HEX BOLT 1/4 - 20 X 1-3/4
17A	X2005017A	REAR RAIL
18	XPB18	HEX BOLT 3/8-16 X 1
20	XPB25	HEX BOLT 3/8-16 X 1-3/4
22	XPS06	PHLP HD SCR 10-24 X 3/8
23	X2005023	SET SCREW 3/8-16 X 5/16
26	XPFH21	FLAT HD SCR 10-24 X 3/4

REF	PART #	DESCRIPTION
27	XPLN02	LOCK NUT 1/4-20
28	XPLN01	LOCK NUT 3/8-16
30	XPW03	FLAT WASHER #10
31	XPW06	FLAT WASHER 1/4
32	XPW02	FLAT WASHER 3/8
33	XPW03	FLAT WASHER 1/4
34	XPN05	HEX NUT 1/4-20
35	X2005035	V-CLAMP
36	X2005036	L-BRACKET
37	X2005037	LOCKING PLATE
38	XPB26	HEX BOLT 1/4-20 X 1 1/2
39	XPW06	FLAT WASHER 1/4
40	XPN05	HEX NUT 1/4-20
41	XPB07	HEX BOLT 5/16-18 X 3/4
42	XPW07	FLAT WASHER 5/16
43	XPN02	HEX NUT 5/16-18
44	X2005044	MAGNET
45	XPS43	PHLP HD SCR 10-24 X 1/2

W2007 Parts List

REF	PART #	DESCRIPTION
6	X2007006	EXTENSION LEG
7	X2007007	FRONT RAIL TUBE
10	X2007010	REAR RAIL
10A	X2007010A	FRONT RAIL SUPPORT
11	X2007011	SCALE
14	X2007014	ADJUSTABLE FOOT
16	X2007016	HEX BOLT 1/4-20 X 3/4
18	XPB18	HEX BOLT 3/8-16 X 1
19	XPN34	HEX NUT 1/2-12
26	XPFH21	FLAT HD SCR 1/4-20 X 3/4

REF	PART #	DESCRIPTION
31	XPW06	FLAT WASHER 1/4
32	XPW02	FLAT WASHER 3/8
33	XPW06	FLAT WASHER 1/4
34	XPN05	HEX NUT 1/4-20
35	XPB65	HEX BOLT 3/8-16 X 5/8
36	XPB21	HEX BOLT 3/8-16 X 3/4
46	XPW02	FLAT WASHER 3/8
47	XPB19	HEX BOLT 1/4-20 X 1/2
48	X2007048	BRACE