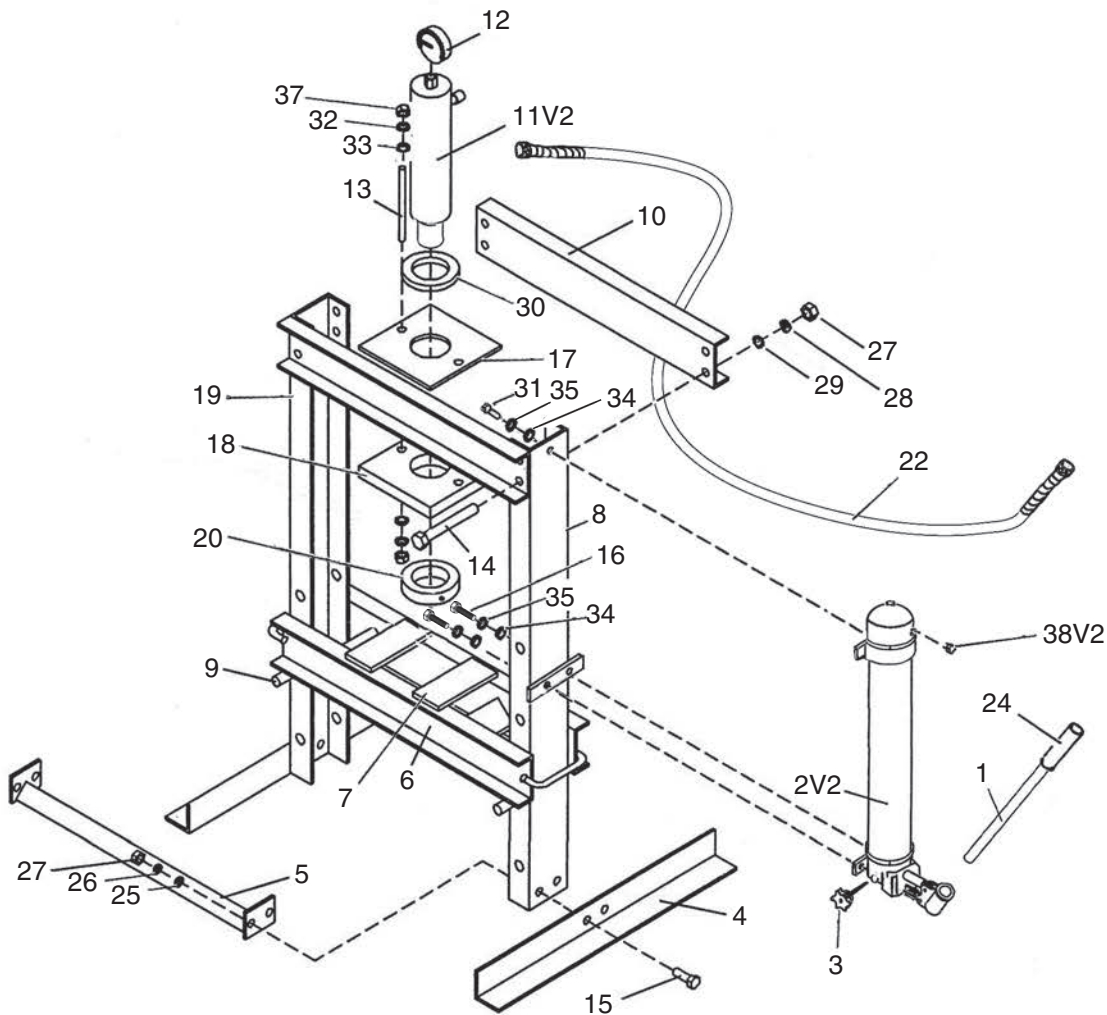


SECTION 7: PARTS

Main

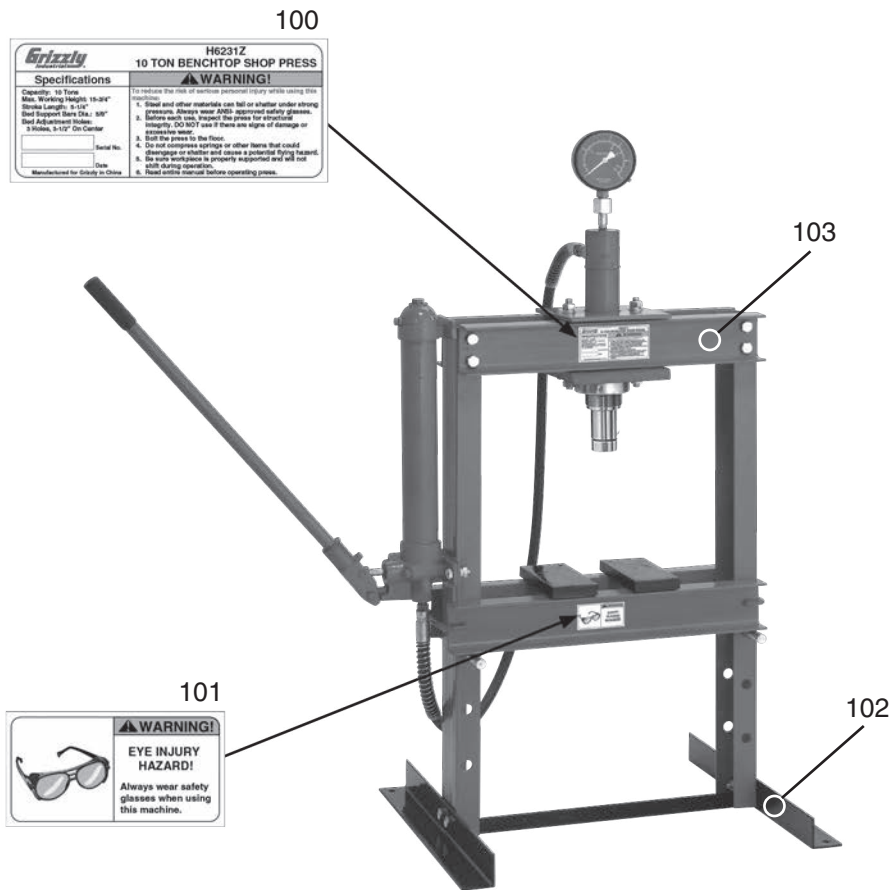


REF	PART #	DESCRIPTION
1	PH6231Z001	PUMP LEVER W/GRIP
2V2	PH6231Z002V2	HYDRAULIC PUMP 10-TON V2.01.13
3	PH6231Z003	CONTROL VALVE KNOB BOLT
4	PH6231Z004	BASE LEG
5	PH6231Z005	BASE CROSS SUPPORT
6	PH6231Z006	BED
7	PH6231Z007	ARBOR PLATE
8	PH6231Z008	U-BEAM W/PUMP BRACKET
9	PH6231Z009	BED PIN
10	PH6231Z010	UPPER U-BEAM
11V2	PH6231Z011V2	PISTON ASSEMBLY 10-TON V2.01.13
12	PH6231Z012	HYDRAULIC PRESSURE GAUGE
13	PH6231Z013	STUD-DE M12-1.75 X 150 32RH
14	PH6231Z014	HEX BOLT M12-1.75 x 110 C8.8
15	PH6231Z015	HEX BOLT M12-1.75 x 30
16	PH6231Z016	HEX BOLT M8-1.25 x 25
17	PH6231Z017	SUPPORT PLATE 6MM
18	PH6231Z018	SUPPORT PLATE 20MM

REF	PART #	DESCRIPTION
19	PH6231Z019	U-BEAM W/O PUMP BRACKET
20	PH6231Z020	SPANNER RING 25MM
22	PH6231Z022	HYDRAULIC HOSE
24	PH6231Z024	RUBBER GRIP
25	PH6231Z025	FLAT WASHER 12MM
26	PH6231Z026	LOCK WASHER 12MM
27	PH6231Z027	HEX NUT M12-1.75
28	PH6231Z028	LOCK WASHER 12MM
29	PH6231Z029	FLAT WASHER 12MM
30	PH6231Z030	SPANNER RING 15MM THICK
31	PH6231Z031	HEX BOLT M8-1.25 x 16
32	PH6231Z032	LOCK WASHER 12MM
33	PH6231Z033	FLAT WASHER 12MM
34	PH6231Z034	FLAT WASHER 8MM
35	PH6231Z035	LOCK WASHER 8MM
37	PH6231Z037	HEX NUT M12-1.75
38V2	PH6231Z038V2	FILL PLUG M10-1 X 4 V2.01.13



Labels & Cosmetics



REF	PART #	DESCRIPTION
100	PH6231Z100	MACHINE ID LABEL
101	PH6231Z101	SAFETY GLASSES LABEL

REF	PART #	DESCRIPTION
102	PH6231Z102	TOUCH-UP PAINT, BLACK
103	PH6231Z103	TOUCH-UP PAINT, RED

WARNING

Safety labels warn about machine hazards and ways to prevent injury. The owner of this machine **MUST** maintain the original location and readability of the labels on the machine. If any label is removed or becomes unreadable, **REPLACE** that label before using the machine again. Contact Grizzly at (800) 523-4777 or www.grizzly.com to order new labels.

