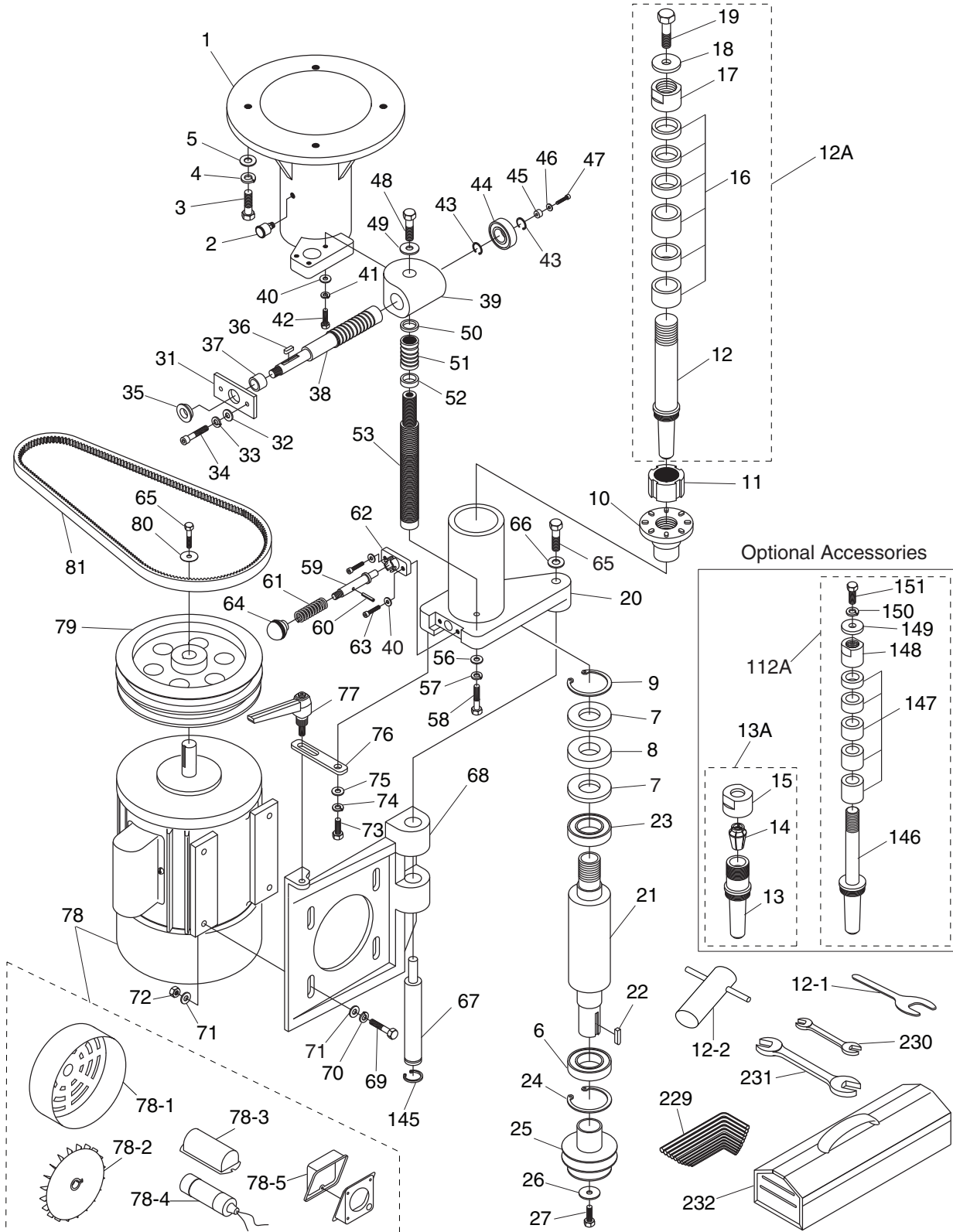


# SECTION 9: PARTS

## Motor & Spindle Breakdown



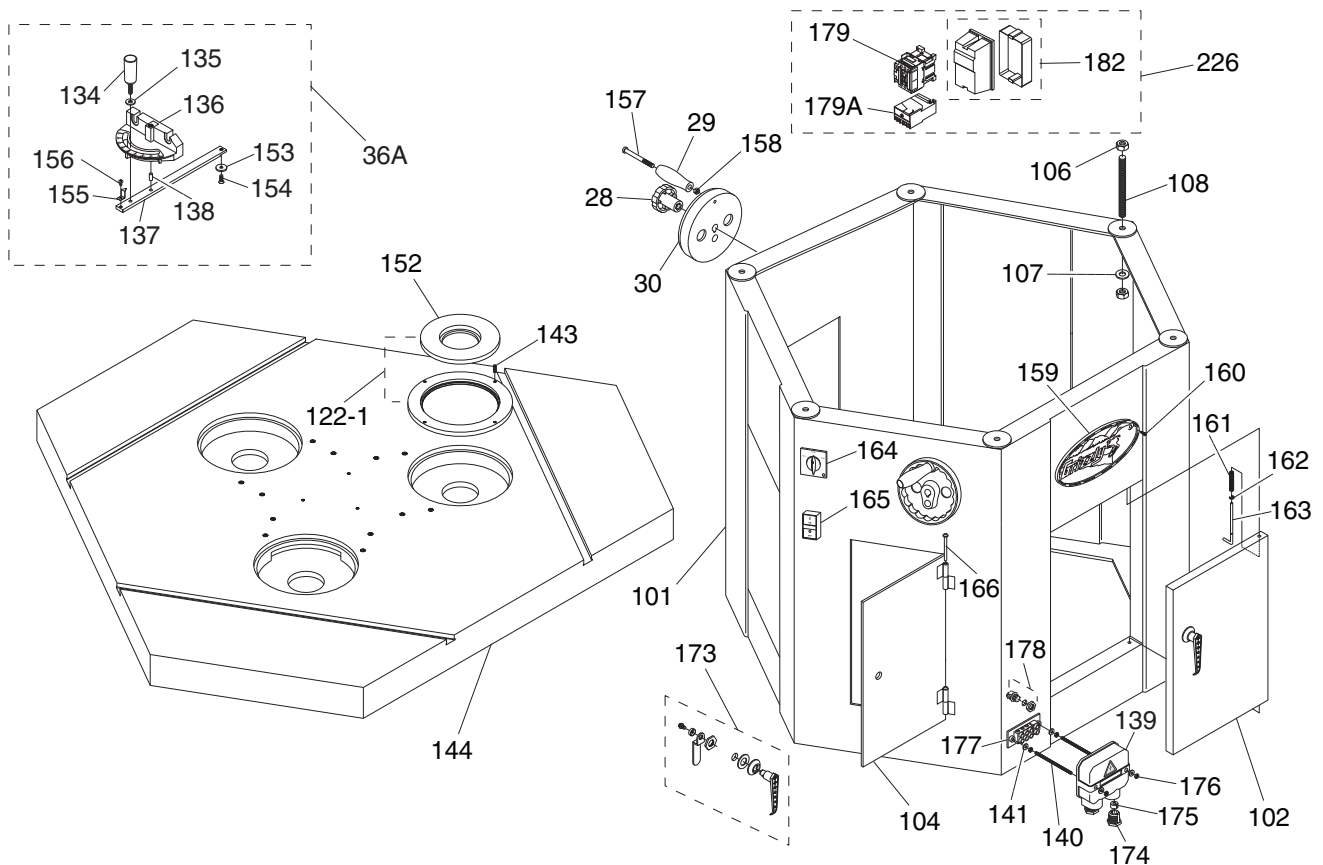
# Motor & Spindle Parts List

REF	PART #	DESCRIPTION
1	P9933001	OUTER SPINDLE HOUSING
2	P9933002	GREASE CUP ASSEMBLY
3	PB01M	HEX BOLT M10-1.5 X 30
4	PLW06M	LOCK WASHER 10MM
5	PW04M	FLAT WASHER 10MM
6	P6205ZZ	BALL BEARING 6205ZZ
7	P9933007	SPACER
8	P9933008	SPACER
9	PR26M	INT RETAINING RING 52MM
10	P9933010	SPINDLE HOUSING COVER
11	P9933011	SPINDLE LOCK NUT 1-1/4"-7
12	P9933012	CUTTER SPINDLE 1-1/4"
12-1	P9933012-1	SPINDLE WRENCH
12-2	P9933012-2	SPINDLE KEY
12A	P9933012A	CUTTER SPINDLE ASSEMBLY 1-1/4"
13	P9933013	ROUTER BIT SPINDLE 1/2"
13A	H0784	ROUTER BIT SPINDLE ASSEMBLY 1/2"
14	P9933014	ROUTER BIT COLLET 1/2"
15	P9933015	ROUTER BIT COLLET NUT 1/2"
16	P9933016	SPACER KIT 1-1/4"
17	P9933017	SPINDLE NUT 1-1/4"
18	P9933018	SPECIAL FLAT WASHER 12MM
19	PB25M	HEX BOLT M12-1.75 X 25
20	P9933020	INNER SPINDLE HOUSING
21	P9933021	SPINDLE CARTRIDGE
22	PK61M	KEY 7 X 7 X 30
23	P6007ZZ	BALL BEARING 6007ZZ
24	PR38M	INT RETAINING RING 62MM
25	P9933025	SPINDLE PULLEY
26	P9933026	SPECIAL WASHER M8
27	PFH21M	FLAT HD SCR M8-1.25 X 25
31	P9933031	SUPPORT
32	PW01M	FLAT WASHER 8MM
33	PLW04M	LOCK WASHER 8MM
34	PSB11M	CAP SCREW M8-1.25 X 16
35	P9933035	PLASTIC SPACER
36	PK20M	KEY 5 X 5 X 15
37	P9933037	BUSHING
38	P9933038	WORM SHAFT
39	P9933039	GEAR HOUSING
40	PW03M	FLAT WASHER 6MM
41	PLW04M	LOCK WASHER 8MM
42	PB52M	HEX BOLT M6-1 X 35
43	PR46M	INT RETAINING RING 27MM
44	P6000ZZ	BALL BEARING 6000ZZ
45	P9933045	SPACER
46	PW02M	FLAT WASHER 5MM
47	PSB10M	CAP SCREW M5-.8 X 15
48	PB03M	HEX BOLT M8-1.25 X 16

REF	PART #	DESCRIPTION
49	PW01M	FLAT WASHER 8MM
50	P9933050	THRUST WASHER
51	P9933051	WORM GEAR
52	P9933052	THRUST WASHER
53	P9933053	WORM SHAFT
56	PW01M	FLAT WASHER 8MM
57	PLW04M	LOCK WASHER 8MM
58	PB20M	HEX BOLT M8-1.25 X 35
59	P9933059	LOCK PIN
60	PRP24M	ROLL PIN 5 X 16
61	P9933061	TENSION SPRING
62	P9933062	SUPPORT
63	PSB28M	CAP SCREW M6-1 X 15
64	P9933064	KNOB
65	PB09M	HEX BOLT M8-1.25 X 20
66	PW04M	FLAT WASHER 10MM
67	P9933067	MOTOR PIVOT SHAFT
68	P9933068	MOTOR SUPPORT
69	PB20M	HEX BOLT M8-1.25 X 35
70	PLW04M	LOCK WASHER 8MM
71	PW01M	FLAT WASHER 8MM
72	PN03M	HEX NUT M8-1.25
73	PB07M	HEX BOLT M8-1.25 X 25
74	PLW04M	LOCK WASHER 8MM
75	PW04M	FLAT WASHER 10MM
76	P9933076	ADJUSTABLE BRACKET
77	P9933077	LOCK LEVER
78	P9933078	MOTOR 3HP 220V 60HZ 1PH
78-1	P9933078-1	MOTOR FAN COVER
78-2	P9933078-2	MOTOR FAN
78-3	P9933078-3	CAPACITOR COVER
78-4	P9933078-4	S CAPACITOR 400M 125V 1-3/4 X 4
78-5	P9933078-5	MOTOR WIRING JUNCTION BOX
79	P9933079	MOTOR PULLEY
80	PW01M	FLAT WASHER 8MM
81	PVM28	V-BELT 3L280
112A	H0783	CUTTER SPINDLE ASSY 3/4"
145	PR11M	EXT RETAINING RING 25MM
146	P9933146	CUTTER SPINDLE 3/4"
147	P9933147	SPACER KIT 3/4"
148	P9933148	SPINDLE NUT 3/4"
149	P9933149	SPECIAL FLAT WASHER 12MM
150	PLW04	LOCK WASHER 3/8
151	PB18	HEX BOLT 3/8-16 X 1
229	P9933229	HEX WRENCH SET 1.5-10MM
230	PWR1113	WRENCH 11 X 13
231	PWR1719	WRENCH 17 X 19
232	P9933232	TOOLBOX



# Cabinet & Table

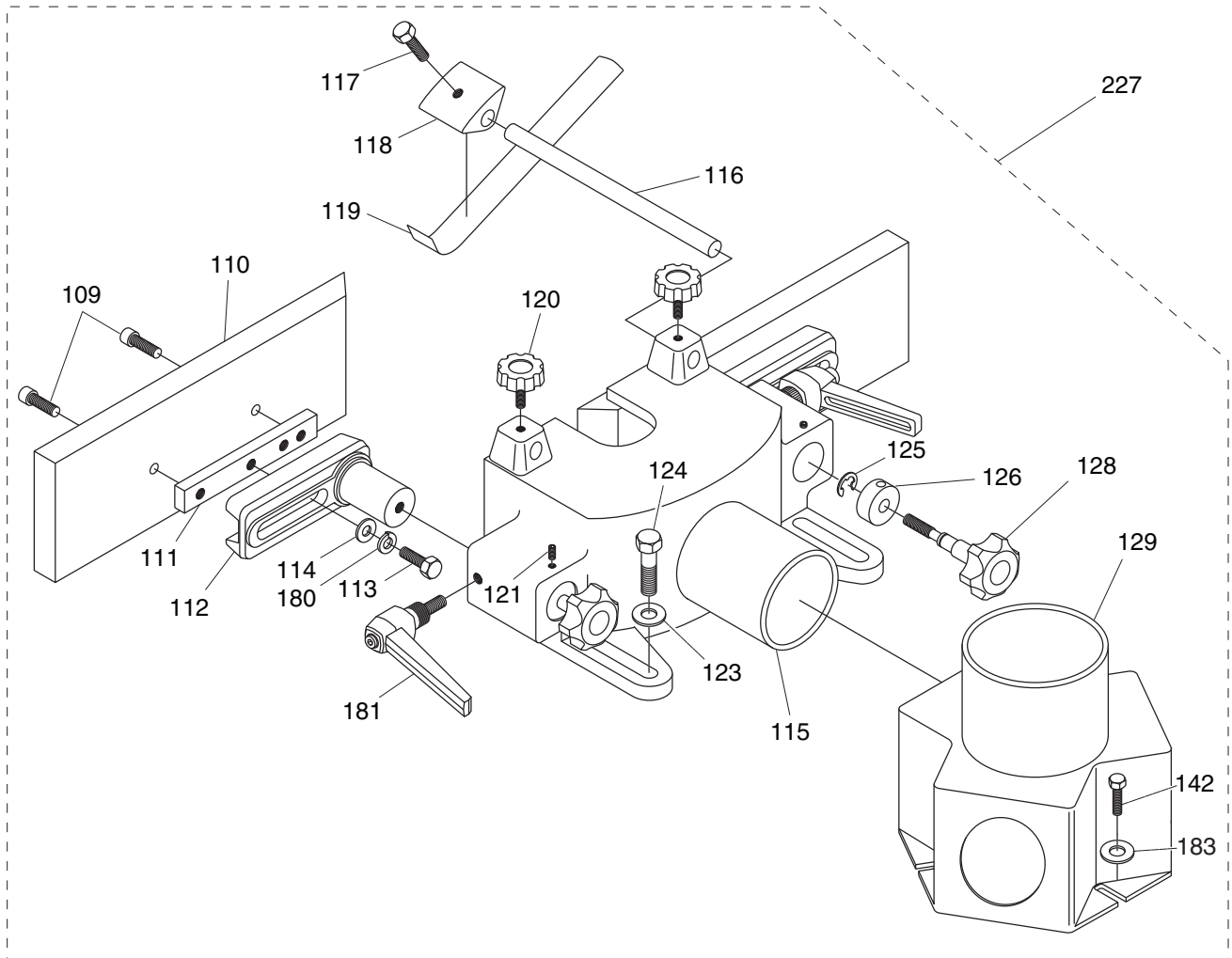


REF	PART #	DESCRIPTION
28	P9933028	STAR KNOB
29	P9933029	HANDLE
30	P9933030	HANDWHEEL
36A	P9933036A	MITER GAUGE ASSY
101	P9933101	CABINET FRAME
102	P9933102	LARGE DOOR
104	P9933104	SMALL DOOR
106	PN09M	HEX NUT M12-1.75
107	PW06M	FLAT WASHER 12MM
108	P9933108	STUD M12 X 70
122-1	P9933122-1	TABLE INSERT ASSEMBLY
134	P9933134	KNOB
135	PW01M	FLAT WASHER 8MM
136	P9933136	MITER GAUGE BODY
137	P9933137	SLIDE PLATE
138	P9933138	PIN 6 X 10
139	P9933139	TERMINAL BOARD COVER
140	P9933140	STUD 10-24 X 64MM
141	PW02M	FLAT WASHER 5MM
143	PSS31M	SET SCREW M5-.8 X 8
144	P9933144	TABLE
152	P9933152	INNER TABLE INSERT
153	P9933153	T-SLOT WASHER

REF	PART #	DESCRIPTION
154	PS09	PHLP HD SCR 1/4-20 X 1/4
155	P9933155	ANGLE INDICATOR
156	PS05M	PHLP HD SCR M5-.8 X 8
157	P9933157	SPECIAL BOLT M8-1.25 X 80
158	PN02	HEX NUT 5/16"-18
159	G9987	GRIZZLY OVAL NAMEPLATE
160	PHTEK15M	TAP SCREW M4 X 10
161	P9933161	COMPRESSION SPRING
162	PEC02M	E-CLIP 4MM
163	P9933163	DOOR HINGE PIN
164	P9933164	FORWARD/REVERSE SWITCH
165	P9933165	ON/OFF SWITCH
166	P9933166	HINGE PIN
173	P9933173	DOOR HANDLE
174	P9933174	STRAIN RELIEF
175	P9933175	RUBBER WASHER
176	PN07	HEX NUT 10-24
177	P9933177	TERMINAL BLOCK 9 POST
178	P9933178	STRAIN RELIEF
179	P9933179	CONTACTOR GTM-19A 220V
179A	P9933179A	OL RELAY GTH-20 12-18A
182	P9933182	MAGNETIC SWITCH BOX
226	P9933226	MAGNETIC SWITCH ASSEMBLY



# Fence & Guard Assembly

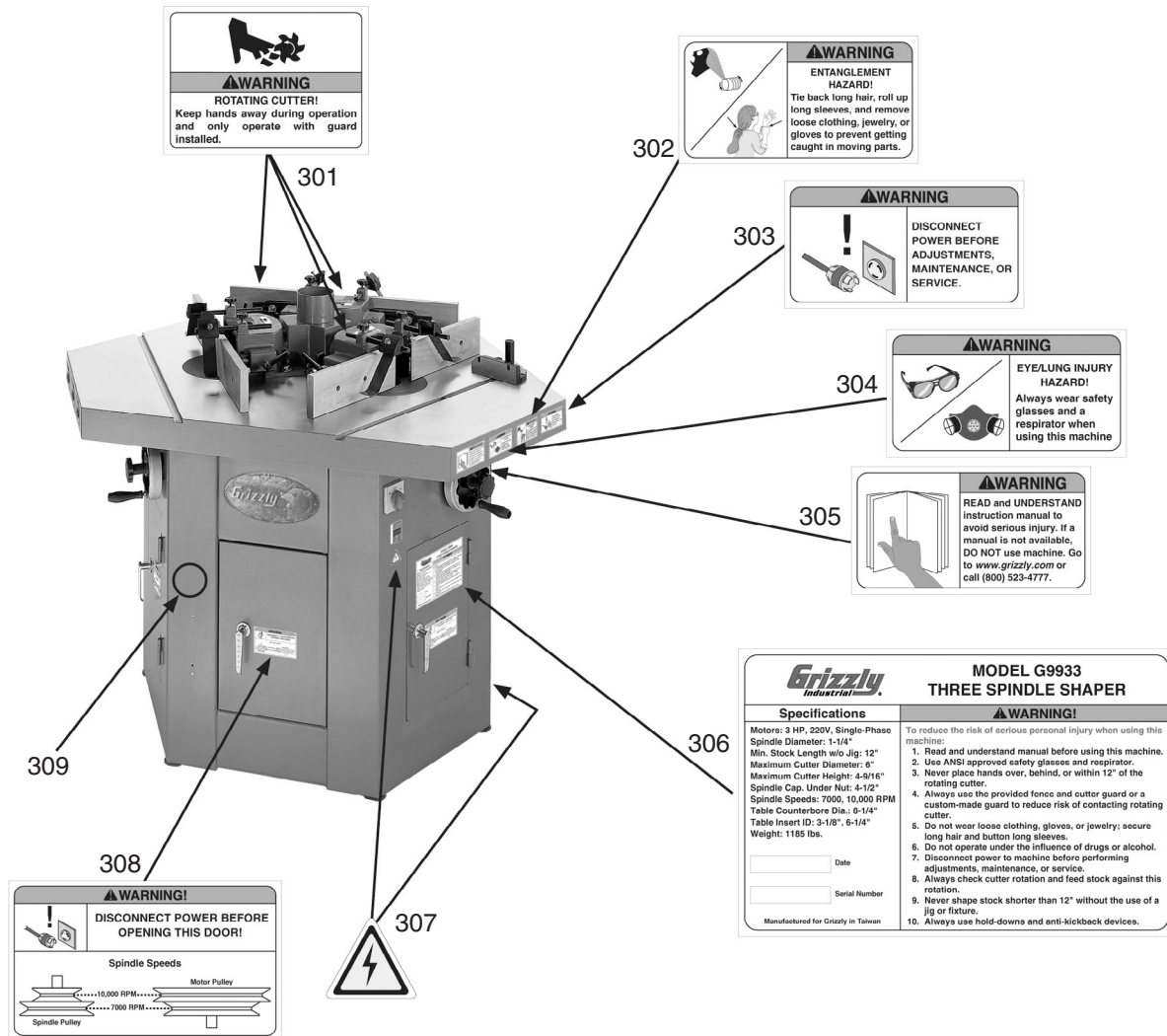


REF	PART #	DESCRIPTION
109	PSB14M	CAP SCREW M8-1.25 X 20
110	P9933110	FENCE BOARD
111	P9933111	FENCE RAIL
112	P9933112	FENCE MOUNT
113	PB07M	HEX BOLT M8-1.25 X 25
114	PW01M	FLAT WASHER 8MM
115	P9933115	SPINDLE GUARD
116	P9933116	HOLD-DOWN SHAFT
117	PB09M	HEX BOLT M8-1.25 X 20
118	P9933118	HOLD-DOWN SUPPORT
119	P9933119	HOLD-DOWN FINGER
120	P9933120	ADJUSTMENT KNOB

REF	PART #	DESCRIPTION
121	PSS03M	SET SCREW M6-1 X 8
123	PW04M	FLAT WASHER 10MM
124	PB32M	HEX BOLT M10-1.5 X 25
125	PEC03M	E-CLIP 10MM
126	P9933126	LOCK COLLAR
128	P9933128	KNOB WITH SPECIAL SCREW
129	P9933129	DUST HOOD
142	PB02M	HEX BOLT M6-1 X 12
180	PLW04M	LOCK WASHER 8MM
181	P9933077	LOCK LEVER
183	PW03M	FLAT WASHER 6MM
227	P9933227	FENCE & GUARD ASSEMBLY



# Label Placement



REF	PART #	DESCRIPTION
301	P9933301	CUTTER HAZARD LABEL
302	PLABEL-55B	ENTANGLEMENT HAZARD LABEL
303	PLABEL-63B	DISCONNECT POWER LABEL
304	PLABEL-57B	EYE/LUNG HAZARD LABEL
305	PLABEL-12B	READ MANUAL LABEL

REF	PART #	DESCRIPTION
306	P9933306	MACHINE ID LABEL
307	PLABEL-14	ELECTRICITY LABEL
308	P9933308	DISCONNECT POWER DOOR LABEL
309	PPAINT-1	GRIZZLY GREEN TOUCH-UP PAINT

## ⚠️ WARNING

Safety labels warn about machine hazards and ways to prevent injury. The owner of this machine **MUST** maintain the original location and readability of the labels on the machine. If any label is removed or becomes unreadable, **REPLACE** that label before using the machine again. Contact Grizzly at (800) 523-4777 or [www.grizzly.com](http://www.grizzly.com) to order new labels.

