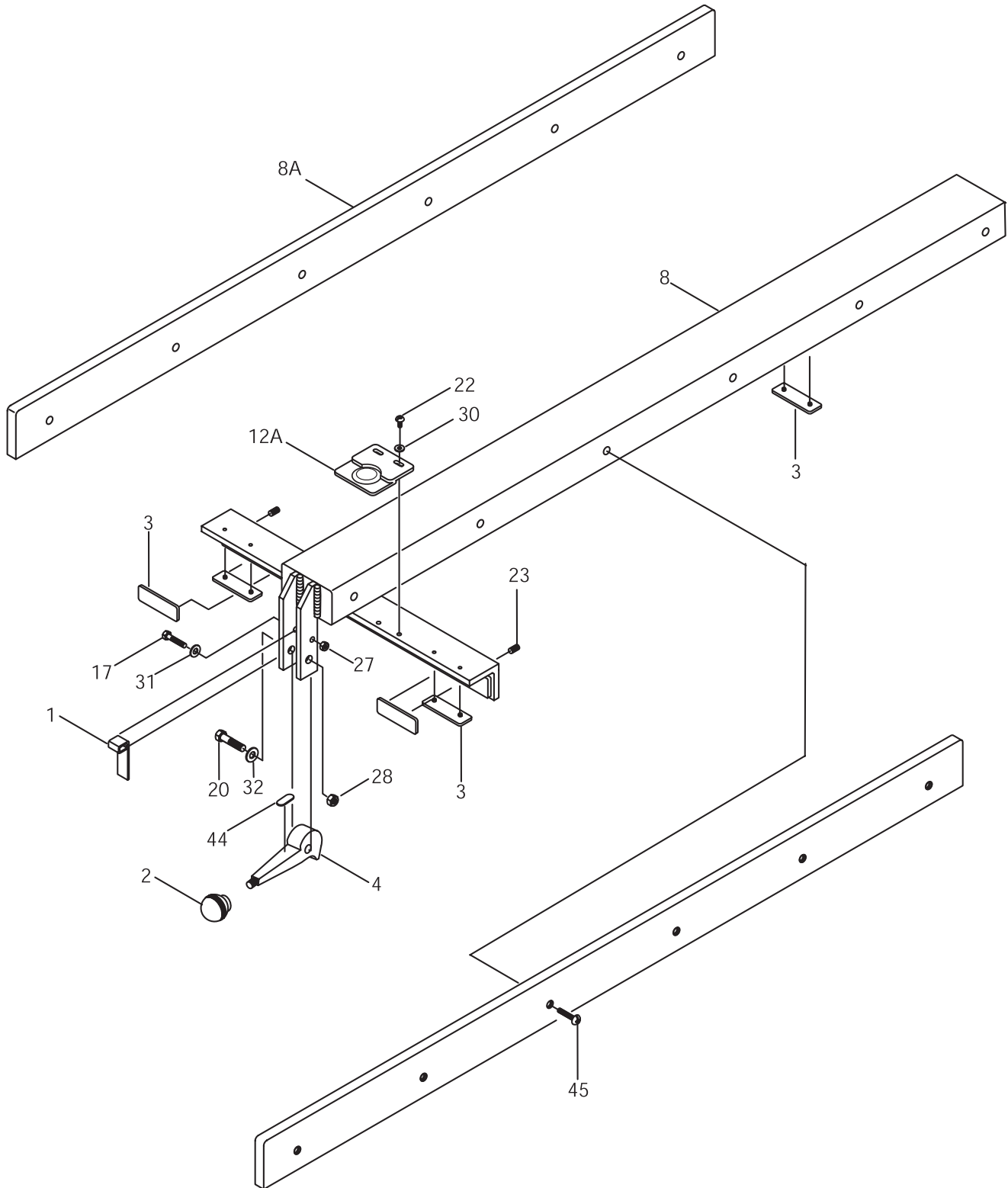
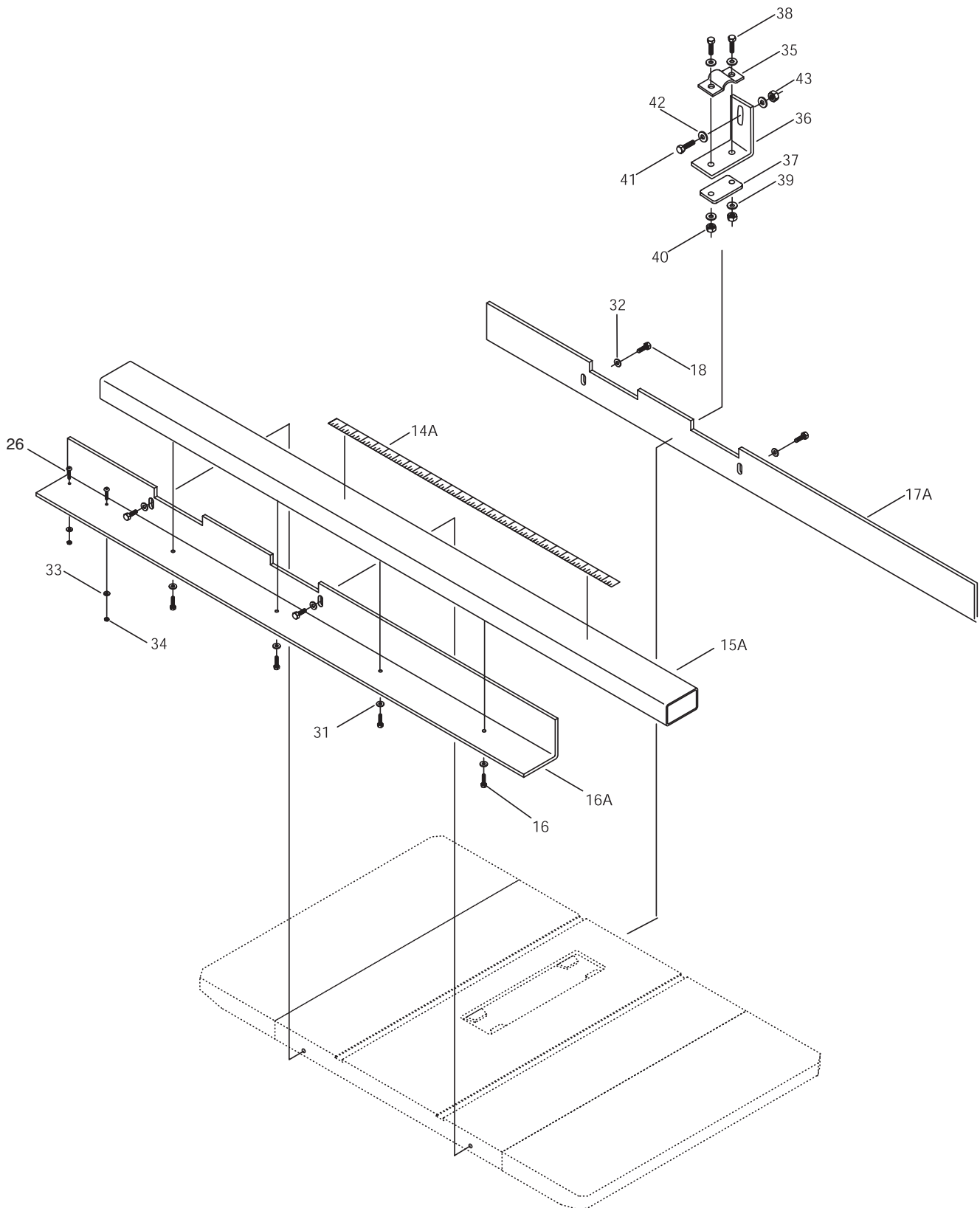


W2005 Fence Parts Diagram

NOTE: The W2006 is a combination of the W2005 Fence and the W2007 Legs and 7' Rails.

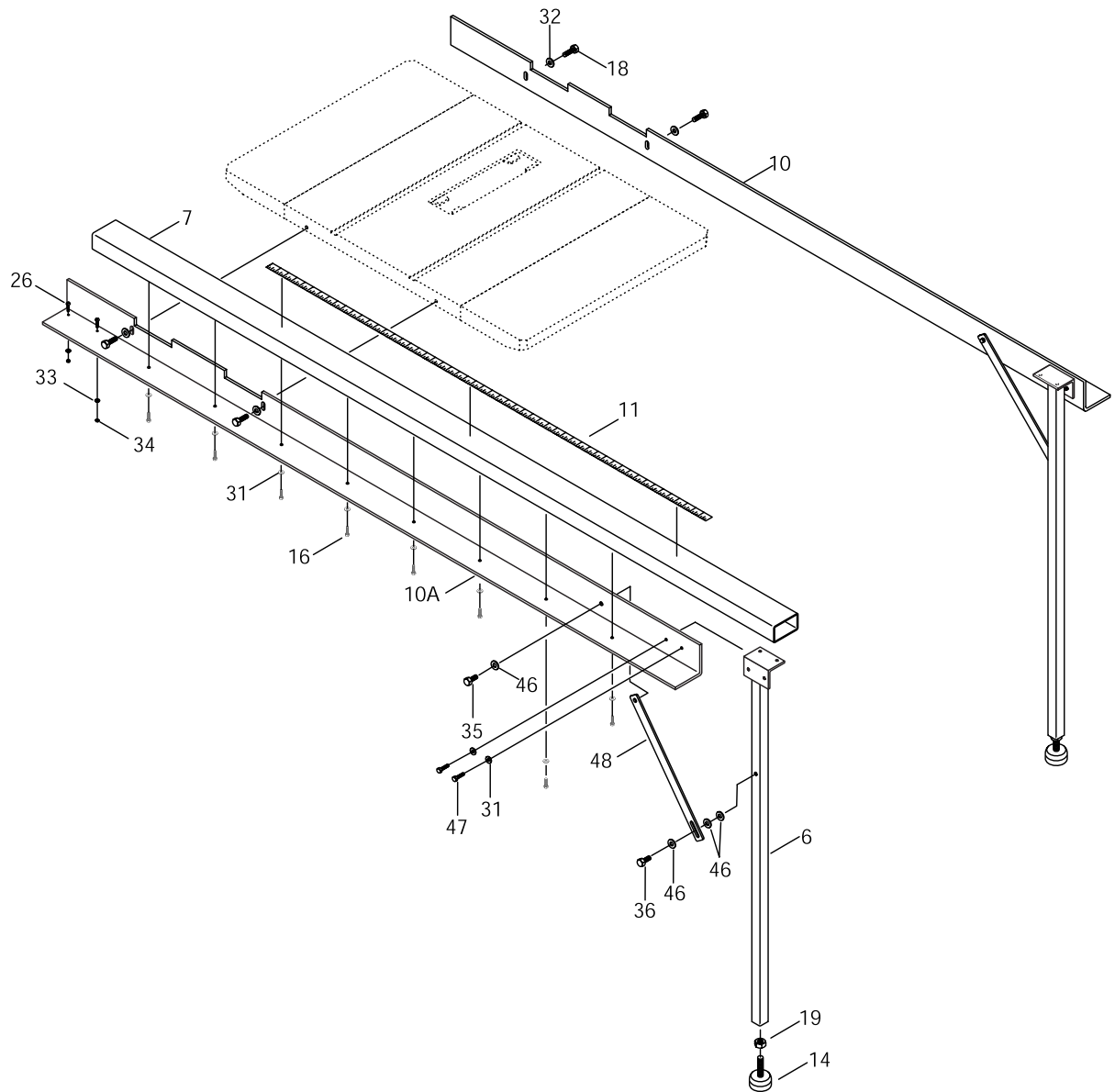


W2005 Standard Rail Parts Diagram



W2007 Leg and 7' Rail Parts Diagram

NOTE: The W2006 is a combination of the W2005 Fence and the W2007 Legs and 7' Rails.



W2005 Parts List

REF	PART #	DESCRIPTION
1	X2005001	FENCE LOCKING TAB
2	X2005002	KNOB
3	X2005003	BEARING PAD
4	X2005004	LOCKING LEVER
8	X2005008	FENCE BODY
8A	X2005008A	FENCE FACING
12A	X2005012A	MAGNIFIED CURSOR
14A	X2005014A	SCALE
15A	X2005015A	FRONT RAIL TUBE
16	XPB19	HEX BOLT 1/4-20 X 1/2
16A	X2005016A	FRONT RAIL SUPPORT
17	XPB88	HEX BOLT 1/4 - 20 X 1-3/4
17A	X2005017A	REAR RAIL
18	XPB18	HEX BOLT 3/8-16 X 1
20	XPB25	HEX BOLT 3/8-16 X 1-3/4
22	XPS06	PHLP HD SCR 10-24 X 3/8
23	X2005023	SET SCREW 3/8-16 X 5/16
26	XPFH21	FLAT HD SCR 10-24 X 3/4

REF	PART #	DESCRIPTION
27	XPLN02	LOCK NUT 1/4-20
28	XPLN01	LOCK NUT 3/8-16
30	XPW03	FLAT WASHER #10
31	XPW06	FLAT WASHER 1/4
32	XPW02	FLAT WASHER 3/8
33	XPW03	FLAT WASHER 1/4
34	XPN05	HEX NUT 1/4-20
35	X2005035	V-CLAMP
36	X2005036	L-BRACKET
37	X2005037	LOCKING PLATE
38	XPB26	HEX BOLT 1/4-20 X 1 1/2
39	XPW06	FLAT WASHER 1/4
40	XPN05	HEX NUT 1/4-20
41	XPB07	HEX BOLT 5/16-18 X 3/4
42	XPW07	FLAT WASHER 5/16
43	XPN02	HEX NUT 5/16-18
44	X2005044	MAGNET
45	XPS43	PHLP HD SCR 10-24 X 1/2

W2007 Parts List

REF	PART #	DESCRIPTION
6	X2007006	EXTENSION LEG
7	X2007007	FRONT RAIL TUBE
10	X2007010	REAR RAIL
10A	X2007010A	FRONT RAIL SUPPORT
11	X2007011	SCALE
14	X2007014	ADJUSTABLE FOOT
16	X2007016	HEX BOLT 1/4-20 X 3/4
18	XPB18	HEX BOLT 3/8-16 X 1
19	XPN34	HEX NUT 1/2-12
26	XPFH21	FLAT HD SCR 1/4-20 X 3/4

REF	PART #	DESCRIPTION
31	XPW06	FLAT WASHER 1/4
32	XPW02	FLAT WASHER 3/8
33	XPW06	FLAT WASHER 1/4
34	XPN05	HEX NUT 1/4-20
35	XPB65	HEX BOLT 3/8-16 X 5/8
36	XPB21	HEX BOLT 3/8-16 X 3/4
46	XPW02	FLAT WASHER 3/8
47	XPB19	HEX BOLT 1/4-20 X 1/2
48	X2007048	BRACE