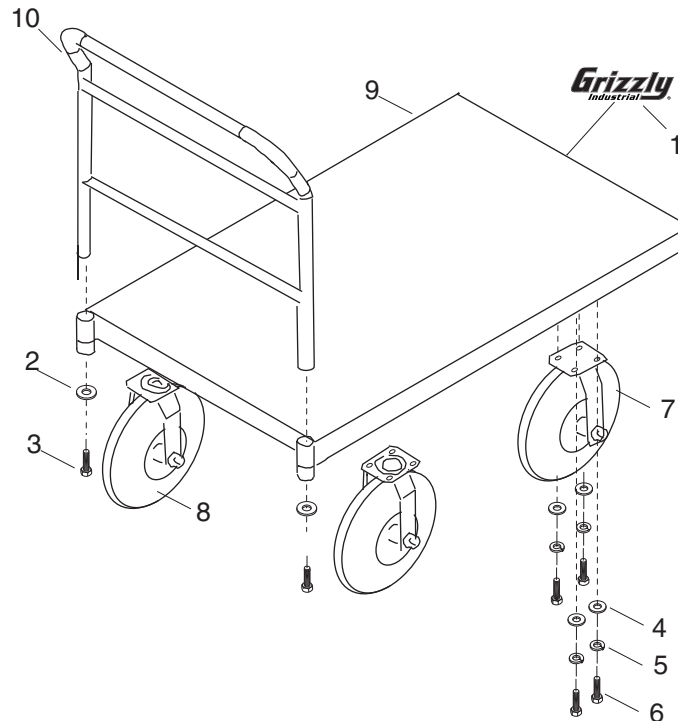


G8156 Parts Breakdown and List



	PART #	DESCRIPTION
1	P8156001	GRIZZLY LOGO STICKER
2	P8156002	FENDER WASHER 8MM
3	PB26M	HEX BOLT M8-1.25 X 30
4	PW04M	FLAT WASHER 10MM
5	PLW06M	LOCK WASHER 10MM
6	PB32M	HEX BOLT M10-1.5 X 25
7	P8156007	FIXED CASTER
8	P8156008	SWIVEL CASTER
9	P8156009	PLATFORM
10	P8156010	HANDLE

COPYRIGHT © FEBRUARY, 2005 BY GRIZZLY INDUSTRIAL, INC.
**WARNING: NO PORTION OF THIS MANUAL MAY BE REPRODUCED IN ANY SHAPE
OR FORM WITHOUT THE WRITTEN APPROVAL OF GRIZZLY INDUSTRIAL, INC.**
#BL6964 PRINTED IN CHINA