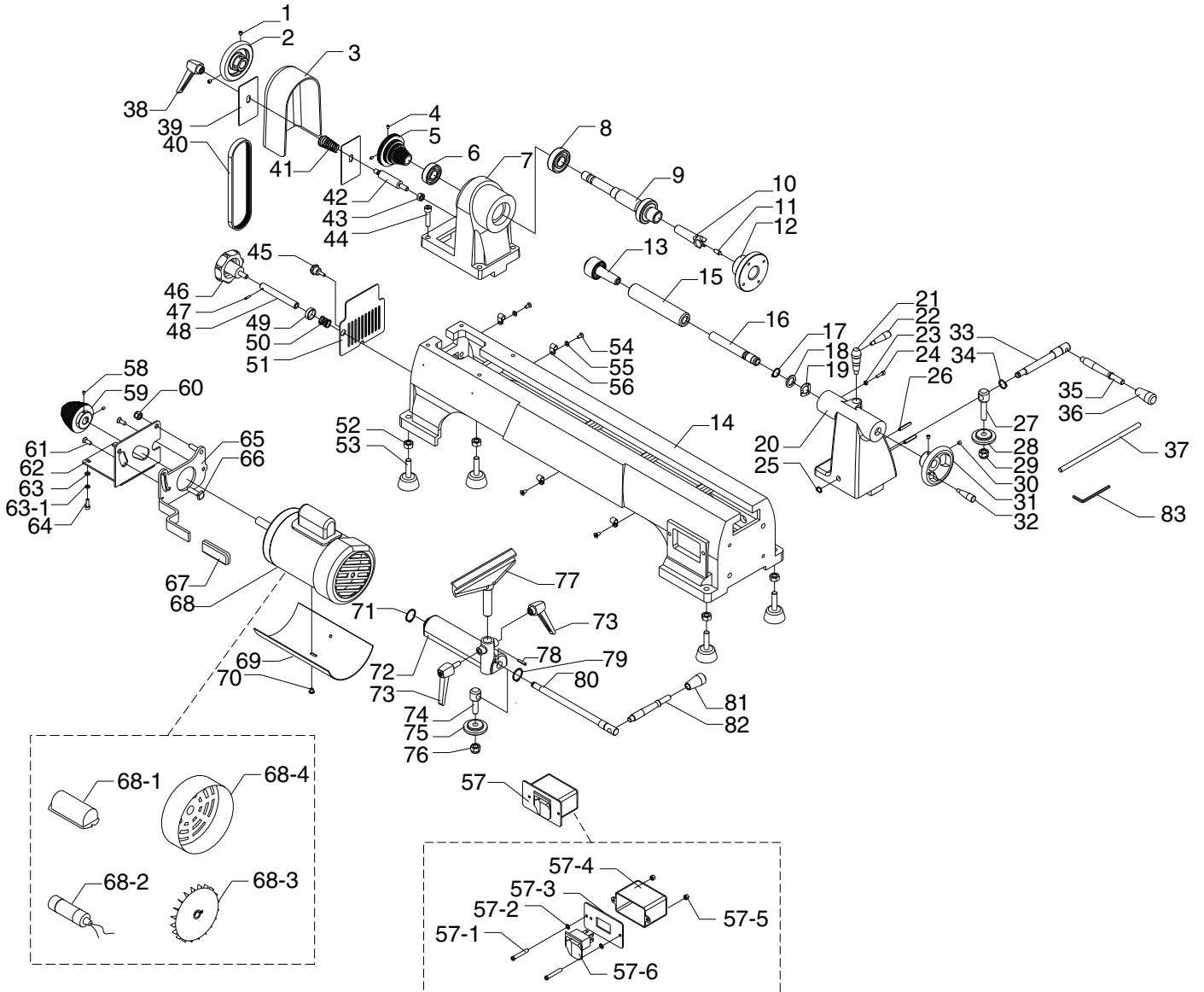


Parts Breakdown



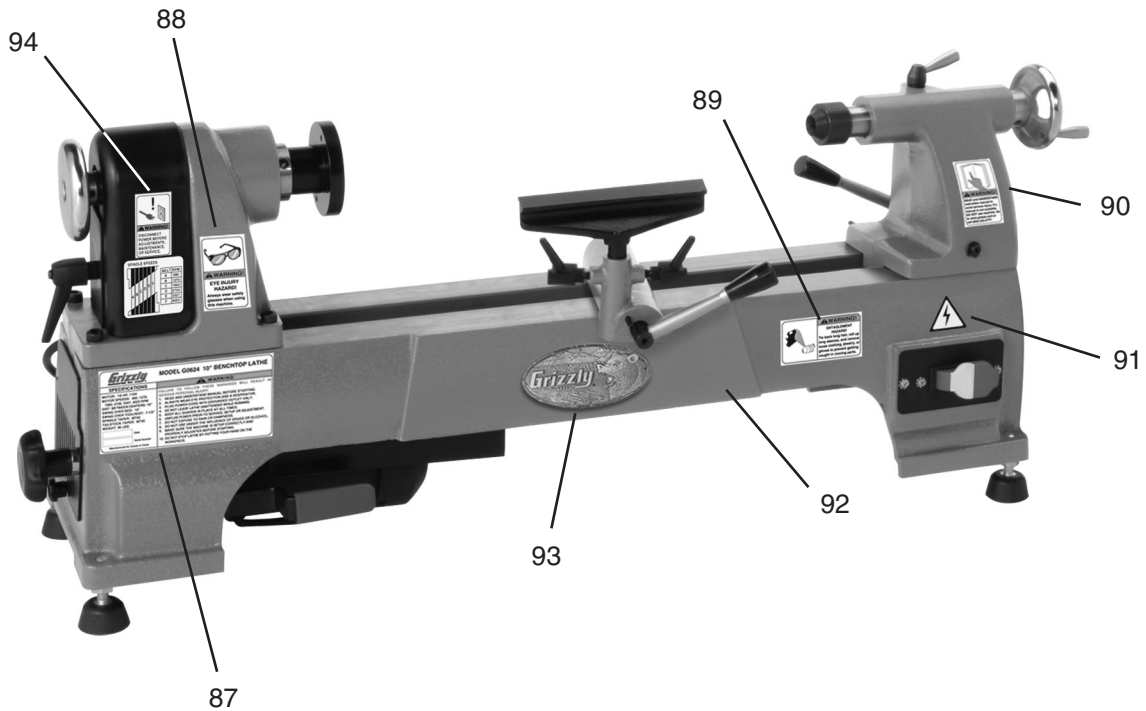
Parts List

REF	PART #	DESCRIPTION
1	PSS02M	SET SCREW M6-1 X 6
2	P0624002	HEADSTOCK HANDWHEEL
3	P0624003	PULLEY SAFETY COVER
4	PSS79M	SET SCREW M4-.7 X 6
5	P0624005	SPINDLE PULLEY
6	P6004	BALL BEARING 6004ZZ
7	P0624007	HEADSTOCK CASTING
8	P6005	BALL BEARING 6005ZZ
9	P0624009	SPINDLE
10	P0624010	SPUR CENTER MT#2
11	P0624011	INDEXED SPINDLE
12	P0624012	FACEPLATE 3"
13	P0624013	LIVE CENTER MT#2
14	P0624014	BEDWAY
15	P0624015	TAILSTOCK QUILL
16	P0624016	TAILSTOCK LEAD SCREW
17	PR05M	EXT RETAINING RING 15MM
18	PW14M	FLAT WASHER 15MM
19	P0624019	RUBBER COLLAR
20	P0624020	TAILSTOCK CASTING
21	P0624021	ECCENTRIC SHAFT
22	P0624022	QUILL LOCK HANDLE
23	PN04M	HEX NUT M4-.7
24	PSB16M	CAP SCREW M4-.7 X 16
25	PR01M	EXT RETAINING RING 10MM
26	PRP05M	ROLL PIN 5 X 30
27	P0624027	ADJUST SHAFT
28	P0624028	SLIDE COLLAR
29	PLN05M	LOCK NUT M10-1.5
30	PSS02M	SET SCREW M6-1 X 6
31	P0624031	TAILSTOCK HANDWHEEL
32	P0624032	QUILL HANDWHEEL HANDLE
33	P0624033	ECCENTRIC SHAFT
34	PR06M	EXT RETAINING RING 16MM
35	P0624035	TAILSTOCK RELEASE LEVER
36	P0624036	LEVER KNOB
37	P0624037	KNOCK OUT BAR
38	P0624038	LOCK HANDLE
39	P0624039	GUARD PLATE
40	P0624040	ULTR-FLEX BELT 7 X 3.4 X 600MM
41	P0624041	COMPRESSION SPRING
42	P0624042	THREADED SHAFT
43	PN03M	HEX NUT M8-1.25
44	PSB40M	CAP SCREW M8-1.25 X 35
45	P0624045	THUMB SCREW M5-.8 X 15
46	P0624046	BELT TENSION LOCK KNOB
47	PRP61M	ROLL PIN 3 X 12

REF	PART #	DESCRIPTION
48	P0624048	SHAFT
49	P0624049	SPACER 18MM
50	P0624050	COMPRESSION SPRING
51	P0624051	LOWER PULLEY ACCESS PLATE
52	PN08	HEX NUT 3/8-16
53	P0624053	RUBBER FOOT
54	PS09M	PHLP HD SCR M5-.8 X 10
55	PW02M	FLAT WASHER 5MM
56	P0624056	WIRE CLAMP
57	P0624057	SWITCH
57-1	PS10	PHLP HD SCR 10-24 X 1-1/2
57-2	PTLW02M	EXT TOOTH WASHER 5MM
57-3	P0624057-3	SWITCH PLATE
57-4	P0624057-4	SWITCH BOX
57-5	PN07	HEX NUT 10-24
57-6	P0624057-6	SWITCH W/SAFETY KEY
58	PSS79M	SET SCREW M4-.7 X 6
59	P0624059	MOTOR PULLEY
60	PLN04M	LOCK NUT M8-1.25
61	PS11M	PHLP HD SCR M6-1 X 16
62	P0624062	MOTOR PLATE
63	PW02M	FLAT WASHER 5MM
63-1	PLW01M	LOCK WASHER 5MM
64	PSB10M	CAP SCREW M5-.8 X 15
65	P0624065	TENSION BRACKET
66	P0624066	SQUARE HEAD BOLT
67	P0624067	RUBBER SLEEVE
68	P0624068	MOTOR
68-1	P0624068-1	CAPACITOR COVER
68-2	P0624068-2	CAPACITOR 25MFD 250VAC
68-3	P0624068-3	FAN
68-4	P0624068-4	FAN COVER
69	P0624069	DUST GUARD
70	P0624070	LOCTITE SCREW 10-24 X 6
71	PR01M	EXT RETAINING RING 10MM
72	P0624072	TOOL POST BASE
73	P0624073	TOOL REST LOCK HANDLE M6-1
74	P0624074	ADJUST SHAFT
75	P0624075	SLIDE COLLAR
76	PLN05M	LOCK NUT M10-1.5
77	P0624077	TOOL REST
78	PRP39M	ROLL PIN 4 X 20
79	PR02M	EXT RETAINING RING 14MM
80	P0624080	ECCENTRIC SHAFT
81	P0624081	LEVER KNOB
82	P0624082	TOOL REST RELEASE LEVER
83	PAW02.5M	HEX WRENCH 2.5MM



Warning Labels Parts List



REF	PART #	DESCRIPTION
87	P0624087	MACHINE ID LABEL
88	P0624088	SAFETY GLASSES LABEL 1-1/2" X 2-1/2"
89	P0624089	ENTANGLEMENT HAZARD LABEL
90	P0624090	READ MANUAL LABEL 1-1/2" X 2-1/2"
91	PLABEL-14	ELECTRICITY LABEL
92	PPAINT-1	GRIZZLY GREEN PAINT
93	G9987	GRIZZLY MINI NAME PLATE
94	P0624094	DISCONNECT POWER-SPINDLE SPEEDS LABEL

WARNING

Safety labels warn about machine hazards and ways to prevent injury. The owner of this machine **MUST** maintain the original location and readability of the labels on the machine. If any label is removed or becomes unreadable, **REPLACE** that label before using the machine again. Contact Grizzly at (800) 523-4777 or www.grizzly.com to order new labels.

