



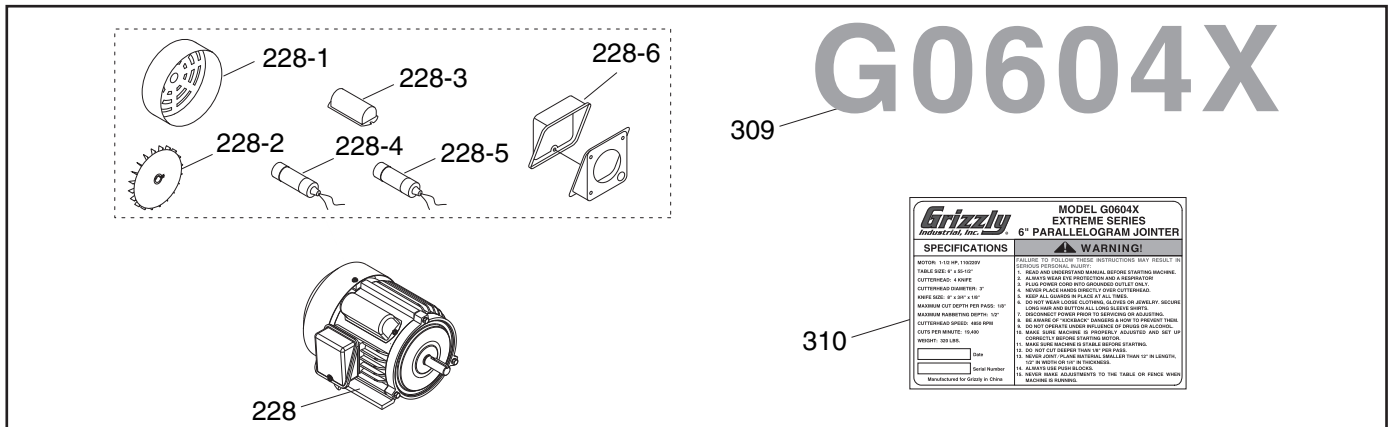
MODEL G0604X 6" EXTREME SERIES PARALLELOGRAM JOINTER MANUAL INSERT

The Model G0604X is the same as the Model G0604, except it has a 1½ HP 110/220V motor. Besides the data sheet, parts, and wiring diagram in this insert, the content in the Model G0604 owner's manual is the same for both machines. Before operating your new machine, you **MUST** read and understand this insert and the entire Model G0604 manual to reduce the risk of injury from improper use or setup.

The circuit requirements for the Model G0604X are as follows: If operated at 110V, we recommend connecting your machine to a 20 amp circuit. We do not recommend using an extension cord with your machine, but if you must use an extension cord at 110V, use at least a 12 gauge cord that is not longer than 50 ft. If operated at 220V, we recommend connecting your machine to a 15 amp circuit, using a 6-15 plug. If you must use an extension cord at 220V, use at least a 14 gauge cord that is not longer than 50 ft. Read **SECTION 2: CIRCUIT REQUIREMENTS** in the G0604 manual for all applicable warnings.

The parts shown below are the only parts that are different from the G0604. Keep this sheet so you can order the specific G0604X parts if you need to; otherwise, use the G0604 manual to order other parts.

If you have any further questions about this manual insert or the differences between the Model G0604X and the Model G0604, contact our Technical Support at (570) 546-9663 or email techsupport@grizzly.com.

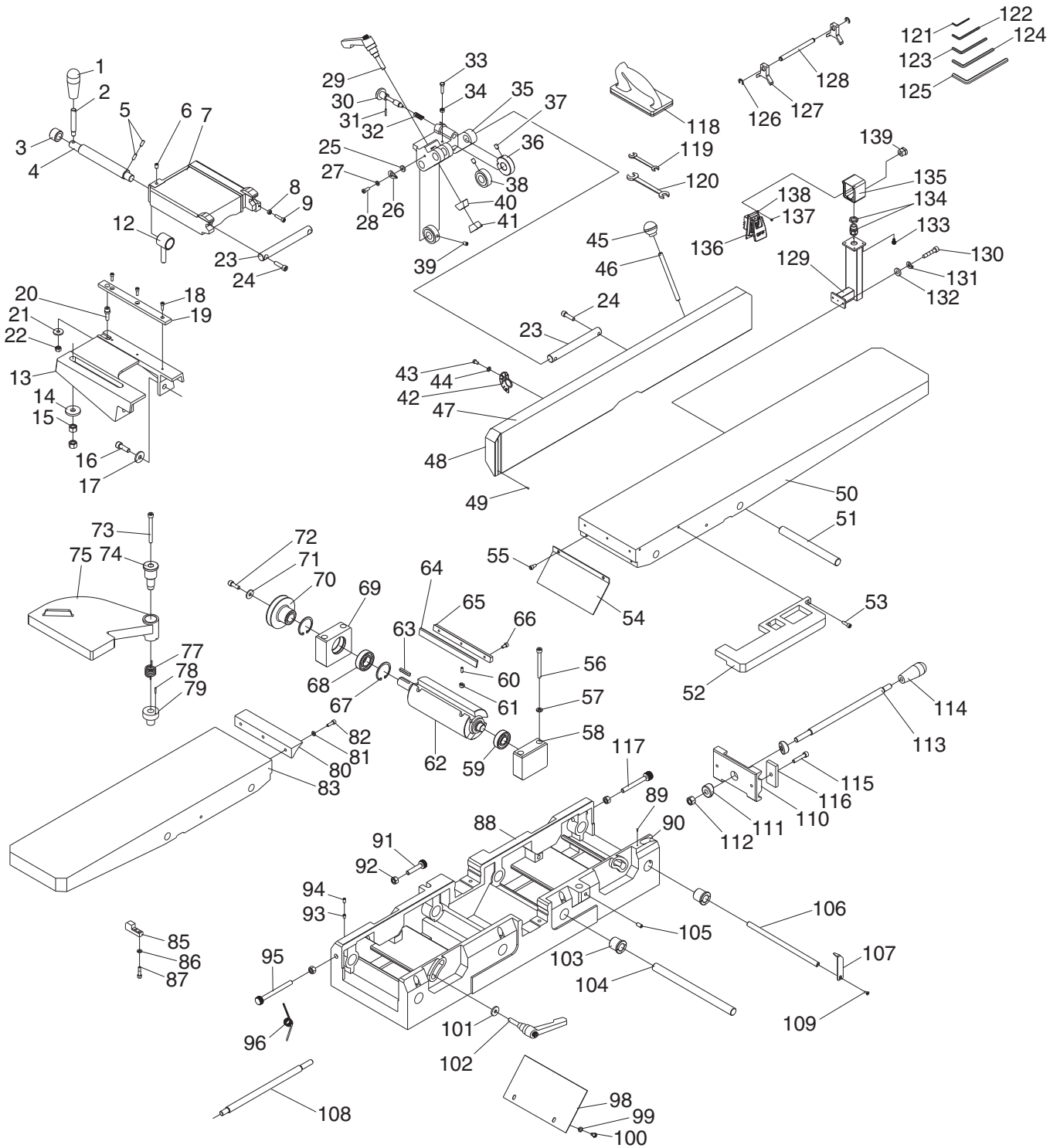


REF	PART #	DESCRIPTION
228	P0604X228	MOTOR 1.5 HP 110V/220V
228-1	P0604X228-1	FAN COVER
228-2	P0604X228-2	MOTOR FAN
228-3	P0604X228-3	CAPACITOR COVER
228-4	P0604X228-4	S. CAPACITOR 300MFD 125VAC

REF	PART #	DESCRIPTION
228-5	P0604X228-5	R. CAPACITOR 40MFD 250VAC
228-6	P0604X228-6	WIRING BOX
309	P0604X309	MODEL # LABEL
310	P0604X310	MACHINE ID LABEL

COPYRIGHT © MARCH, 2007 BY GRIZZLY INDUSTRIAL, INC. REVISED APRIL, 2007.
WARNING: NO PORTION OF THIS MANUAL MAY BE REPRODUCED IN ANY SHAPE OR FORM WITHOUT THE WRITTEN APPROVAL OF GRIZZLY INDUSTRIAL, INC.
 #TR9128 PRINTED IN CHINA

Jointer Parts Breakdown



Jointer Parts List

REF	PART #	DESCRIPTION
1	P0604001	HANDLE
2	P0604002	STUD
3	P0604003	BUSHING
4	P0604004	SHAFT
5	PSS11M	SET SCREW M6-1 X 16
6	PSS16M	SET SCREW M8-1.25 X 10
7	P0604007	CARRIAGE
8	PN01M	HEX NUT M6-1
9	PSB06M	CAP SCREW M6-1 X 25
12	P0604012	COLLAR
13	P0604013	SUPPORT
14	PW06M	FLAT WASHER 12MM
15	PN09M	HEX NUT M12-1.75
16	PSB72M	CAP SCREW M10-1.5 X 30
17	PW04M	FLAT WASHER 10MM
18	PSB24M	CAP SCREW M5-.8 X 16
19	P0604019	GIB
20	P0604020	ECCENTRIC
21	PW01M	FLAT WASHER 8MM
22	PN03M	HEX NUT M8-1.25
23	P0604023	SHAFT
24	PSB13M	CAP SCREW M8-1.25 X 30
25	PW03M	FLAT WASHER 6MM
26	P0604026	POINTER
27	PW03M	FLAT WASHER 6MM
28	PSB115M	BUTTON HD CAP SCR M6-1 X 16
29	P0604029	ADJUSTABLE HANDLE
30	P0604030	INDEX PIN ASSY
31	PRP42M	ROLL PIN 3 X 20
32	P0604032	COMPRESSION SPRING
33	PB10M	HEX BOLT M6-1 X 25
34	PN01M	HEX NUT M6-1
35	P0604035	SWIVEL
36	P0604036	COLLAR
37	PSS16M	SET SCREW M8-1.25 X 10
38	P0604038	LOCK
39	PSS14M	SET SCREW M8-1.25 X 12
40	P0604040	CLAMP
41	P0604041	CLAMP
42	P0604042	SCALE

REF	PART #	DESCRIPTION
43	PS68M	PHLP HD SCR M6-1 X 10
44	PW03M	FLAT WASHER 6MM
45	P0604045	BALL HANDLE
46	P0604046	STUD
47	P0604047	FENCE
48	P0604048	SCALE
49	P0604049	RIVET
50	P0604050	TABLE RH
51	P0604051	TABLE SHAFT
52	P0604052	RABBETING TABLE EXT
53	PSB02M	CAP SCREW M6-1 X 20
54	P0604054	CHIP DEFLECTOR
55	PSB33M	CAP SCREW M5-.8 X 12
56	PSB148M	CAP SCREW M8-1.25 X 80
57	PLW04M	LOCK WASHER 8MM
58	P0604058	BEARING BLOCK LEFT
59	P6004	BALL BEARING 6004ZZ
60	PSS34M	SET SCREW M5-.8 X 16
61	P0604061	KNIFE LIFTER SPRING
62	P0604062	CUTTERHEAD
63	PK74M	KEY 6 X 6 X 35
64	P0604064	SET OF (3) KNIVES
65	P0604065	KNIFE GIB
66	P0604066	GIB BOLT
67	PR24M	INT RETAINING RING 42MM
68	P6004	BALL BEARING 6004ZZ
69	P0604069	BEARING BLOCK RIGHT
70	P0604070	CUTTERHEAD PULLEY
71	PW01M	FLAT WASHER 8MM
72	PSB31M	CAP SCREW M8-1.25 X 25
73	PSB148M	CAP SCREW M8-1.25 X 80
74	P0604074	GUARD CLAMP
75	P0604075	CUTTERHEAD GUARD
77	P0604077	TORSION SPRING
78	PRP02M	ROLL PIN 3 X 16
79	P0604079	SUPPORT
80	P0604080	TABLE LIP
81	PW02M	FLAT WASHER 5MM
82	PSB24M	CAP SCREW M5-.8 X 16
83	P0604083	TABLE LH



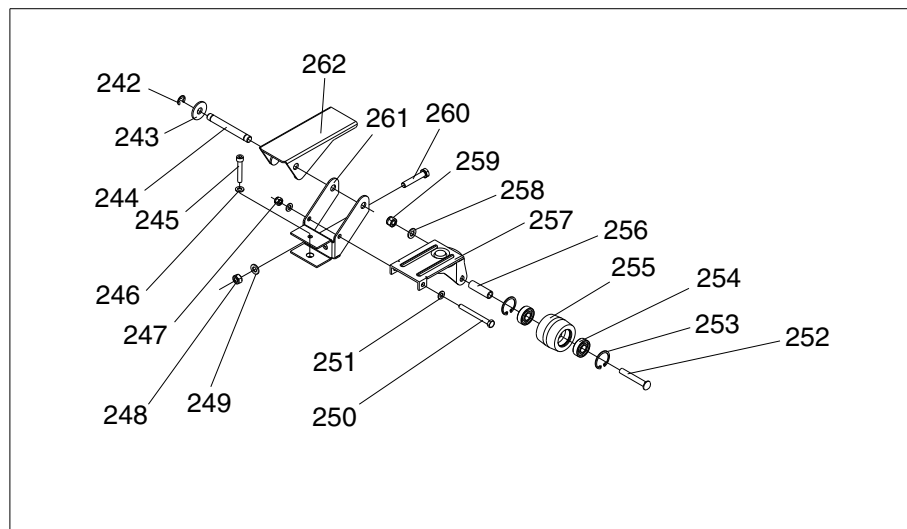
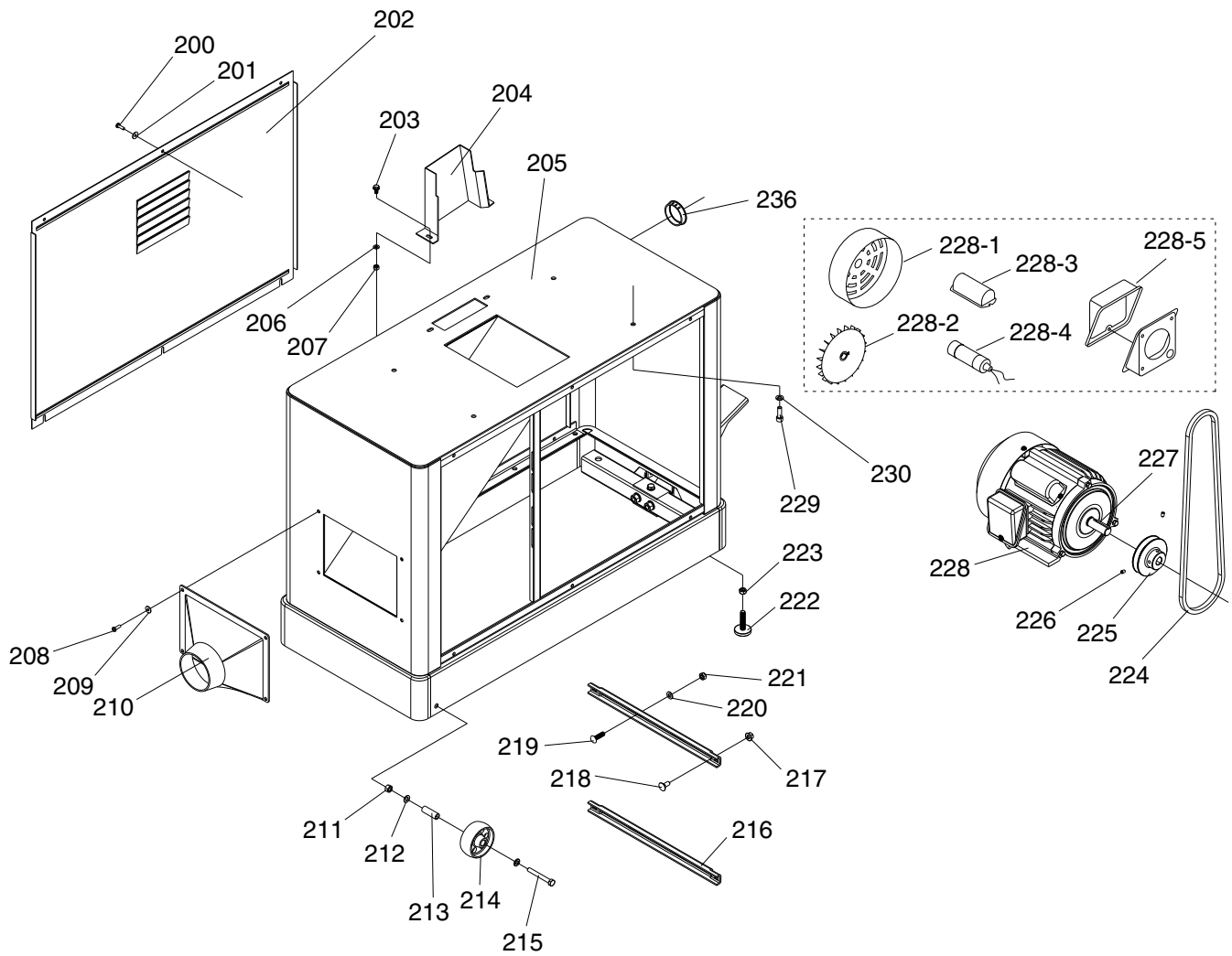
Jointer Parts List

REF	PART #	DESCRIPTION
85	P0604085	BUMPER
86	PW03M	FLAT WASHER 6MM
87	PSB07M	CAP SCREW M6-1 X 30
88	P0604088	BASE
89	P0604089	RIVET
90	P0604090	SCALE
91	P0604091	ADJUSTMENT SCREW
92	PN02M	HEX NUT M10-1.5
93	PSS01M	SET SCREW M6-1 X 10
94	PSS01M	SET SCREW M6-1 X 10
95	P0604095	ADJUSTMENT SCREW
96	P0604096	EXTENSION SPRING
98	P0604098	CHIPBREAKER
99	PW03M	FLAT WASHER 6MM
100	PB02M	HEX BOLT M6-1 X 12
101	PW01M	FLAT WASHER 8MM
102	P0604102	ADJUSTABLE HANDLE
103	P0604103	ECCENTRIC BUSHING
104	P0604104	TABLE SHAFT
105	PSS14M	SET SCREW M8-1.25 X 12
106	P0604106	TABLE SHAFT
107	P0604107	POINTER
108	P0604108	LEVER
109	PFH07M	FLAT HD SCR M5-.8 X 10
110	P0604110	PIVOT BRACKET
111	P0604111	ADJUSTING BLOCK
112	PN09M	HEX NUT M12-1.75

REF	PART #	DESCRIPTION
113	P0604113	LEVER
114	P0604114	HANDLE
115	PSB12M	CAP SCREW M8-1.25 X 40
116	P0604116	CLAMP PLATE
117	P0604117	MEDIUM ADJUSTMENT SCR
118	P0604118	PUSH BLOCK
119	P0604119	OPEN END WRENCH 8/10MM
120	P0604120	OPEN END WRENCH 12/14MM
121	PAW02.5M	HEX WRENCH 2.5MM
122	PAW04M	HEX WRENCH 4MM
123	PAW05M	HEX WRENCH 5MM
124	PAW06M	HEX WRENCH 6MM
125	PAW08M	HEX WRENCH 8MM
126	PEC015M	E-CLIP 8MM
127	P0604127	KNIFE GAUGE BLOCK
128	P0604128	KNIFE GAUGE ROD 120MM
129	P0604129	SWITCH PEDESTAL
130	PSB31M	CAP SCREW M8-1.25 X 25
131	PLW04M	LOCK WASHER 8MM
132	PW01M	FLAT WASHER 8MM
133	P0604133	FLANGE BOLT M6-1 X 16
134	P0604134	BALL STRAIN RELIEF 13.5MM
135	P0604135	SWITCH BOX
136	P0604136	SWITCH ASSEMBLY'
137	PHTEK4M	TAP SCREW M4 X 8
138	P0604138	SWITCH BRACKET
139	P0604139	STRAIN RELIEF



Stand/Motor Parts Breakdown



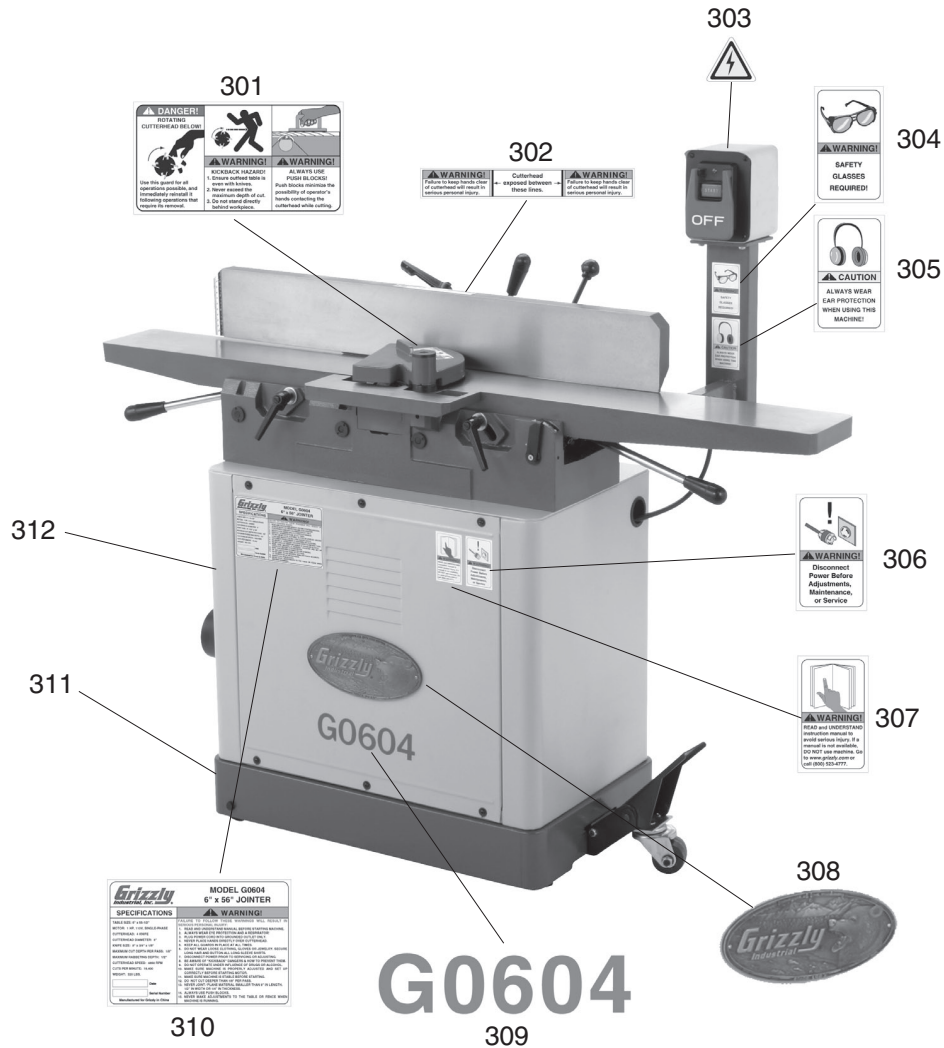
Stand/Motor Parts List

REF	PART #	DESCRIPTION
200	PS40M	PHLP HD SCR M5-.8 X 16
201	PW02M	FLAT WASHER 5MM
202	P0604202	PANEL
203	PFS02M	FLANGE SCREW M6-1 X 12
204	P0604204	BELT GUARD
205	P0604205	CABINET STAND
206	PW03M	FLAT WASHER 6MM
207	PN01M	HEX NUT M6-1
208	PS40M	PHLP HD SCR M5-.8 X 16
209	PW02M	FLAT WASHER 5MM
210	P0604210	DUST PORT
211	PN03M	HEX NUT M8-1.25
212	PW01M	FLAT WASHER 8MM
213	P0604213	SLEEVE
214	P0604214	WHEEL
215	PB86M	HEX BOLT M8-1.25 X 65
216	P0604216	MOTOR BRACKET
217	P0604217	FLANGE NUT 5/16-18
218	PCB05	CARRIAGE BOLT 5/16-18 X 3/4
219	PCB11	CARRIAGE BOLT 5/16-18 X 1
220	PW07	FLAT WASHER 5/16
221	P0604221	FLANGE NUT 5/16-18
222	P0604222	FOOT
223	PN08	HEX NUT 3/8-16
224	PVA40	V-BELT A-40 4L400
225	P0604225	MOTOR PULLEY
226	PSS02M	SET SCREW M6-1 X 6
227	PK12M	KEY 5 X 5 X 30
228	P0604228	MOTOR 1HP

REF	PART #	DESCRIPTION
228-1	P0604228-1	FAN COVER
228-2	P0604228-2	MOTOR FAN
228-3	P0604228-3	CAPACITOR COVER
228-4	P0604228-4	CAPACITOR 200MFD 125VAC
228-5	P0604228-5	WIRING BOX
229	PSB31M	CAP SCREW M8-1.25 X 25
230	PLW04M	LOCK WASHER 8MM
236	P0604236	STRAIN RELIEF
242	PR16M	EXT RETAINING RING 9MM
243	P0604243	SPECIAL WASHER 13MM
244	P0604244	SHAFT
245	PSB05M	CAP SCREW M8-1.25 X 50
246	PW01M	FLAT WASHER 8MM
247	PN03M	HEX NUT M8-1.25
248	PN02M	HEX NUT M10-1.5
249	PW04M	FLAT WASHER 10MM
250	PB45M	HEX BOLT M8-1.25 X 100
251	PW01M	FLAT WASHER 8MM
252	P0604252	SPECIAL BOLT
253	PR21M	INT RETAINING RING 35MM
254	P0604254	BALL BEARING 6202Z
255	P0604255	TROLLEY WHEEL
256	P0604256	SLEEVE
257	P0604257	TROLLEY BRACKET
258	PW04M	FLAT WASHER 10MM
259	PN02M	HEX NUT M10-1.5
260	PB144M	HEX BOLT M10-1.5 X 55
261	P0604261	PEDAL BRACKET
262	P0604262	PEDAL



Warning Label Parts List



REF	PART #	DESCRIPTION
301	PLABEL-29	CUTTERHEAD GUARD LABEL
302	P0604302	CUTTERHEAD WARNING LABEL
303	PLABEL-14	ELECTRICITY LABEL
304	P0604304	SAFETY GLASSES LABEL
305	P0604305	EAR PROTECTION LABEL
306	P0604306	DISCONNENCT POWER LABEL

REF	PART #	DESCRIPTION
307	P0604307	READ MANUAL LABEL
308	P0604308	GRIZZLY NAMEPLATE
309	P0604309	MODEL # LABEL
310	P0604310	MACHINE ID LABEL
311	P0604311	"GRIZZLY GREEN" TOUCH-UP PAI
312	P0604312	"PUTTY" TOUCH-UP PAINT

WARNING

Safety labels warn about machine hazards and ways to prevent injury. The owner of this machine **MUST** maintain the original location and readability of the labels on the machine. If any label is removed or becomes unreadable, **REPLACE** that label before using the machine again. Contact Grizzly at (800) 523-4777 or www.grizzly.com to order new labels.

