

READ THIS FIRST



For questions or help with this product contact Tech Support at (570) 546-9663 or techsupport@grizzly.com

Models G0453, G0453Z,
G0454, G0454Z

*****IMPORTANT UPDATE*****

For Machines Mfd. Since 09/17
and Owner's Manuals Revised 11/12

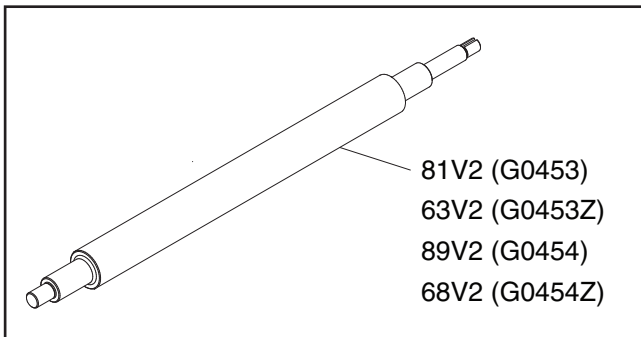
The following change was recently made to these machines since the owner's manuals were printed:

- Outfeed roller changed from serrated steel to rubber.

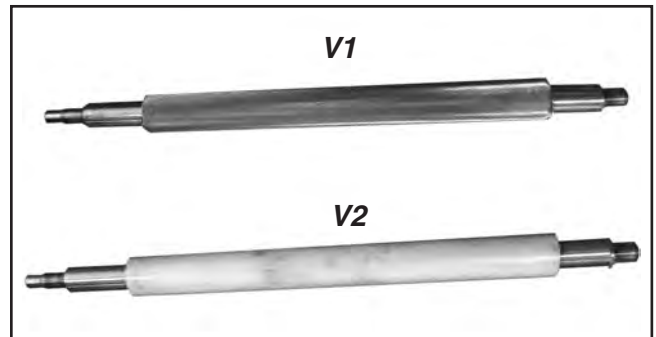
Aside from this information, all other content in the owner's manual applies and **MUST** be read and understood for your own safety. **IMPORTANT: Keep this update with the owner's manual for future reference.**

For questions or help, contact our Tech Support at (570) 546-9663 or techsupport@grizzly.com.

V2 Outfeed Roller



V1 & V2 Outfeed Roller Photos



| REF | PART # | DESCRIPTION |
|------|-------------|---|
| 81V2 | P0453081V2 | OUTFEED ROLLER (RUBBER) V2.09.17 (G0453) |
| 63V2 | P0453Z063V2 | OUTFEED ROLLER (RUBBER) V2.09.17 (G0453Z) |
| 89V2 | P0454089V2 | OUTFEED ROLLER (RUBBER) V2.09.17 (G0454) |
| 68V2 | P0454Z068V2 | OUTFEED ROLLER (RUBBER) V2.09.17 (G0454Z) |

COPYRIGHT © AUGUST, 2017 BY GRIZZLY INDUSTRIAL, INC.
**WARNING: NO PORTION OF THIS MANUAL MAY BE REPRODUCED IN ANY SHAPE
OR FORM WITHOUT THE WRITTEN APPROVAL OF GRIZZLY INDUSTRIAL, INC.**
#BL19140 PRINTED IN CHINA

READ THIS FIRST



Model G0453Z & G0454Z
*****IMPORTANT UPDATE*****

For Machines Mfd. Since 04/15
 and Owner's Manual Printed 11/12

For questions or help with this product contact Tech Support at (570) 546-9663 or techsupport@grizzly.com

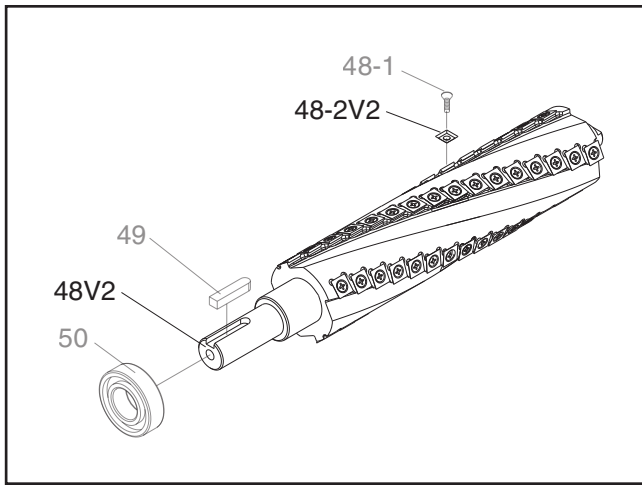
The following changes were recently made to this machine since the owner's manual was printed:

- Changed spiral cutterhead and indexable inserts.

Aside from this information, all other content in the owner's manual applies and **MUST** be read and understood for your own safety. **IMPORTANT: Keep this update with the owner's manual for future reference.**

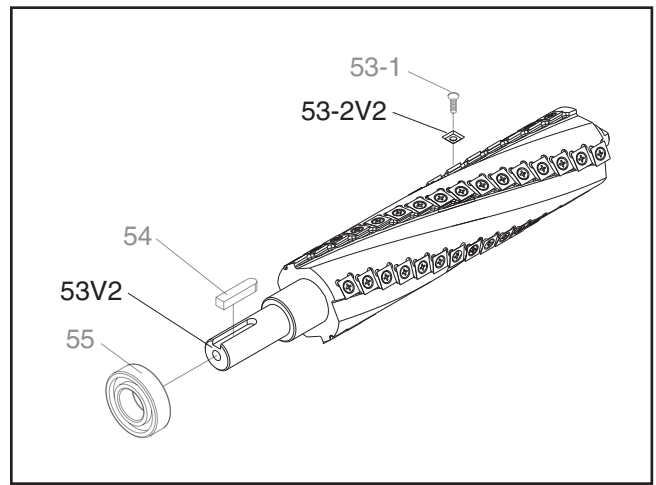
For questions or help, contact our Tech Support at (570) 546-9663 or techsupport@grizzly.com.

G0453Z Revised Parts



| REF | PART # | DESCRIPTION |
|--------|---------------|---|
| 48V2 | P0453Z048V2 | SPIRAL CUTTERHEAD 15" V2.04.15 |
| 48-2V2 | P0453Z048-2V2 | INDEXABLE CARBIDE INSERT 14 X 14 X 2MM V2.04.15 |

G0454Z Revised Parts

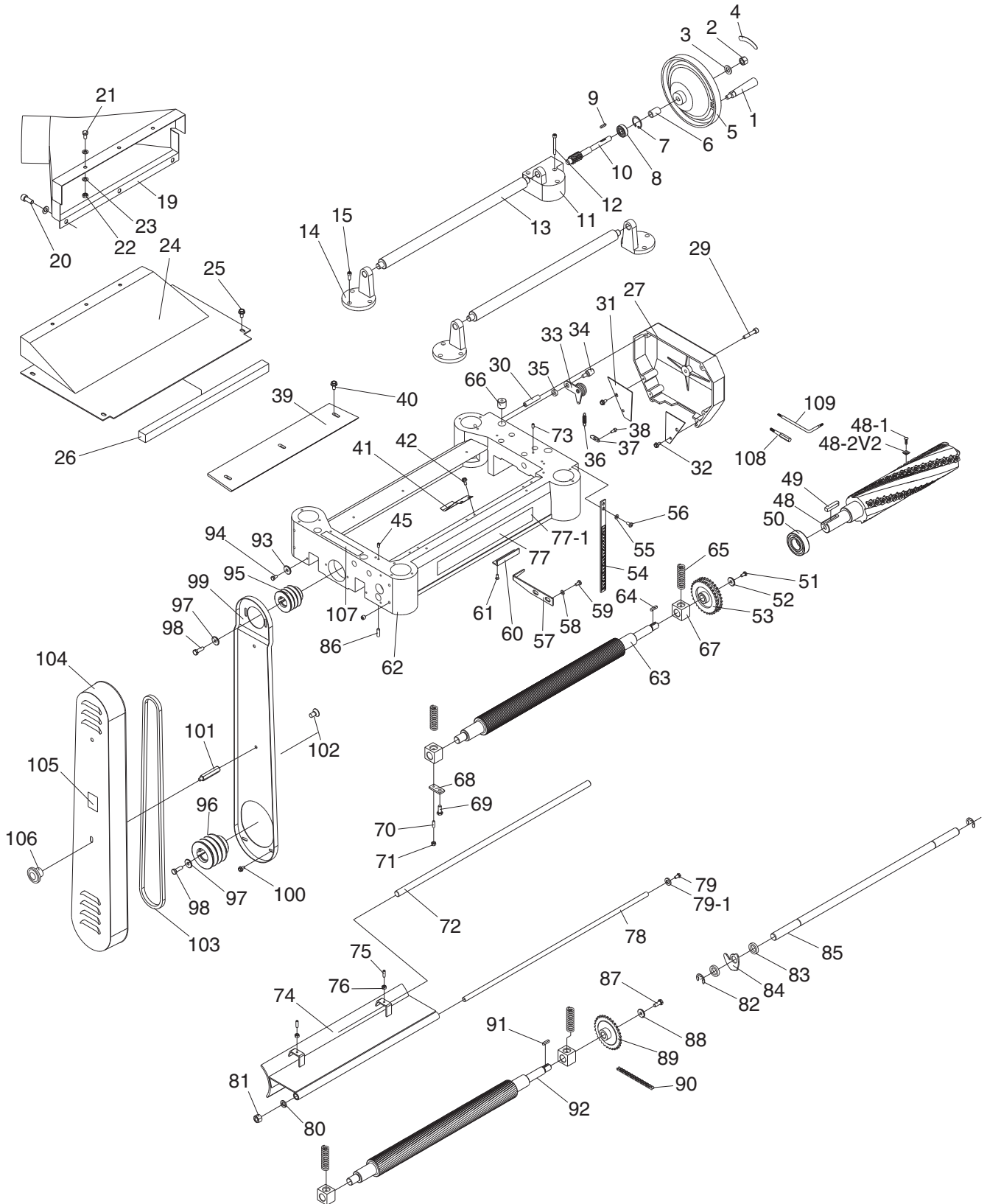


| REF | PART # | DESCRIPTION |
|--------|---------------|---|
| 53V2 | P0454Z053V2 | SPIRAL CUTTERHEAD ASSY V2.04.15 |
| 53-2V2 | P0454Z053-2V2 | INDEXABLE CARBIDE INSERT 14 X 14 X 2MM V2.04.15 |

COPYRIGHT © SEPTEMBER, 2015 BY GRIZZLY INDUSTRIAL, INC.
WARNING: NO PORTION OF THIS MANUAL MAY BE REPRODUCED IN ANY SHAPE OR FORM WITHOUT THE WRITTEN APPROVAL OF GRIZZLY INDUSTRIAL, INC.
 #MN17653 PRINTED IN CHINA

SECTION 9: PARTS

G0453Z Headstock Breakdown



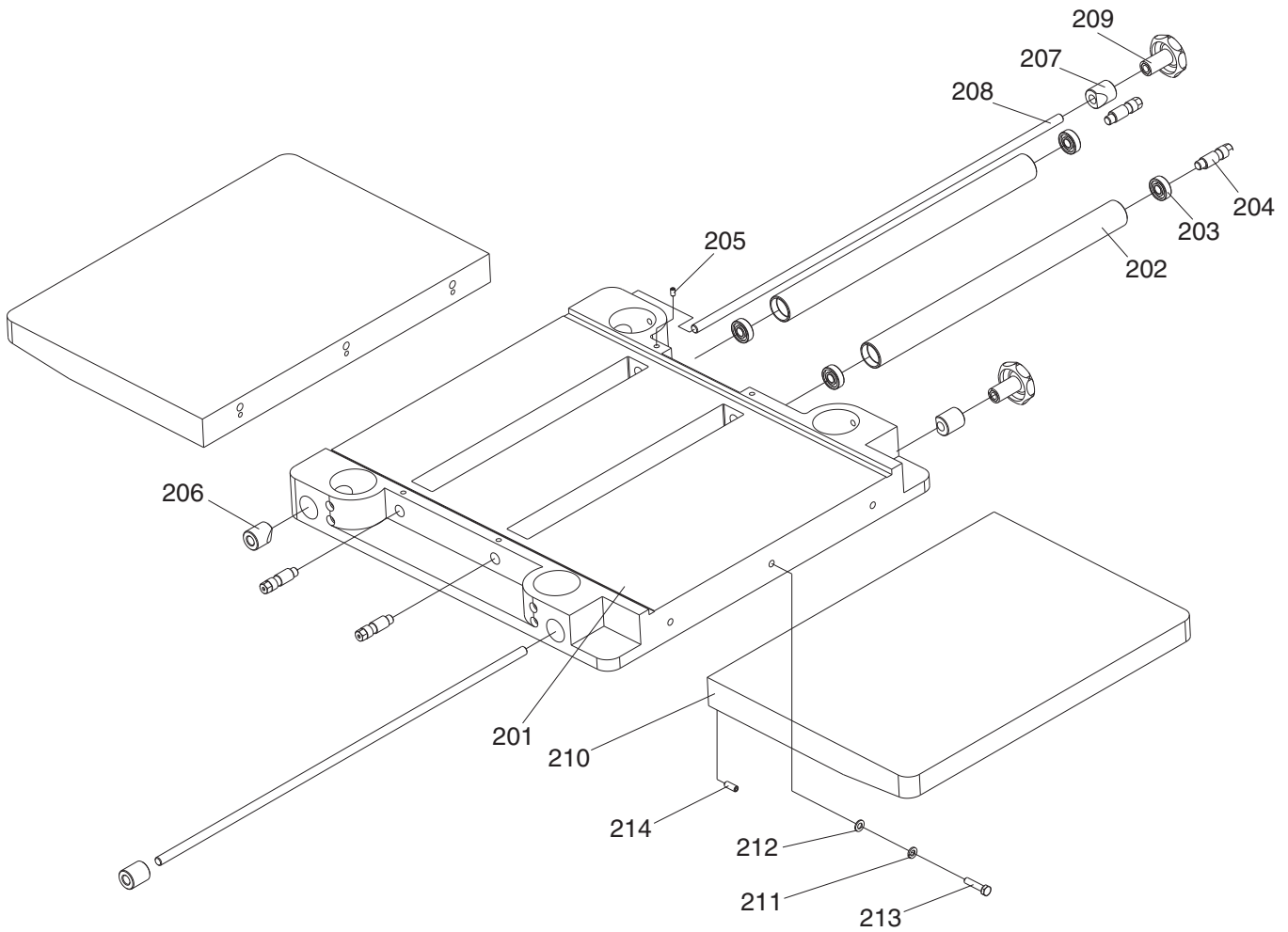
G0453Z Headstock Parts List

| REF | PART # | DESCRIPTION |
|--------|---------------|---|
| 1 | P0453Z001 | HANDLE |
| 2 | P0453Z002 | HEX NUT M12-1.75 |
| 3 | P0453Z003 | FLAT WASHER 12MM |
| 4 | P0453Z004 | HANDWHEEL LABEL |
| 5 | P0453Z005 | HANDWHEEL |
| 6 | P0453Z006 | HANDWHEEL COLLAR |
| 7 | P0453Z007 | INT RETAINING RING 32MM |
| 8 | P0453Z008 | BALL BEARING 6201ZZ |
| 9 | P0453Z009 | KEY 4 X 4 X 20 |
| 10 | P0453Z010 | WORM GEAR |
| 11 | P0453Z011 | WORM HOUSING |
| 12 | P0453Z012 | CAP SCREW M5-.8 X 55 |
| 13 | P0453Z013 | RETURN ROLLER |
| 14 | P0453Z014 | ROLLER STAND 3.505" V2.01.08 |
| 15 | P0453Z015 | CAP SCREW M5-.8 X 14 |
| 19 | P0453Z019 | DUST HOOD |
| 20 | P0453Z020 | CAP SCREW M8-1.25 X 20 |
| 21 | P0453Z021 | HEX BOLT M6-1 X 10 |
| 22 | P0453Z022 | HEX NUT M6-1 |
| 23 | P0453Z023 | FLAT WASHER 6MM |
| 24 | P0453Z024 | TOP COVER |
| 25 | P0453Z025 | FLANGE BOLT M6-1 X 10 |
| 26 | P0453Z026 | FOAM PIECE |
| 27 | P0453Z027 | CHAIN DRIVE COVER |
| 29 | P0453Z029 | CAP SCREW M8-1.25 X 45 |
| 30 | P0453Z030 | SHAFT |
| 31 | P0453Z031 | SAFETY HATCH |
| 32 | P0453Z032 | FLANGE BOLT M6-1 X 10 |
| 33 | P0453Z033 | IDLER PULLEY/BACKET ASSY |
| 34 | P0453Z034 | IDLER MOUNTING SHAFT |
| 35 | P0453Z035 | IDLER BRACKET COLLAR |
| 36 | P0453Z036 | EXTENSION SPRING |
| 37 | P0453Z037 | HANGER |
| 38 | P0453Z038 | CAP SCREW M6-1 X 8 |
| 39 | P0453Z039 | CHIP DEFLECTOR |
| 40 | P0453Z040 | FLANGE BOLT M6-1 X 12 |
| 41 | P0453Z041 | HOLD DOWN PLATE |
| 42 | P0453Z042 | FLANGE BOLT M6-1 X 12 |
| 45 | P0453Z045 | SET SCREW M6-1 X 20 |
| 48 | P0453Z048 | SPIRAL CUTTERHEAD W/INSERTS 15" |
| 48-1 | P0453Z048-1 | FLAT HD TORX T20 M6-1 X 15 |
| 48-2V2 | P0453Z048-2V2 | INDEXABLE CARBIDE INSERT 14 X 14 X 2MM V2.04.15 |
| 49 | P0453Z049 | KEY 8 X 8 X 36 |
| 50 | P0453Z050 | BALL BEARING 6205ZZ |
| 51 | P0453Z051 | HEX BOLT M6-1 X 16 |
| 52 | P0453Z052 | FLAT WASHER 6MM |
| 53 | P0453Z053 | OUTFEED ROLLER SPROCKET |
| 54 | P0453Z054 | SCALE |
| 55 | P0453Z055 | FLAT WASHER 6MM |
| 56 | P0453Z056 | PHLP HD SCR M6-1 X 12 |
| 57 | P0453Z057 | POINTER |
| 58 | P0453Z058 | FLAT WASHER 6MM |

| REF | PART # | DESCRIPTION |
|------|-------------|----------------------------|
| 59 | P0453Z059 | PHLP HD SCR M6-1 X 12 |
| 60 | P0453Z060 | CUT LIMIT PLATE |
| 61 | P0453Z061 | FLAT HD SCR M6-1 X 8 |
| 62 | P0453Z062 | HEAD CASTING |
| 63 | P0453Z063 | OUTFEED ROLLER |
| 64 | P0453Z064 | KEY 5 X 5 X 16 |
| 65 | P0453Z065 | COMPRESSION SPRING |
| 66 | P0453Z066 | OILER SET SCREW |
| 67 | P0453Z067 | ROLLER BUSHING BLOCK |
| 68 | P0453Z068 | PLATE |
| 69 | P0453Z069 | HEX BOLT M8-1.25 X 16 |
| 70 | P0453Z070 | SET SCREW M5-.8 X 12 |
| 71 | P0453Z071 | HEX NUT M5-.8 |
| 72 | P0453Z072 | CHIP BREAKER SHAFT |
| 73 | P0453Z073 | SET SCREW M6-1 X 20 |
| 74 | P0453Z074 | CHIP BREAKER |
| 75 | P0453Z075 | SET SCREW M6-1 X 18 |
| 76 | P0453Z076 | HEX NUT M6-1 |
| 78 | P0453Z078 | LOCKING ROD |
| 79 | P0453Z079 | HEX BOLT M8-1.25 X 12 |
| 79-1 | P0453Z079-1 | FLAT WASHER 8MM |
| 80 | P0453Z080 | LOCK WASHER 12MM |
| 81 | P0453Z081 | HEX NUT M12-1.75 |
| 82 | P0453Z082 | E-CLIP 15MM |
| 83 | P0453Z083 | ANTI-KICKBACK SHAFT COLLAR |
| 84 | P0453Z084 | ANTI-KICKBACK FINGER |
| 85 | P0453Z085 | ANTI-KICKBACK FINGER SHAFT |
| 86 | P0453Z086 | SET SCREW M8-1.25 X 16 |
| 87 | P0453Z087 | HEX BOLT M6-1 X 16 |
| 88 | P0453Z088 | FLAT WASHER 6MM |
| 89 | P0453Z089 | INFEED ROLLER SPROCKET |
| 90 | P0453Z090 | CHAIN 06B-1 X 63 31 LINKS |
| 91 | P0453Z091 | KEY 5 X 5 X 16 |
| 92 | P0453Z092 | INFEED ROLLER |
| 93 | P0453Z093 | FLAT WASHER 6MM |
| 94 | P0453Z094 | CAP SCREW M6-1 X 12 |
| 95 | P0453Z095 | CUTTERHEAD PULLEY MX |
| 96 | P0453Z096 | MOTOR PULLEY MX |
| 97 | P0453Z097 | COLLAR |
| 98 | P0453Z098 | HEX BOLT M8-1.25 X 20 |
| 99 | P0453Z099 | BELT GUARD |
| 100 | P0453Z100 | FLANGE BOLT M6-1 X 10 |
| 101 | P0453Z101 | HEX STANDOFF |
| 102 | P0453Z102 | FLANGE BOLT M6-1 X 12 |
| 103 | P0453Z103 | COGGED V-BELT MX-60 |
| 104 | P0453Z104 | BELT COVER |
| 105 | P0453Z105 | DON'T REMOVE COVER LABEL |
| 106 | P0453Z106 | STAR KNOB M8-1.25 |
| 107 | P0453Z107 | OIL FILL LABEL |
| 108 | P0453Z108 | DRIVER BIT TORX T20 |
| 109 | P0453Z109 | L-WRENCH TORX T20 |



G0453Z Table

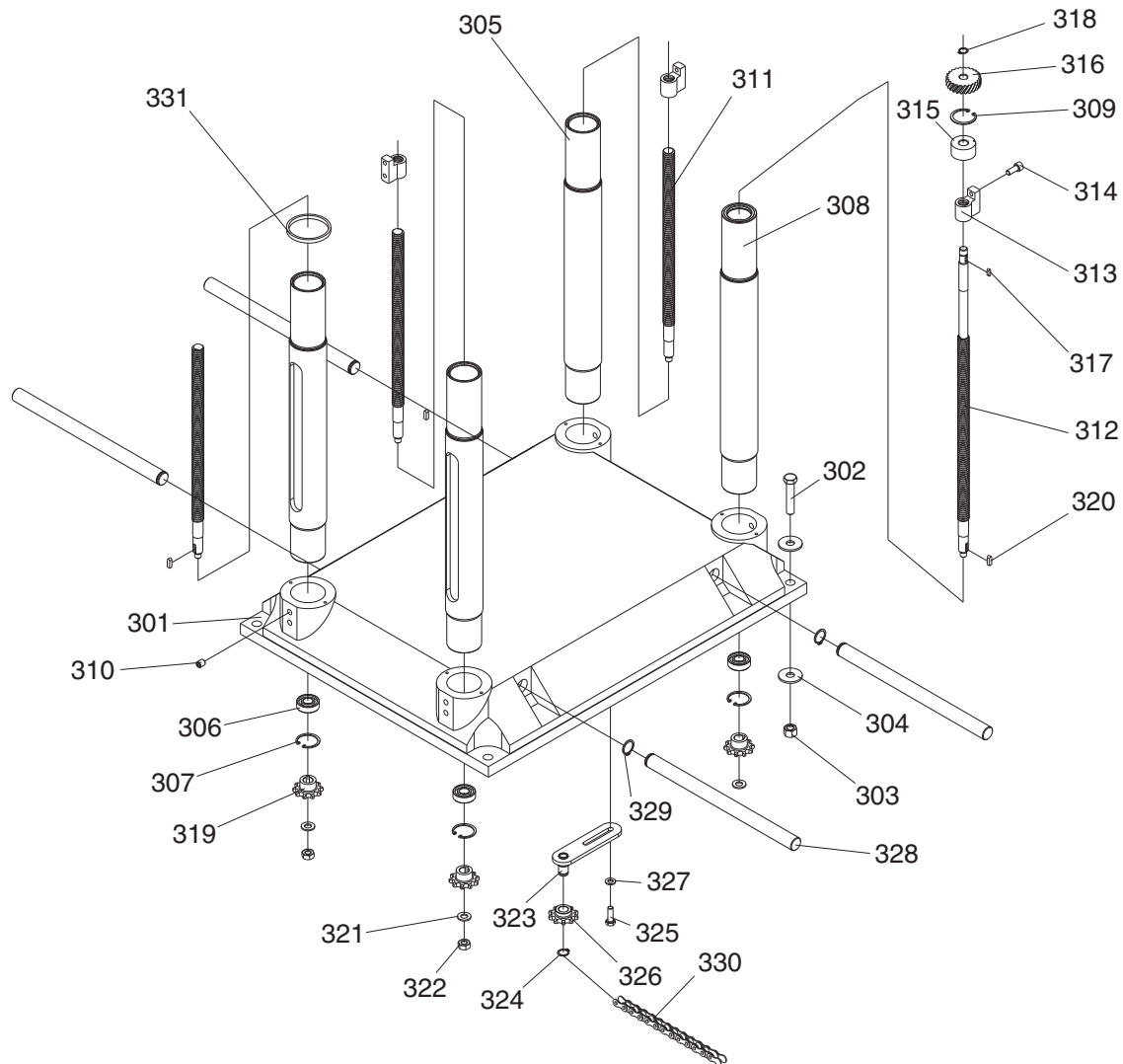


| REF | PART # | DESCRIPTION |
|-----|-----------|----------------------|
| 201 | P0453Z201 | TABLE/BED |
| 202 | P0453Z202 | ROLLER |
| 203 | P0453Z203 | BALL BEARING 608-2RS |
| 204 | P0453Z204 | ECCENTRIC SHAFT |
| 205 | P0453Z205 | SET SCREW M6-1 X 16 |
| 206 | P0453Z206 | GIB |
| 207 | P0453Z207 | WEDGE DOG |

| REF | PART # | DESCRIPTION |
|-----|-----------|------------------------|
| 208 | P0453Z208 | LOCK BAR |
| 209 | P0453Z209 | FEMALE KNOB M12-1.75 |
| 210 | P0453Z210 | EXTENSION WING |
| 211 | P0453Z211 | LOCK WASHER 8MM |
| 212 | P0453Z212 | FLAT WASHER 8MM |
| 213 | P0453Z213 | HEX BOLT M8-1.25 X 30 |
| 214 | P0453Z214 | SET SCREW M8-1.25 X 20 |



G0453Z Columns

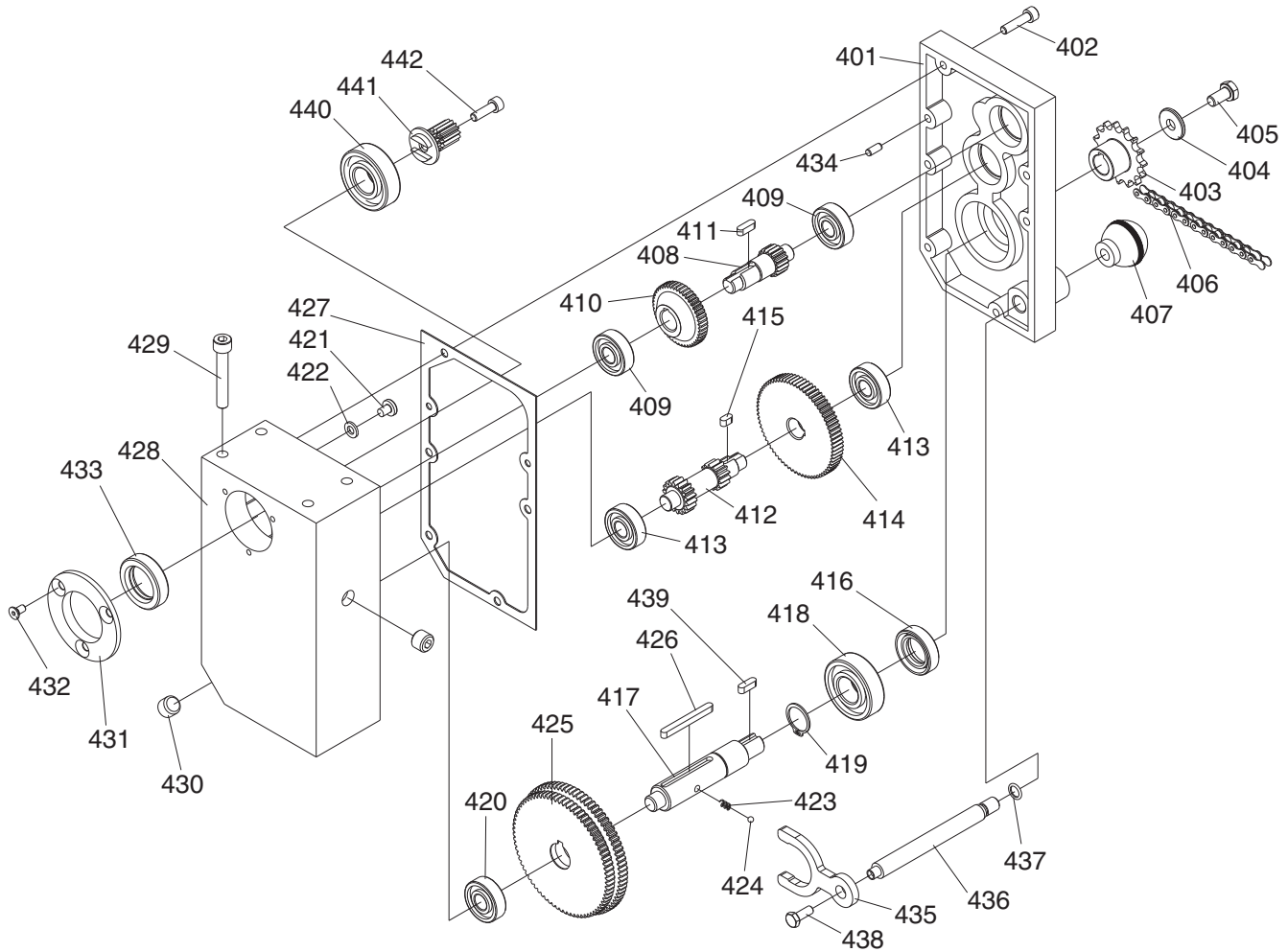


| REF | PART # | DESCRIPTION |
|-----|-----------|-------------------------|
| 301 | P0453Z301 | BASE |
| 302 | P0453Z302 | HEX BOLT M12-1.75 X 45 |
| 303 | P0453Z303 | HEX NUT M12-1.75 |
| 304 | P0453Z304 | FLAT WASHER 12MM |
| 305 | P0453Z305 | COLUMN A |
| 306 | P0453Z306 | BALL BEARING 6302Z |
| 307 | P0453Z307 | INT RETAINING RING 42MM |
| 308 | P0453Z308 | COLUMN B |
| 309 | P0453Z309 | INT RETAINING RING 40MM |
| 310 | P0453Z310 | SET SCREW M10-1.5 X 12 |
| 311 | P0453Z311 | LEADSCREW A |
| 312 | P0453Z312 | LEADSCREW B |
| 313 | P0453Z313 | LEAD NUT |
| 314 | P0453Z314 | CAP SCREW M6-1 X 20 |
| 315 | P0453Z315 | BUSHING |
| 316 | P0453Z316 | GEAR |

| REF | PART # | DESCRIPTION |
|-----|-----------|-------------------------|
| 317 | P0453Z317 | KEY 4 X 4 X 12 |
| 318 | P0453Z318 | EXT RETAINING RING 12MM |
| 319 | P0453Z319 | SPROCKET |
| 320 | P0453Z320 | KEY 5 X 5 X 16 |
| 321 | P0453Z321 | FLAT WASHER 10MM |
| 322 | P0453Z322 | HEX NUT M10-1.5 |
| 323 | P0453Z323 | BRACKET |
| 324 | P0453Z324 | EXT RETAINING RING 15MM |
| 325 | P0453Z325 | HEX BOLT M8-1.25 X 20 |
| 326 | P0453Z326 | IDLER SPROCKET |
| 327 | P0453Z327 | FLAT WASHER 8MM |
| 328 | P0453Z328 | LIFTING BAR |
| 329 | P0453Z329 | EXT RETAINING RING 15MM |
| 330 | P0453Z330 | CHAIN 12.7A X 134 |
| 331 | P0453Z331 | COLUMN SEAL |



G0453Z Gearbox

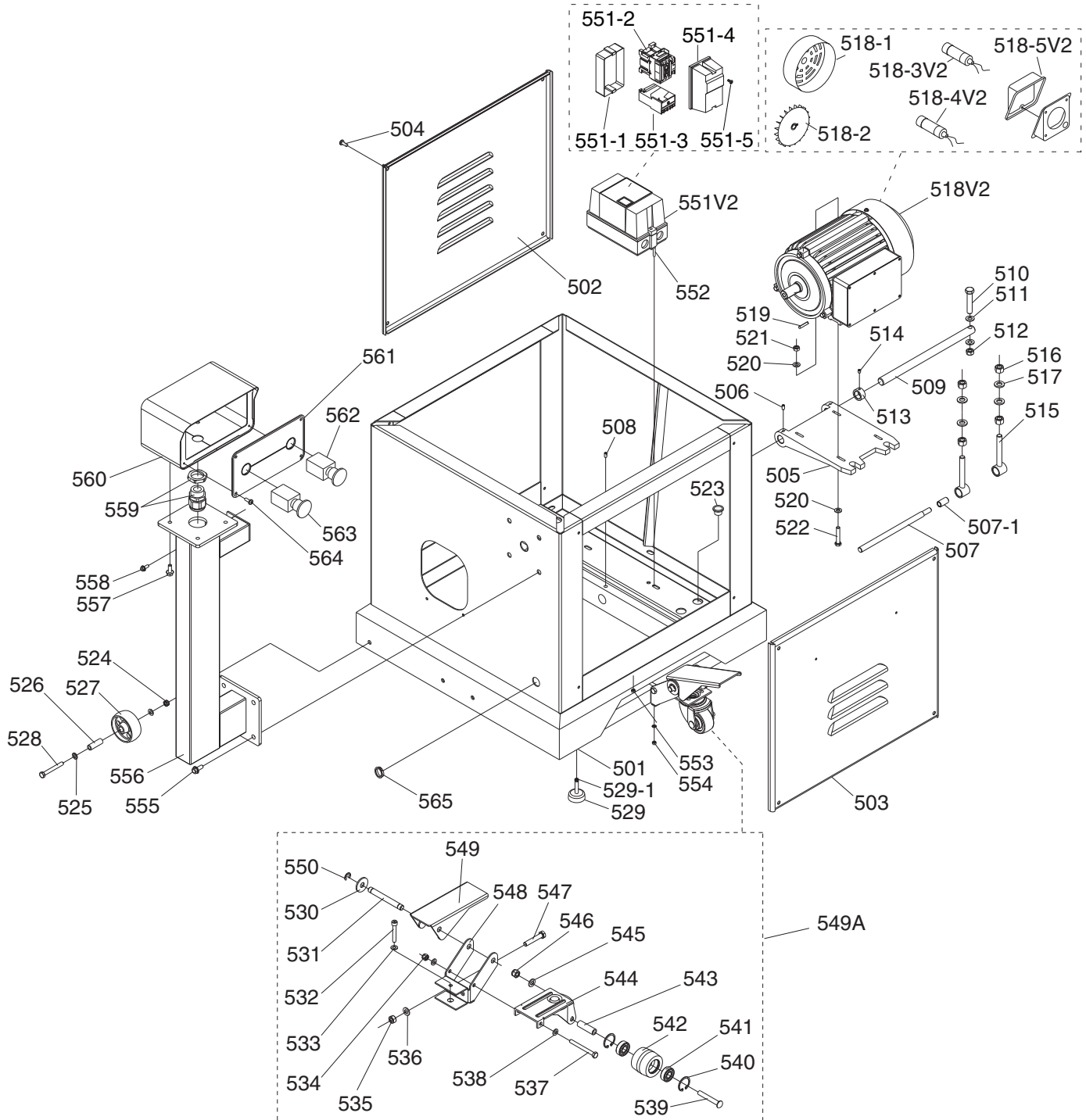


| REF | PART # | DESCRIPTION |
|-----|-----------|-------------------------|
| 401 | P0453Z401 | GEARBOX COVER |
| 402 | P0453Z402 | HEX BOLT M6-1 X 25 |
| 403 | P0453Z403 | COLUMN SPROCKET |
| 404 | P0453Z404 | FLAT WASHER 8MM |
| 405 | P0453Z405 | HEX BOLT M8-1.25 X 16 |
| 406 | P0453Z406 | CHAIN 06B-1 X 51 |
| 407 | P0453Z407 | FEMALE KNOB M8-1.25 |
| 408 | P0453Z408 | GEAR SHAFT A |
| 409 | P0453Z409 | BALL BEARING 6201ZZ |
| 410 | P0453Z410 | GEAR A |
| 411 | P0453Z411 | KEY 5 X 5 X 14 |
| 412 | P0453Z412 | SHAFT B |
| 413 | P0453Z413 | BALL BEARING 6201ZZ |
| 414 | P0453Z414 | GEAR B |
| 415 | P0453Z415 | KEY 5 X 5 X 10 |
| 416 | P0453Z416 | OIL SEAL 25 X 32 X 7 |
| 417 | P0453Z417 | SHAFT C |
| 418 | P0453Z418 | BALL BEARING 6204ZZ |
| 419 | P0453Z419 | EXT RETAINING RING 20MM |
| 420 | P0453Z420 | BALL BEARING 6201ZZ |
| 421 | P0453Z421 | PHLP HD SCR M6-1 X 8 |

| REF | PART # | DESCRIPTION |
|-----|-----------|------------------------|
| 422 | P0453Z422 | FLAT WASHER 6MM |
| 423 | P0453Z423 | COMPRESSION SPRING |
| 424 | P0453Z424 | STEEL BALL 4MM |
| 425 | P0453Z425 | GEAR C |
| 426 | P0453Z426 | KEY 5 X 5 X 50 |
| 427 | P0453Z427 | GASKET |
| 428 | P0453Z428 | GEARBOX |
| 429 | P0453Z429 | HEX BOLT M8-1.25 X 50 |
| 430 | P0453Z430 | OIL PLUG |
| 431 | P0453Z431 | FLANGE COVER |
| 432 | P0453Z432 | CAP SCREW M5-.8 X 12 |
| 433 | P0453Z433 | OIL SEAL 25 X 40 X 10 |
| 434 | P0453Z434 | PIN 5 X 10 |
| 435 | P0453Z435 | SHIFT FORK |
| 436 | P0453Z436 | HANDLE SHAFT |
| 437 | P0453Z437 | O-RING 10.8 X 2.4 P11 |
| 438 | P0453Z438 | FLANGE BOLT M6-1 X 12 |
| 439 | P0453Z439 | KEY 5 X 5 X 16 |
| 440 | P0453Z440 | BALL BEARING 6204ZZ |
| 441 | P0453Z441 | GEAR D |
| 442 | P0453Z442 | CAP SCREW M6-1 X 20 LH |



G0453Z Stand Breakdown



G0453Z Stand Parts List

| REF | PART # | DESCRIPTION |
|---------|---------------|-------------------------------------|
| 501 | P0453Z501 | STAND ASSEMBLY |
| 502 | P0453Z502 | BACK CABINET COVER |
| 503 | P0453Z503 | FRONT CABINET COVER |
| 504 | P0453Z504 | PHLP HD SCR M6-1 X 20 |
| 505 | P0453Z505 | MOTOR MOUNT PLATE |
| 506 | P0453Z506 | SET SCREW M6-1 X 12 |
| 507 | P0453Z507 | PLATE CONNECTING ROD |
| 507-1 | P0453Z507-1 | BUSHING |
| 508 | P0453Z508 | SET SCREW M8-1.25 X 12 |
| 509 | P0453Z509 | PLATE CONNECTING ROD |
| 510 | P0453Z510 | HEX BOLT M10-1.5 X 70 |
| 511 | P0453Z511 | FLAT WASHER 10MM |
| 512 | P0453Z512 | HEX NUT M10-1.5 |
| 513 | P0453Z513 | LOCK COLLAR |
| 514 | P0453Z514 | SET SCREW M6-1 X 8 |
| 515 | P0453Z515 | ADJUST BOLT |
| 516 | P0453Z516 | HEX NUT M12-1.75 |
| 517 | P0453Z517 | FLAT WASHER 12MM |
| 518V2 | P0453Z518V2 | MOTOR 3HP 240V 1-PH V2.05.08 |
| 518-1 | P0453Z518-1 | MOTOR FAN COVER |
| 518-2 | P0453Z518-2 | MOTOR FAN |
| 518-3V2 | P0453Z518-3V2 | S CAPACITOR 250M 250V 1-3/4 X 3-1/2 |
| 518-4V2 | P0453Z518-4V2 | R CAPACITOR 40M 450V 1-3/8 X 2-3/8 |
| 518-5V2 | P0453Z518-5V2 | JUNCTION BOX V2.05.08 |
| 518-6 | P0453Z518-6 | BALL BEARING 6205ZZ |
| 518-7 | P0453Z518-7 | BALL BEARING 6203ZZ |
| 518-8 | P0453Z518-8 | CENTRIFUGAL SWITCH 16MM 3450 |
| 518-9 | P0453Z518-9 | CONTACT PLATE 16MM |
| 519 | P0453Z519 | KEY 5 X 5 X 30 |
| 520 | P0453Z520 | FLAT WASHER 8MM |
| 521 | P0453Z521 | HEX NUT M8-1.25 |
| 522 | P0453Z522 | HEX BOLT M8-1.25 X 45 |
| 523 | P0453Z523 | BALL STRAIN RELIEF |
| 524 | P0453Z524 | HEX NUT M8-1.25 |
| 525 | P0453Z525 | FLAT WASHER 8MM |
| 526 | P0453Z526 | SLEEVE |
| 527 | P0453Z527 | UNIVERSAL WHEEL 78MM DIA |
| 528 | P0453Z528 | HEX BOLT M8-1.25 X 65 |
| 529 | P0453Z529 | RUBBER FOOT |
| 529-1 | P0453Z529-1 | HEX NUT M8-1.25 |
| 530 | P0453Z530 | FLAT WASHER 12MM |

| REF | PART # | DESCRIPTION |
|-------|-------------|--------------------------------------|
| 531 | P0453Z531 | SHAFT 12MM |
| 532 | P0453Z532 | HEX BOLT M8-1.25 X 50 |
| 533 | P0453Z533 | FLAT WASHER 8MM |
| 534 | P0453Z534 | HEX NUT M8-1.25 |
| 535 | P0453Z535 | HEX NUT M10-1.5 |
| 536 | P0453Z536 | FLAT WASHER 10MM |
| 537 | P0453Z537 | HEX BOLT M8-1.25 X 100 |
| 538 | P0453Z538 | FLAT WASHER 8MM |
| 539 | P0453Z539 | TROLLEY WHEEL BOLT |
| 540 | P0453Z540 | INT RETAINING RING 35MM |
| 541 | P0453Z541 | BALL BEARING 6202-2RS |
| 542 | P0453Z542 | TROLLEY WHEEL |
| 543 | P0453Z543 | TROLLEY WHEEL SLEEVE |
| 544 | P0453Z544 | TROLLEY UNIVERSAL KIT |
| 545 | P0453Z545 | FLAT WASHER 10MM |
| 546 | P0453Z546 | HEX NUT M12-1.75 |
| 547 | P0453Z547 | HEX BOLT M10-1.5 X 55 |
| 548 | P0453Z548 | BRACKET |
| 549 | P0453Z549 | PEDAL |
| 549A | P0453Z549A | PEDAL ASSEMBLY |
| 550 | P0453Z550 | EXT RETAINING RING 9MM |
| 551V2 | P0453Z551V2 | MAGNETIC SWITCH ASSY V2.01.11 |
| 551-1 | P0453Z551-1 | MAG SWITCH COVER ASSEMBLY |
| 551-2 | P0453Z551-2 | CONTACTOR NHD C-09D 230V |
| 551-3 | P0453Z551-3 | OL RELAY NHD NTH-17 14-17 |
| 551-5 | P0453Z551-5 | SWITCH COVER SCREW WHITE |
| 552 | P0453Z552 | FLAT HD SCR M5-.8 X 20 |
| 553 | P0453Z553 | FLAT WASHER 5MM |
| 554 | P0453Z554 | HEX NUT M5-.8 |
| 555 | P0453Z555 | HEX BOLT M8-1.25 X 20 |
| 556 | P0453Z556 | SUPPORT ARM 22" |
| 557 | P0453Z557 | HEX BOLT M6-1 X 16 |
| 558 | P0453Z558 | HEX BOLT M6-1 X 16 |
| 559 | P0453Z559 | BALL STRAIN RELIEF |
| 560 | P0453Z560 | CONTROL BOX |
| 561 | P0453Z561 | CONTROL PANEL |
| 562V2 | P0453Z562V2 | START BUTTON CLEAR V2.01.11 |
| 563V2 | P0453Z563V2 | E-STOP BUTTON 3-ARROW V2.01.11 |
| 564 | P0453Z564 | TAP SCREW #10 X 3/8 |
| 565 | P0453Z565 | PLASTIC GROMMET |
| 566V2 | P0453Z566V2 | POWER CORD 12G 3W 72" 6-20P V2.08.12 |



G0453Z Label Placement



| REF | PART # | DESCRIPTION |
|-------|-------------|-------------------------------|
| 602 | P0453Z602 | GLASSES/RESPIRATOR LABEL |
| 603V2 | P0453Z603V2 | MACHINE ID LABEL CSA V2.08.12 |
| 604 | P0453Z604 | READ MANUAL LABEL |
| 605 | P0453Z605 | HEARING PROTECTION LABEL |
| 606 | P0453Z606 | CUTTERHEAD DANGER LABEL |
| 607 | P0453Z607 | HANDWHEEL DIRECTION LABEL |
| 608 | P0453Z608 | GEARBOX SPEED LABEL |

| REF | PART # | DESCRIPTION |
|-----|-----------|-------------------------------|
| 609 | P0453Z609 | GRIZZLY LOGO PLATE |
| 610 | P0453Z610 | GRIZZLY GREEN TOUCH-UP PAINT |
| 611 | P0453Z611 | GRIZZLY PUTTY TOUCH-UP PAINT |
| 612 | P0453Z612 | MODEL NUMBER LABEL |
| 613 | P0453Z613 | GRIZZLY.COM LABEL 10 X 1-1/2" |
| 614 | P0453Z614 | ELECTRICITY LABEL |

WARNING

Safety labels warn about machine hazards and ways to prevent injury. The owner of this machine **MUST** maintain the original location and readability of the labels on the machine. If any label is removed or becomes unreadable, **REPLACE** that label before using the machine again. Contact Grizzly at (800) 523-4777 or www.grizzly.com to order new labels.

