

Frame Parts List

REF	PART #	DESCRIPTION
301	P0449301	FRAME
302	P0449302	LIFTING EYE BOLT 1/2-13
303	P0449303	ELEVATION SCALE
305	P0449305	MOTOR MOUNT
306	P0449306	HEX BOLT M12-1.75 X 35
307	P0449307	HEX NUT M12-1.75
308	P0449308	HEX BOLT M12-1.75 X 120
309	P0449309	FLAT WASHER 12MM
310	P0449310	HEX NUT M12-1.75
311	P0449311	SANDING MOTOR 10HP 240V 1-PH (G0449)
311	P0450311	SANDING MOTOR 15HP 240/480V 3-PH (G0450)
311-1	P0449311-1	MOTOR FAN COVER (G0449)
311-1	P0450311-1	MOTOR FAN COVER (G0450)
311-2	P0449311-2	MOTOR FAN (G0449)
311-2	P0450311-2	MOTOR FAN (G0450)
311-3	P0449311-3	R CAPACITOR 50M 350V 1-3/4 X 3-5/16 (G0449)
311-4	P0449311-4	CAPACITOR COVER (G0449)
311-5	P0449311-5	MOTOR JUNCTION BOX (G0449)
311-5	P0450311-5	MOTOR JUNCTION BOX (G0450)
311-6	P0449311-6	S CAPACITOR 300M 250V 1-3/4 X 3-3/4 (G0449)
311-7	P0449311-7	CENTRIFUGAL SWITCH (G0449)
311-8V2	P0449311-8V2	CONTACT POINTS 2PC V2.08.07 (G0449)
311-9	P0449311-9	BALL BEARING 6308-2RS
311-10	P0449311-10	BALL BEARING 6206-2RS
312	P0449312	KEY 8 X 10 X 75
313	P0449313	HEX BOLT M10-1.5 X 45
314	P0449314	FLAT WASHER 10MM
315	P0449315	HEX NUT M10-1.5
316	P0449316	SANDING MOTOR PULLEY
317	P0449317	SET SCREW M8-1.25 X 10
317-1	P0449317-1	SET SCREW M8-1.25 X 20
318	P0449318	V-BELT B69
319	P0449319	BELT COVER
320	P0449320	KNOB BOLT M6-1 X 105
321	P0449321	FLAT WASHER 6MM
322	P0449322	SIDE PANEL
323	P0449323	HEX BOLT M8-1.25 X 30
325	P0449325	GAS STRUT
327	P0449327	FRONT UPPER FRAME ANGLE
328	P0449328	BUTTON HD CAP SCR M6-1 X 12
329	P0449329	FLAT WASHER 6MM
330	P0449330	MOUNTING BRACKET
331	P0449331	EMERGENCY STOP SWITCH MJ2-1307
332	P0449332	EMERGENCY STOP BAR
333	P0449333	BUTTON HD CAP SCR M6-1 X 10
335	P0449335	COMPRESSION SPRING
336	P0449336	FLAT WASHER 6MM
337	P0449337	HEX NUT M6-1
338	P0449338	HEX NUT M6-1
339	P0449339	REAR UPPER FRAME ANGLE
340	P0449340	SUPPORT PLATE (LH)
341	P0449341	SUPPORT PLATE (RH)

REF	PART #	DESCRIPTION
342	P0449342	CAP SCREW M6-1 X 12
343	P0449343	FLAT WASHER 6MM
348	P0449348	RUBBER PLATE 1005 X 65 X 2MM
349	P0449349	PLATE
350	P0449350	PHLP HD SCR 10-24 X 1/2
350-1	P0449350-1	HEX NUT 10-24
351	P0449351	KNOB M8-1.25 X 55
352	P0449352	LOCK BUSHING
355	P0449355	TOP COVER
356	P0449356	FRONT DUST SCOOP
357	P0449357	BUTTON HD CAP SCR M6-1 X 10
358	P0449358	FLAT WASHER 6MM
359	P0449359	ACORN NUT M6-1
360	P0449360	ADHESIVE FOAM STRIP 15 X 95
361	P0449361	ADHESIVE FOAM STRIP 15 X 130
364	P0449364	HANDLE
365	P0449365	CAP SCREW 5/16-18 X 3/4
366	P0449366	FLAT WASHER 5/16
367	P0449367	HEX NUT 5/16-18
368	P0449368	HINGE
369	P0449369	BUTTON HD CAP SCR M6-1 X 12
370	P0449370	KNOB BOLT M6-1 X 12
371	P0449371	HANDWHEEL HANDLE
372	P0449372	SET SCREW 3/8-16 X 1/2
373	P0449373	HANDWHEEL
374	P0449374	HANDWHEEL SLEEVE
375	P0449375	SET SCREW M6-1 X 10
376	P0449376	HEX NUT M6-1
377	P0449377	LIFT SCREW M20-2.5
378	P0449378	THRUST BEARING 51103
379	P0449379	CHAIN 3/8" PITCH
380	P0449380	SPROCKET
380-1	P0449380-1	SPROCKET
380-2	P0449380-2	KEY 5 X 5 X 20
380-3	P0449380-3	SET SCREW 1/4-20 X 1/4
381	P0449381	SHAFT
381-1	P0449381-1	BALL BEARING 6000-2RS
381-2	P0449381-2	INT RETAINING RING 10MM
382	P0449382	HEX NUT M10-1.5
383	P0449383	FLAT WASHER 10MM
384	P0449384	DRIVING LIFT SCREW M20-2.5
385	P0449385	HEX NUT M20-2.5
428	P0449428	EXT RETAINING RING 11MM
504	P0449504	MOTOR JUNCTION BOX STRAIN RELIEF
505	P0449505	CABLE CLAMP
506V2	P0449506V2	ELECTRICAL BOX V2.08.13
507	P0449507	FLAT WASHER 8MM
508	P0449508	HEX BOLT M8-1.25 X 25
509V2	P0449509V2	CONTROL PANEL PEDESTAL ARM V2.08.13
510	P0449510	SUPPORT STRAP
511	P0449511	HEX BOLT M8-1.25 X 30
512	P0449512	HEX NUT M8-1.25



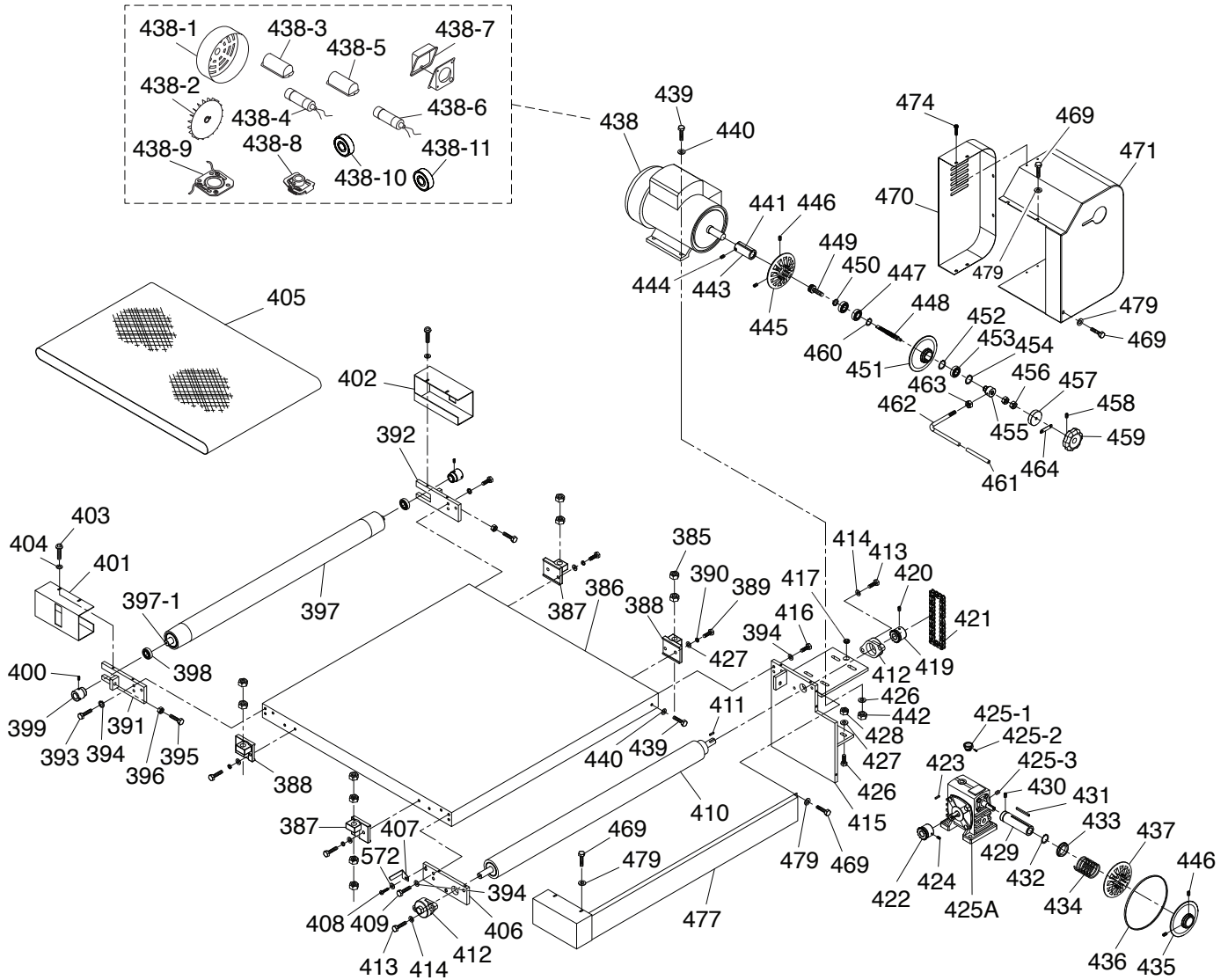
Frame Parts List (Cont.)

REF	PART #	DESCRIPTION
513	P0449513	GEARBOX
514	P0449514	CONNECTING SHAFT
515	P0449515	BUSHING
516	P0449516	GEAR 20T
517	P0449517	SET SCREW M6-1 X 10
518	P0449518	FLAT WASHER 10MM
519	P0449519	WORM SHAFT
520	P0449520	BUSHING
521	P0449521	WORM GEAR
522	P0449522	SET SCREW M6-1 X 6
523	P0449523	WRENCH 12 X 14MM OPEN-ENDS
524	P0449524	HEX WRENCH 4MM
524-1	P0449524-1	SET SCREW M6-1 X 10
525	P0449525	HEX WRENCH 5MM
540	P0449540	SCREWDRIVER PHILLIPS #2
548	P0449548	PHLP HD SCR M4-.7 X 10
552	P0449552	GAS STRUT PIVOT SCREW
553	P0449553	ELECTRICAL PANEL
553-1	P0449553-1	SANDING MOTOR CORD 10G 4W 98"
553-2	P0449553-2	FEED MOTOR CORD 14G 3W 79"
553-3	P0449553-3	CORD 16G 2W 98"
554	P0449554	CORD 6G 3W 98"

REF	PART #	DESCRIPTION
555	P0449555	GROUND WIRE 8G 1C 2.5" (GREEN)
556	P0449556	CONTROL PANEL PLATE
563	P0449563	POWER JUNCTION BOX COVER
564	P0449564	POWER JUNCTION BOX
566	P0449566	STRAIN RELIEF LT STRAIGHT
567	P0449567	FLANGE SCREW M5-.8 X 10
568	P0449568	HEX NUT M5-.8
569	P0449569	CORD 6G 3W 86"
570	P0449570	FLAT WASHER 16MM
571	P0449571	BUTTON HD CAP SCR M6-1 X 10
573	P0449573	TERMINAL BAR 1P
574	P0449574	GROUND TERMINAL BAR 1P
575	P0449575	TERMINAL BAR LOCKING SEGMENT
576	P0449576	TERMINAL BAR MOUNT
577	P0449577	HEX NUT M6-1
578	P0449578	POWER CORD CONDUIT COVER
579	P0449579	POWER CORD CONDUIT
580	P0449580	STRAIN RELIEF PGB 29-25 ST PLASTIC
581	P0449581	EXT TOOTH WASHER 5/16
582	P0449582	HEX NUT 5/16
753	P0450753	480V CONVERSION KIT (G0450)



Conveyor



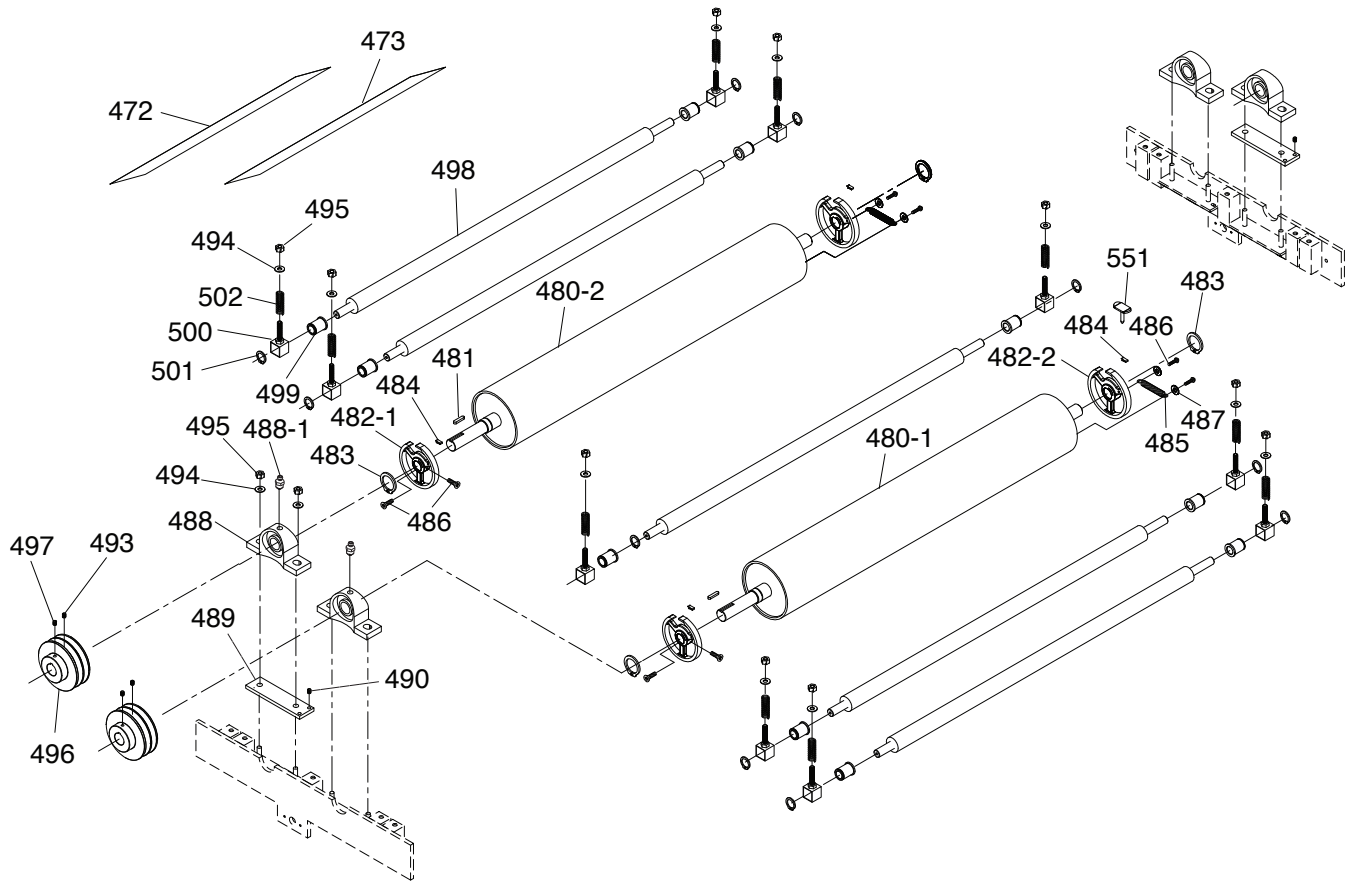
Conveyor Parts List

REF	PART #	DESCRIPTION
385	P0449385	HEX NUT M20-2.5
386	P0449386	TABLE
387	P0449387	TABLE SUPPORT (FL, RR)
388	P0449388	TABLE SUPPORT (FR, RL)
389	P0449389	HEX BOLT M8-1.25 X 30
390	P0449390	LOCK WASHER 8MM
391	P0449391	OUTFEED ROLLER SUPPORT BRACKET (LH)
392	P0449392	OUTFEED ROLLER SUPPORT BRACKET (RH)
393	P0449393	HEX BOLT M8-1.25 X 30
394	P0449394	LOCK WASHER 8MM
395	P0449395	HEX BOLT M12-1.75 X 80
396	P0449396	HEX NUT M12-1.75
397	P0449397	OUTFEED ROLLER
397-1	P0449397-1	OUTFEED ROLLER SHAFT
398	P0449398	BALL BEARING 6204-2RS
399	P0449399	LOCK COLLAR
400	P0449400	SET SCREW M6-1 X 10
401	P0449401	OUTFEED ROLLER COVER (LH)
402	P0449402	OUTFEED ROLLER COVER (RH)
403	P0449403	BUTTON HD CAP SCR M6-1 X 12
404	P0449404	FLAT WASHER 6MM
405	P0449405	CONVEYOR BELT 930 X 2290MM
406	P0449406	INFEED ROLLER SUPPORT BRACKET (LH)
407	P0449407	POINTER
408	P0449408	PHLP HD SCR M5-.8 X 10
409	P0449409	HEX BOLT M8-1.25 X 30
410	P0449410	INFEED ROLLER
411	P0449411	KEY 5 X 5 X 25
412	P0449412	FLANGE BEARING UCFL204
413	P0449413	HEX BOLT M10-1.5 X 25
414	P0449414	FLAT WASHER 10MM
415	P0449415	INFEED ROLLER SUPPORT BRACKET (RH)
416	P0449416	HEX BOLT M8-1.25 X 30
417	P0449417	GROMMET
419	P0449419	ROLLER SPROCKET
420	P0449420	SET SCREW M8-1.25 X 10
421	P0449421	CHAIN 3/8
422	P0449422	MOTOR SPROCKET
423	P0449423	KEY 5 X 5 X 35
424	P0449424	SET SCREW M8-1.25 X 10
425A	P0449425A	COMPLETE SPEED REDUCER ASSEMBLY
425-1	P0449425-1	OIL FILL PLUG 5/8-18
425-2	P0449425-2	PHLP HD SCR M3-.5 X 10
425-3	P0449425-3	DRAIN PLUG 1/4PT
426	P0449426	HEX BOLT M8-1.25 X 40
427	P0449427	FLAT WASHER 8MM
428	P0449428	EXT RETAINING RING 11MM
429	P0449429	GEARBOX SHAFT SLEEVE
430	P0449430	SET SCREW M8-1.25 X 10
431	P0449431	KEY 5 X 5 X 80
432	P0449432	EXT RETAINING RING 32MM
433	P0449433	COLLAR
434	P0449434	COMPRESSION SPRING

REF	PART #	DESCRIPTION
435	P0449435	GEARBOX OUTSIDE PULLEY
436	P0449436	V-BELT AX23
437	P0449437	GEARBOX INSIDE PULLEY
438	P0449438	FEED MOTOR 1/3HP 240V 1-PH (G0449)
438	P0450438	FEED MOTOR 1/3HP 240/480V 3-PH (G0450)
438-1	P0449438-1	MOTOR FAN COVER (G0449)
438-1	P0450438-1	MOTOR FAN COVER (G0450)
438-2	P0449438-2	MOTOR FAN (G0449)
438-2	P0450438-2	MOTOR FAN (G0450)
438-3	P0449438-3	CAPACITOR COVER
438-4	P0449438-4	S CAPACITOR 75M 125V (G0449)
438-5	P0449438-5	CAPACITOR COVER
438-6	P0449438-6	R CAPACITOR 20M 300V 1-5/16 X 2 (G0449)
438-7	P0449438-7	MOTOR JUNCTION BOX (G0449)
438-7	P0450438-7	MOTOR JUNCTION BOX (G0450)
438-8	P0449438-8	CENTRIFUGAL PLATE (G0449)
438-9	P0449438-9	CONTACT PLATE (G0449)
438-10	P0449438-10	BALL BEARING 6203-2RS (G0449)
438-10	P0450438-10	BALL BEARING 6203-2RS (G0450)
438-11	P0449438-11	BALL BEARING 6202-2RS (G0449)
438-11	P0450438-11	BALL BEARING 6202-2RS (G0450)
439	P0449439	HEX BOLT M8-1.25 X 25
440	P0449440	FLAT WASHER 8MM
441	P0449441	KEY 5 X 5 X 55
442	P0449442	HEX NUT M8-1.25
443	P0449443	MOTOR SHAFT SLEEVE
444	P0449444	SET SCREW M8-1.25 X 10
445	P0449445	VS INSIDE PULLEY
446	P0449446	SET SCREW M6-1 X 10
447	P0449447	BALL BEARING 608-2RS
448	P0449448	SHAFT
449	P0449449	HEX BOLT M6-1 X 12
450	P0449450	LOCK WASHER 6MM
451	P0449451	VS OUTSIDE PULLEY
452	P0449452	EXT RETAINING RING 17MM
453	P0449453	BALL BEARING 6003ZZ
454	P0449454	EXT RETAINING RING 35MM
455	P0449455	PULLEY NUT 1/2-12
456	P0449456	HEX NUT M10-1.5
457	P0449457	KNURLED COLLAR
458	P0449458	SET SCREW M6-1 X 10
459	P0449459	HANDWHEEL
460	P0449460	INT RETAINING RING 10MM
461	P0449461	SLEEVE
462	P0449462	L-BAR
463	P0449463	LOCK NUT M6-1
464	P0449464	KNOB SUPPORT PLATE
469	P0449469	BUTTON HD CAP SCR M6-1 X 12
470	P0449470	CONVEYOR MOTOR COVER DOOR
471	P0449471	CONVEYOR MOTOR COVER
474	P0449474	PHLP HD SCR M5-.8 X 6
477	P0449477	INFEED GUARD
479	P0449479	FLAT WASHER 6MM



Roller & Drum

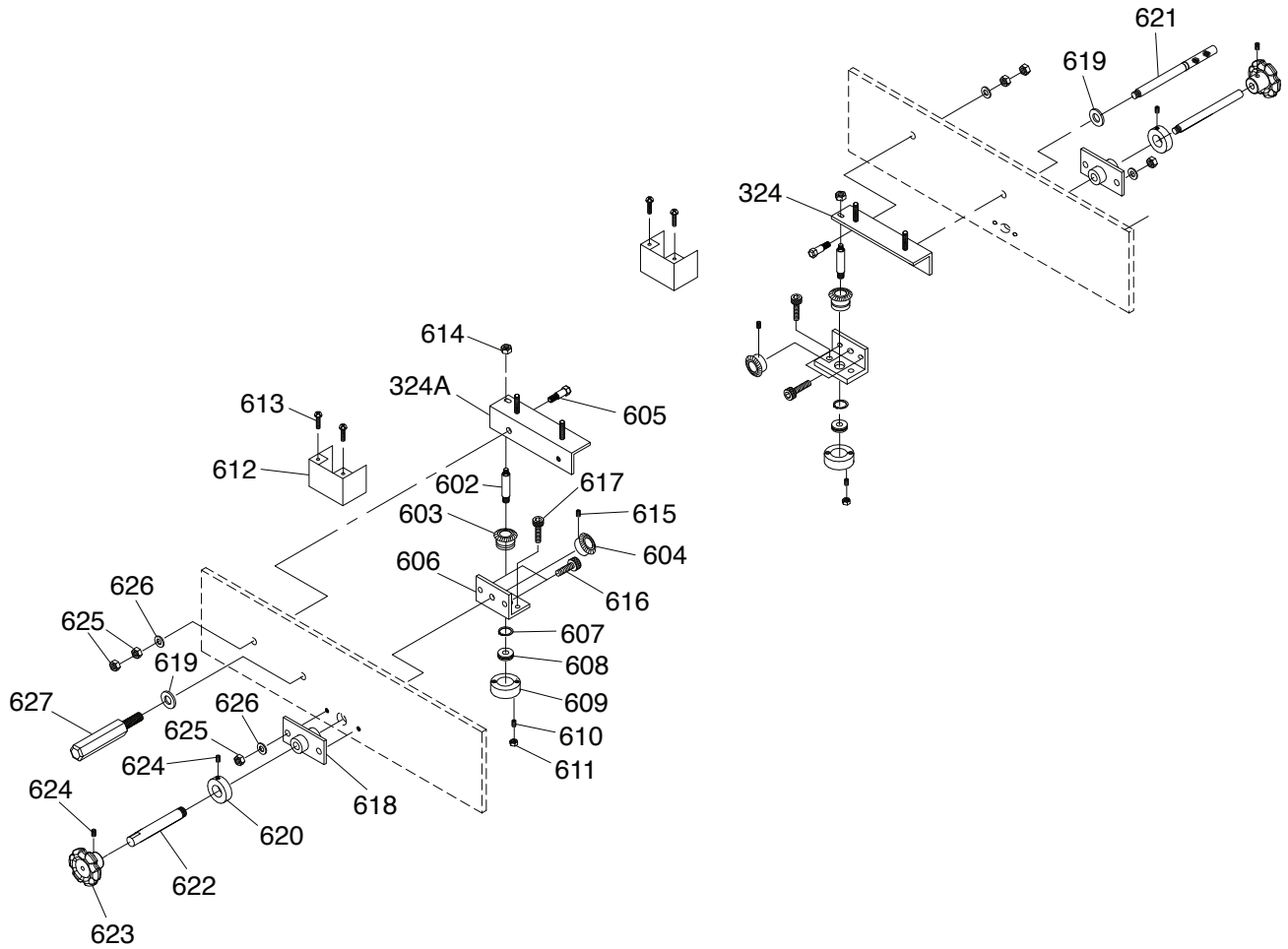


REF	PART #	DESCRIPTION
472	P0449472	SANDING PAPER ROLLS #60
473	P0449473	SANDING PAPER ROLLS #100
480-1	P0449480-1	SANDING DRUM (FRONT)
480-2	P0449480-2	SANDING DRUM (REAR)
481	P0449481	KEY 7 X 7 X 40
482-1	P0449482-1	SANDPAPER TENSIONING WHEEL (LH)
482-2	P0449482-2	SANDPAPER TENSIONING WHEEL (RH)
483	P0449483	EXT RETAINING RING 34MM
484	P0449484	SANDPAPER HOLDING CLIP
485	P0449485	EXTENSION SPRING
486	P0449486	BUTTON HD CAP SCR M6-1 X 12
487	P0449487	FLAT WASHER 6MM
488	P0449488	PILLOW BEARING UCP206
488-1	P0449488-1	GREASE FITTING 1/8" NPT STRAIGHT

REF	PART #	DESCRIPTION
489	P0449489	ADJUSTMENT PLATE
490	P0449490	SET SCREW 5/16-24 X 1/2
493	P0449493	SET SCREW M8-1.25 X 20
494	P0449494	FLAT WASHER 10MM
495	P0449495	LOCK NUT M10-1.5
496	P0449496	SANDING DRUM PULLEY
497	P0449497	SET SCREW M8-1.25 X 15
498	P0449498	HOLD DOWN ROLLER
499	P0449499	HOLD DOWN ROLLER BUSHING
500	P0449500	ROLLER BUSHING SUPPORT
501	P0449501	EXT RETAINING RING 19MM
502	P0449502	ROLLER COMPRESSION SPRING
551	P0449551	SPRING TENSION TOOL



Micro-Adjust

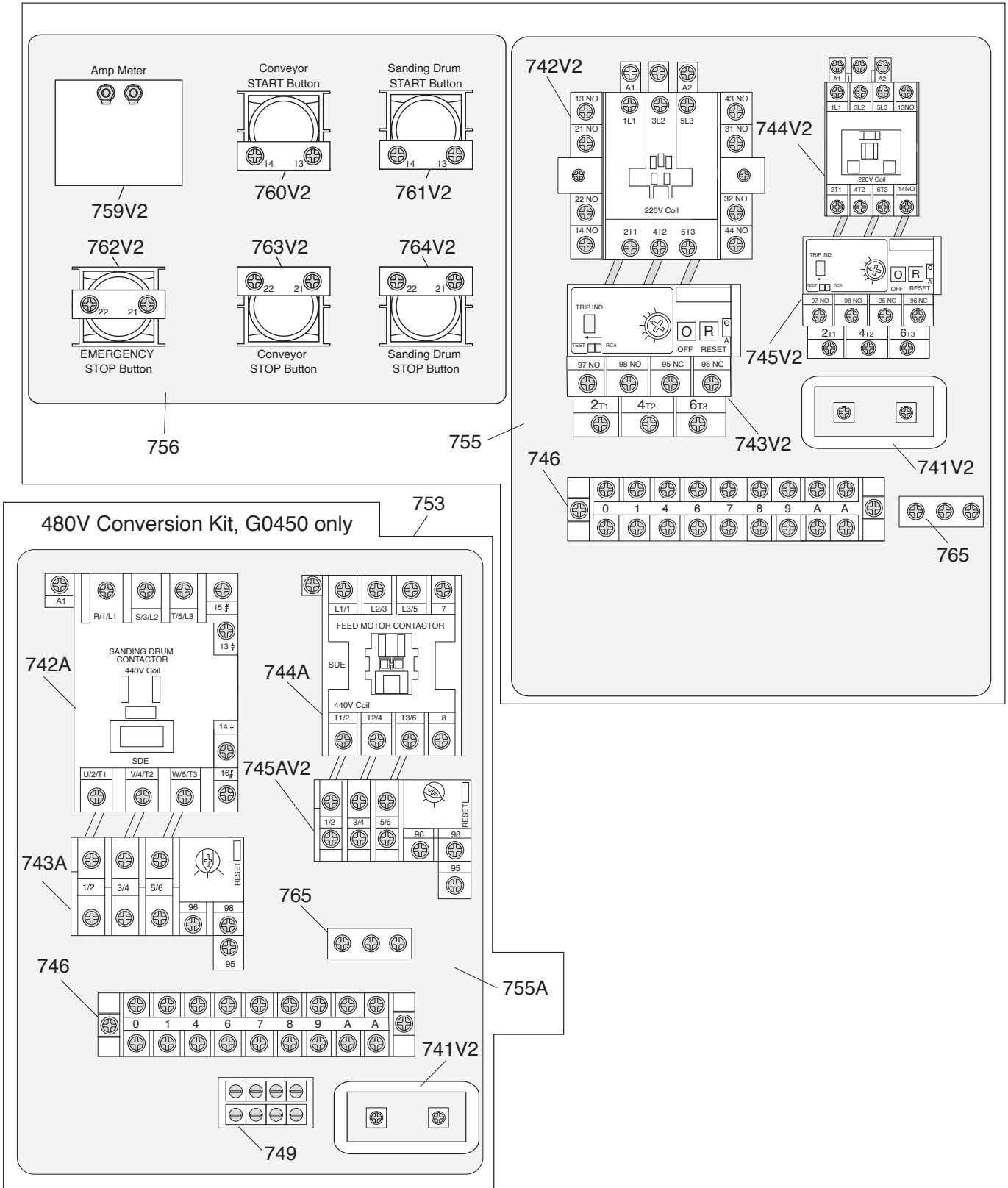


REF	PART #	DESCRIPTION
324	P0449324	BEVEL GEAR COVER (RH)
324A	P0449324A	BEVEL GEAR COVER (LH)
602	P0449602	MICRO-ADJUST SCREW 1/4-20
603	P0449603	BEVEL GEAR A 25T
604	P0449604	BEVEL GEAR B 25T
605	P0449605	STEP BOLT 5/16-18
606	P0449606	MOUNTING BRACKET
607	P0449607	EXT RETAINING RING 20MM
608	P0449608	THRUST BEARING 51101
609	P0449609	THRUST BEARING SEAT
610	P0449610	SET SCREW 10-24 X 1/4
611	P0449611	HEX NUT 10-24
612	P0449612	DUST COVER
613	P0449613	TAP SCREW #10 X 3/8

REF	PART #	DESCRIPTION
614	P0449614	LOCK NUT 1/4-20
615	P0449615	SET SCREW 10-24 X 1/4
616	P0449616	CAP SCREW 5/16-18 X 1-1/4
617	P0449617	CAP SCREW 1/4-20 X 5/8
618	P0449618	DRIVE SHAFT BRACKET
619	P0449619	FLAT WASHER 5/16
620	P0449620	LOCK COLLAR
621	P0449621	LOCK LEVER
622	P0449622	DRIVE SHAFT
623	P0449623	CONTROL KNOB
624	P0449624	SET SCREW 1/4-20 X 5/16
625	P0449625	HEX NUT 5/16-18
626	P0449626	FLAT WASHER 5/16
627	P0449627	LOCK HANDLE



Electrical



Electrical Parts List

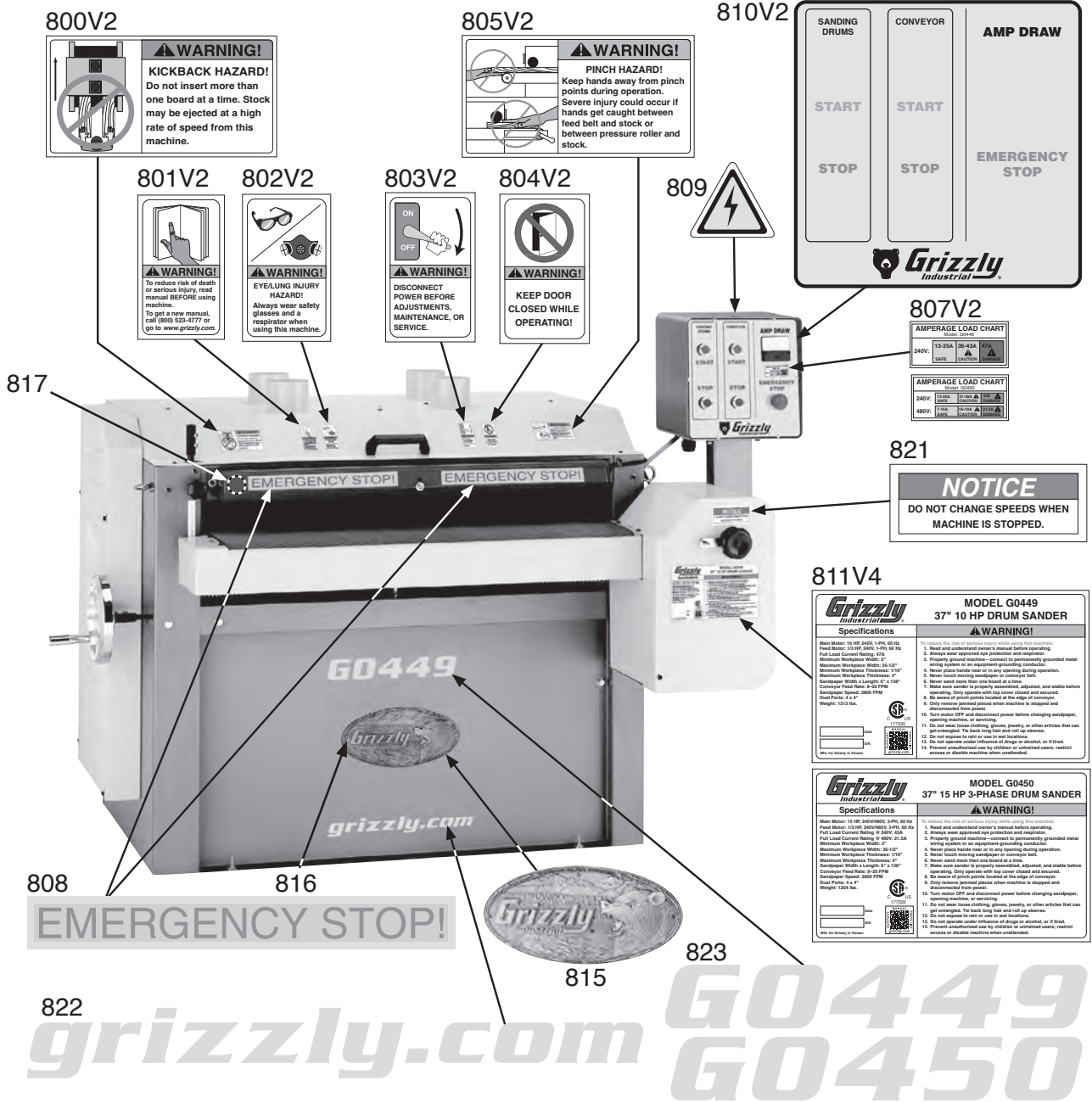
REF	PART #	DESCRIPTION
741V2	P0449741V2	CURRENT COIL TH30 100/5A
742V2	P0449742V2	CONTACTOR TECO CU-50R 220V (G0449 240V)
742V3	P0450742V3	CONTACTOR TECO CU-50R 220V (G0450 240V)
742AV2	P0450742AV2	CONTACTOR TECO CU-40R 440V (G0450 480V)
743V2	P0449743V2	OL RELAY TECO RHU-80K3 (G0449, G0450 240V)
743AV2	P0450743AV2	OL RELAY TECO RHU-80K2 (G0450 480V)
744V2	P0449744V2	CONTACTOR TECO CU-11 220V (G0449, G0450 240V)
744AV2	P0450744AV2	CONTACTOR TECO CU-11 440V (G0450 480V)
745V2	P0449745V2	OL RELAY TECO RHU-10K1 2.3-3.2A (G0449 240V)
745V2	P0450745V2	OL RELAY TECO RHU-10K1 1.4-2A (G0450 240V)
745AV3	P0450745AV3	OL RELAY TECO RHU-10K1 0.75-1A (G0450 480V)
746	P0449746	TERMINAL BAR 9P

REF	PART #	DESCRIPTION
749	P0450749	AMP METER TRANSFORMER (G0450 480V)
753	P0450753	480V CONVERSION KIT (G0450)
755	P0449755	ELECTRICAL PANEL (G0449, G0450 240V)
755A	P0450755A	ELECTRICAL PANEL (G0450 480V)
756	P0449756	CONTROL PANEL PLATE
759V2	P0449759V2	ANALOG AMP METER 100/5A V2.11.13
760V2	P0449760V2	START BUTTON GBF-221 22MM GRN V2.11.13
761V2	P0449761V2	START BUTTON GBF-221 22MM GRN V2.11.13
762V2	P0449762V2	E-STOP BUTTON GLEB-221 22MM V2.11.13
763V2	P0449763V2	STOP BUTTON GBF-221 22MM RED V2.11.13
764V2	P0449764V2	STOP BUTTON GBF-221 22MM RED V2.11.13
765	P0449765	GROUND TERMINAL

BUY PARTS ONLINE AT GRIZZLY.COM!
 Scan QR code to visit our Parts Store.




Labels & Cosmetics

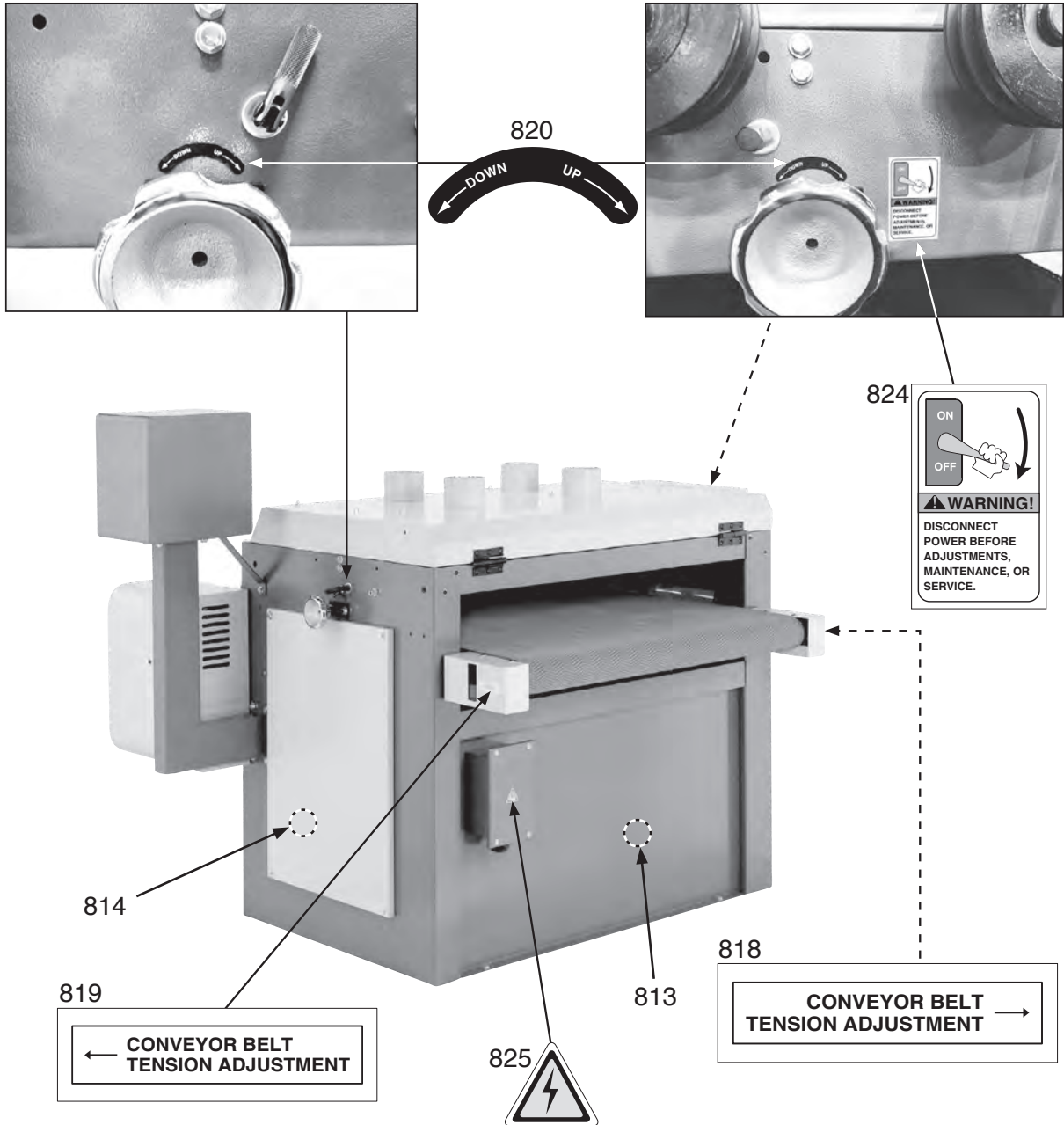


REF	PART #	DESCRIPTION
800V2	P0449800V2	KICKBACK LABEL V2.12.24
801V2	P0449801V2	READ MANUAL LABEL V2.12.24
802V2	P0449802V2	GLASSES/RESPIRATOR LABEL V2.12.24
803V2	P0449803V2	DISCONNECT LABEL V2.12.24
804V2	P0449804V2	KEEP DOOR CLOSED LABEL V2.12.24
805V2	P0449805V2	PINCH HAZARD LABEL V2.12.24
807V2	P0449807V2	AMP LOAD LABEL CSA (G0449) V2.08.13
807V2	P0450807V2	AMP LOAD LABEL CSA (G0450) V2.08.13
808	P0449808	EMERGENCY STOP LABEL
809	P0449809	ELECTRICITY LABEL

REF	PART #	DESCRIPTION
810V2	P0449810V2	CONTROL PANEL PLATE LABEL V2.12.24
811V4	P0449811V4	MACHINE ID LABEL (G0449) V4.12.24
811V4	P0450811V4	MACHINE ID LABEL (G0450) V4.12.24
815	P0449815	GRIZZLY NAMEPLATE-LARGE
816	P0449816	PHLP HD SCR M3-.5 X 10
817	P0449817	TOUCH-UP PAINT, RED
821	P0449821	DO NOT CHANGE SPEEDS LABEL
822	P0449822	MODEL NUMBER LABEL (G0449)
822	P0450822	MODEL NUMBER LABEL (G0450)
823	P0449823	GRIZZLY.COM LABEL 12", BEIGE



Labels & Cosmetics (Cont.)



REF	PART #	DESCRIPTION
813	P0449813	TOUCH-UP PAINT, GRIZZLY GREEN
814	P0449814	TOUCH-UP PAINT, GRIZZLY PUTTY
818	P0449818	BELT TENSION ADJUST LABEL (LH)
819	P0449819	BELT TENSION ADJUST LABEL (RH)

REF	PART #	DESCRIPTION
820	P0449820	MICRO-ADJUST KNOB LABEL
824	P0449824	DISCONNECT POWER LABEL
825	P0449825	ELECTRICITY LABEL

