

Grizzly *Industrial, Inc.*®

MODEL H8236 2-PIECE BRAD NAILER/ STAPLER KIT OWNER'S MANUAL



COPYRIGHT © SEPT, 2007 BY GRIZZLY INDUSTRIAL, INC. REVISED SEPTEMBER, 2014 (TR)
WARNING: NO PORTION OF THIS MANUAL MAY BE REPRODUCED IN ANY SHAPE
OR FORM WITHOUT THE WRITTEN APPROVAL OF GRIZZLY INDUSTRIAL, INC.
#TS9833 PRINTED IN CHINA



WARNING!

This manual provides critical safety instructions on the proper setup, operation, maintenance and service of this machine/equipment.

Failure to read, understand and follow the instructions given in this manual may result in serious personal injury, including amputation, electrocution or death.

The owner of this machine/equipment is solely responsible for its safe use. This responsibility includes but is not limited to proper installation in a safe environment, personnel training and usage authorization, proper inspection and maintenance, manual availability and comprehension, application of safety devices, blade/cutter integrity, and the usage of personal protective equipment.

The manufacturer will not be held liable for injury or property damage from negligence, improper training, machine modifications or misuse.



WARNING!

Some dust created by power sanding, sawing, grinding, drilling, and other construction activities contains chemicals known to the State of California to cause cancer, birth defects or other reproductive harm. Some examples of these chemicals are:

- **Lead from lead-based paints.**
- **Crystalline silica from bricks, cement and other masonry products.**
- **Arsenic and chromium from chemically-treated lumber.**

Your risk from these exposures varies, depending on how often you do this type of work. To reduce your exposure to these chemicals: Work in a well ventilated area, and work with approved safety equipment, such as those dust masks that are specially designed to filter out microscopic particles.

SAFETY

WARNING

For Your Own Safety Read Instruction Manual Before Operating This Equipment

The purpose of safety symbols is to attract your attention to possible hazardous conditions. This manual uses a series of symbols and signal words which are intended to convey the level of importance of the safety messages. The progression of symbols is described below. Remember that safety messages by themselves do not eliminate danger and are not a substitute for proper accident prevention measures.



Indicates an imminently hazardous situation which, if not avoided, **WILL** result in death or serious injury.



Indicates a potentially hazardous situation which, if not avoided, **COULD** result in death or serious injury.



Indicates a potentially hazardous situation which, if not avoided, **MAY** result in minor or moderate injury. It may also be used to alert against unsafe practices.

NOTICE

This symbol is used to alert the user to useful information about proper operation of the equipment.

WARNING

Safety Instructions for Pneumatic Tools

- KEEP ALL SAFETY DEVICES IN PLACE** and in working order.
- REMOVE ADJUSTING KEYS AND WRENCHES.** Form habit of checking to see that keys and adjusting wrenches are removed from tool before operation.
- KEEP WORK AREA CLEAN.** Cluttered areas and benches invite accidents.
- DO NOT USE IN DANGEROUS ENVIRONMENT.** Do not use pneumatic tools in damp or wet locations, or where any flammable or noxious fumes may exist. Keep work area well lighted.
- KEEP CHILDREN AND VISITORS AWAY.** All children and visitors should be kept at a safe distance from work area.
- MAKE WORKSHOP CHILD PROOF** by locking your shop and shutting off air valves.
- DO NOT FORCE TOOL.** It will do the job better and safer at the rate for which it was designed.
- USE THE RIGHT TOOL.** Do not force tool or attachment to do a job for which it was not designed.
- DO NOT USE UNDER THE INFLUENCE OF DRUGS OR ALCOHOL.**

WARNING

Safety Instructions for Pneumatic Tools

10. **USE PROPER AIR HOSE** for the tool. Make sure your air hose is in good condition and is long enough to reach your work without stretching.
11. **WEAR PROPER APPAREL.** Do not wear loose clothing, gloves, neckties, rings, bracelets, or other jewelry which may get caught in moving parts. Non-slip footwear is recommended. Wear a protective hair covering to contain long hair.
12. **ALWAYS USE SAFETY GLASSES.** Also use a face or dust mask if cutting operation is dusty. Everyday eyeglasses only have impact resistant lenses, they are NOT safety glasses.
13. **WEAR APPROVED HEARING PROTECTION.** Air escaping from pneumatic tools can exceed safe exposure limits and may cause hearing damage with prolonged exposure.
14. **SECURE WORK.** Use clamps or a vise to hold work when practical. It is safer than using your hand and frees both hands to operate tool.
15. **MAINTAIN TOOLS WITH CARE.** Keep tools lubricated and clean for best and safest performance. Follow instructions for lubricating and changing accessories.
16. **REDUCE THE RISK OF UNINTENTIONAL FIRING.** Do not carry tool with hand on trigger and always disconnect from air when not in use.
17. **DISCONNECT TOOLS** before servicing, changing accessories, or moving to another location.
18. **DO NOT OVERREACH.** Keep proper footing/balance at all times.
19. **USE THE RECOMMENDED ACCESSORIES.** Consult owner's manual for recommended accessories. The use of improper accessories may cause risk of injury.
20. **CHECK FOR DAMAGED PARTS BEFORE USING.** Check for binding and alignment of parts, broken parts, part mounting, loose bolts, and any other conditions that may affect machine operation. Repair or replace damaged parts.
21. **NEVER LEAVE UNATTENDED TOOL CONNECTED TO AIR.** Disconnect the air hose and do not leave tool until it is relieved of any built up pressure.
22. **NEVER ALLOW UNTRAINED USERS TO USE THIS TOOL WHILE UNSUPERVISED.**
23. **IF YOU ARE UNSURE OF THE INTENDED OPERATION, STOP USING TOOL.** Seek formal training or research books or magazines that specialize in pneumatic tools.
24. **BE AWARE OF HOSE LOCATION WHEN USING PNEUMATIC TOOLS.** Hoses can easily become a tripping hazard when laid across the floor or spread out in a disorganized fashion.

WARNING

Additional Safety Instructions for Nailers/ Staplers

- 1. HAND INJURIES:** Do not place your hands near the nail/staple point of entry. A nail/staple can deflect and tear through the surface of the workpiece, puncturing your hand or fingers.
- 2. COMBUSTIBLE GASES:** Never connect the nailer/stapler to pressurized oxygen or other combustible gases as an air source. Only use filtered, lubricated, and regulated compressed air.
- 3. SAFE HANDLING:** Never point the nailer/stapler at others! Do not keep the trigger pulled when loading fasteners, carrying, or holding tool. Carry the tool only by the handle, never by any other part. Do not carry the tool by the air hose. Disconnect the nailer/stapler from the air hose when going up and down ladders.
- 4. MODIFICATIONS:** DO NOT modify this tool or bypass the safety nose mechanism.
- 5. COMPRESSED AIR RATING:** Do not connect the nailer/stapler to compressed air that exceeds 120 PSI.
- 6. HOSE USAGE:** Make sure your air hose is designed for the tool in use, is in good condition, and is long enough to reach your work without stretching. However, an overly long air hose in the work area may be a tripping hazard.
- 7. OPERATING QUESTIONS:** If you are not sure about the intended operation, stop using the nailer/stapler. Seek formal training.
- 8. CLEANING:** Never use gasoline or other flammable liquids to clean the nailer; vapors in the nailer/stapler will ignite by a spark and cause it to explode.
- 9. MAINTENANCE:** Always disconnect air from the nailer/stapler when servicing or installing nails. During maintenance, a nailer/stapler connected to air may fire accidentally, causing serious personal injury.
- 4. CHECK VALVE:** Do not use a check valve or any other fitting that allows air to remain in the tool after it is disconnected from the air source.

INTRODUCTION

Foreword

The specifications, details, and photographs in this manual represent the Model H8236 as supplied when the manual was prepared. However, owing to Grizzly's policy of continuous improvement, changes may be made at any time with no obligation on the part of Grizzly.

If you have any comments regarding this manual, please write to us at the following address:

Grizzly Industrial, Inc.
C/O Technical Documentation
P.O. Box 2069
Bellingham, WA 98227-2069
E-Mail: manuals@grizzly.com

Most importantly, we stand behind our tools. If you have any service questions or parts requests, please call or write us at the location listed below.

Grizzly Industrial, Inc.
1203 Lycoming Mall Circle
Muncy, PA 17756
Phone: (570) 546-9663
Fax: (800) 438-5901
E-Mail: techsupport@grizzly.com
Web Site: <http://www.grizzly.com>

Tool Data

Brad Nailer

Nail Size	18 Gauge
Nail Length	$\frac{5}{8}$ "–2"
Magazine Capacity	100 Nails
Air Inlet Fitting	$\frac{1}{4}$ " NPT
Weight	3½ lbs.
Operating Air Pressure	60–100 PSI
Maximum Air Pressure	120 PSI

Stapler

Staple Size	21 Gauge
Staple Length	$\frac{1}{4}$ "– $\frac{5}{8}$ "
Magazine Capacity	100 Staples
Air Inlet Fitting	$\frac{1}{4}$ " NPT
Weight	1 $\frac{7}{8}$ lbs.
Operating Air Pressure	60–100 PSI
Maximum Air Pressure	120 PSI

SETUP

Unpacking

Your new nailer/stapler kit was carefully packaged for safe shipping. If you discover any damage after you have signed for delivery, *immediately call Customer Service at (570) 546-9663 for advice.*

Save the containers and all packing materials for possible inspection by the carrier or its agent. *Otherwise, filing a freight claim can be difficult.*

When you are completely satisfied with the condition of the shipment, you should inventory the contents.

Inventory

After you open the nailer case, you should find the following.

Model H8236 Inventory (Figure 1)	Qty
A. Tool Oil Bottle	1
B. Hex Wrench Set (3 and 4mm)	1
C. Safety Goggles	1
D. Carrying Case	1
E. 18 Gauge Brad Nailer	1
F. 21 Gauge Stapler	1



Figure 1. Model H8236 inventory.

Compressed Air System

The Model H8236 is designed to be operated at the following air pressures using clean, dry, regulated, compressed air:

Tool	Operating Air Pressure
Brad Nailer	60–100 PSI
Stapler	60–100 PSI

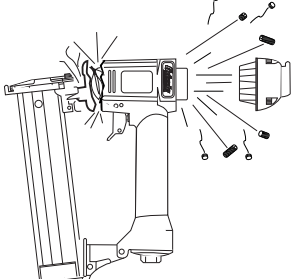
DO NOT exceed the 120 PSI maximum operating pressure for your nailer/stapler.

Before using your new nailer/stapler, regulate the air pressure to find the optimum setting within the specified operating range. Start by testing the nailer/stapler at a low setting, then increase the air pressure as needed for satisfactory results.

An in-line filter/lubricator/regulator unit can be installed, as depicted in **Figure 2**.

This filter/lubricator/regulator unit will protect your tool from damaging water build-up, allow you to adjust and maintain constant air pressure to your tool, and save you the inconvenience of having to manually lubricate your tool every time you use it.

! WARNING



Exceeding the maximum permissible operating pressure may damage the nailer/stapler and cause it to malfunction. To protect yourself from personal injury, DO NOT allow the air pressure to exceed the recommended pressure for these tools!

Check the current Grizzly catalog for availability of this unit. If you plan on installing a filter/lubricator/regulator unit in your compressed air system, always follow the connection instructions that come with the unit.

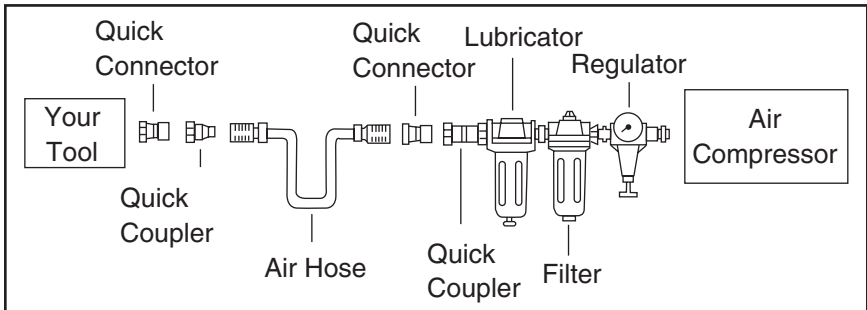


Figure 2. Typical filter/lubricator/regulator installation order.

Brad Nailer Safety Nose Mechanism

A safety mechanism on the nose of the brad nailer protects against accidental firing. When the trigger is pressed, the nailer will not fire until the safety nose mechanism is depressed.

Before you use your brad nailer for the first time, check the safety nose mechanism to ensure proper function.

To check the brad nailer safety nose mechanism:

1. DISCONNECT NAILER FROM THE AIR SUPPLY!
2. Make sure the magazine is empty and contains no nails.
3. Make sure the trigger and the safety nose mechanism move up and down without sticking.
4. Connect the nailer to the air supply.

WARNING

The safety mechanism is a mechanical device that can fail. Never rely on this mechanism as an excuse to point the brad nailer at yourself or any bystanders. Serious injury may occur.

5. **Without pressing the trigger**, depress the safety nose mechanism against a scrap piece of wood that is clean and free of any knots, nails, or other foreign objects.
 - If the nailer **does not fire**, then the safety nose mechanism is working correctly.
 - If the nailer **does fire** when you do this, immediately disconnect the nailer from the air supply and call Grizzly Technical Support at (570) 546-9663 for help.
 - If the nailer **does fire** when the trigger is pulled, **without** the safety nose mechanism being depressed, then the nailer is not working properly.
 - If you find that the safety nose mechanism is not moving up and down properly, check the lubrication of its sliding components.

WARNING

DO NOT attempt to modify or bypass the safety nose mechanism to make the brad nailer fire without pushing the safety nose down.

OPERATIONS

Loading

Brad Nailer

Nail Size 18 Gauge
Nail Length $\frac{5}{8}$ "-2"
Magazine Capacity 100 Nails

To load your brad nailer:

1. DISCONNECT NAILER FROM THE AIR SUPPLY!
2. Press the magazine latch toward the front of the nailer, as shown in **Figure 3**.

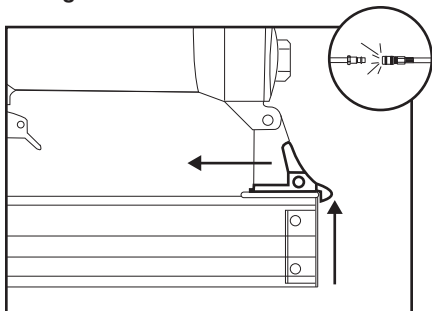


Figure 3. Pressing the magazine latch.

3. Pull the magazine cover back until it stops.
4. Insert a strip of nails, pointed-end down, into the magazine as shown in **Figure 4**.

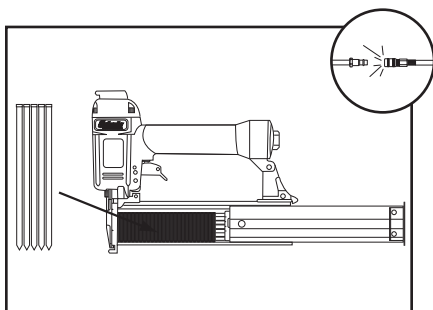


Figure 4. Loading nails into magazine.

5. Slide the nails all the way down to the nose of the nailer.
6. Push the magazine cover forward until the magazine latch locks it in place.

Stapler

Staple Size 21 Gauge
Staple Length $\frac{1}{4}$ "- $\frac{5}{8}$ "
Magazine Capacity 100 Staples

To load your stapler:

1. DISCONNECT STAPLER FROM THE AIR SUPPLY!
2. Depress the magazine latch lever and slide the magazine pusher back (see **Figure 5**).

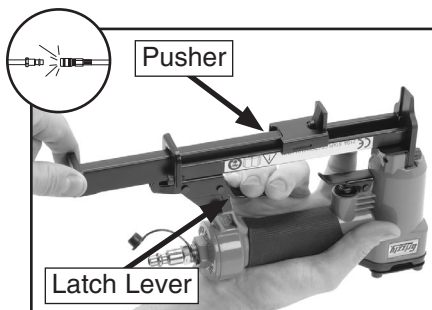


Figure 5. Opening stapler magazine.

3. Insert a strip of staples into the magazine, as shown in **Figure 6**, and slide the magazine pusher all the way forward.



Figure 6. Loading staples.

4. Release the magazine latch lever to lock the magazine pusher in place.

Operating

If you have not read the safety instructions in this manual, do not operate the nailer/stapler.

Before you operate your nailer/stapler, place five to six drops of the included oil into the quick connect fitting where the nailer/stapler connects to the air supply.

Brad Nailer

To operate your brad nailer:

1. Connect the air supply to the quick connect fitting.
2. To test for proper nail penetration, hold the nailer perpendicular to the surface of a piece of clean scrap wood that is thick enough for the length of nails you have loaded.
3. Depress the safety nose mechanism against your workpiece.

4. Before pulling the trigger, make sure your free hand and other body parts are positioned out of the way of a potential path of a nail in case of deflection.

Deflection is caused when grain irregularities, knots, or foreign objects inside the wood cause the nail to change its path, resulting in the nail puncturing the surface of the workpiece, as shown in **Figure 7**.

Besides damaging your workpiece, deflection can cause injury if your free hand is in the path of the deflecting nail.

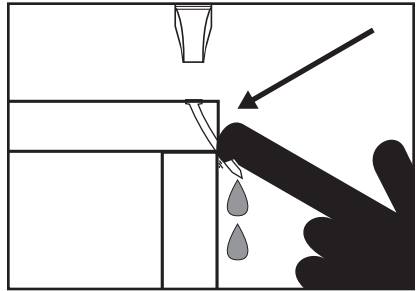


Figure 7. Example of nail deflection.

5. Pull the trigger.

Stapler

To operate your stapler:

1. Connect the air supply to the quick connect fitting.
2. Place the nose of the stapler firmly against the workpiece.
3. Before pulling the trigger, make sure your free hand and other body parts are positioned out of the way of a potential path of a staple in case of deflection.
4. Pull the trigger.

Clearing Jammed Nails/Staples

A jammed nail/staple must be cleared before using the tool again.

Brad Nailer

To clear a jammed nail from the discharge area:

1. DISCONNECT NAILER FROM THE AIR SUPPLY!
2. Depress the magazine latch and pull the magazine cover back until it stops.
3. Remove the nail stick from the magazine.
4. Remove the two cap screws and guide cover from the nose assembly (see **Figure 8**).

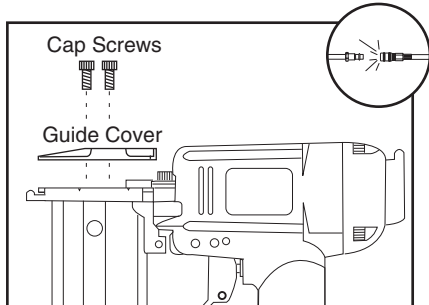


Figure 8. Removing brad nailer guide cover.

5. The jammed nail should now be visible; remove it with needle nose pliers.
6. Re-install the guide cover with the two cap screws removed in **Step 4**.
7. Throw the damaged nail away and insert a new nail stick that only contains clean, undamaged nails. DO NOT use dirty or damaged nails!
8. Push the magazine cover all the way forward until the magazine latch locks it in place.

Stapler

To clear a jammed staple from the discharge area:

1. DISCONNECT STAPLER FROM THE AIR SUPPLY!
2. Unlatch and pull back the magazine pusher, then remove the remaining staples.
3. Remove the jammed staple with needle nose pliers.
4. Throw the damaged staple away and insert a new stick of staples that contains only clean, undamaged staples. DO NOT use dirty or damaged staples.

Replacing Pistons/ O-Rings

Under heavy use, a piston, piston shaft, or O-ring may wear out. Replacement is quick and easy. Contact Grizzly Customer Service at (800) 523-4777 to obtain the following Piston Repair Kits or the complete O-Ring Repair Kits.

Repair Kit	Part Number
Brad Nailer:	
Piston Repair Kit.....	PH8236164
O-Ring Repair Kit.....	PH8236165
Stapler:	
Piston Repair Kit.....	PH8236151
O-Ring Repair Kit.....	PH8236152



To replace a piston for your brad nailer or stapler:

1. DISCONNECT NAILER/STAPLER FROM THE AIR SUPPLY!
2. Remove all nails/staples from the magazine cartridge, and clean the exterior of the tool.
3. Remove the four cap screws on the back of the tool, near the exhaust port.

4. Remove the cap.
5. The top of the piston should now be visible inside the cylinder, which is housed in the head of the tool.
6. Watch the discharge area and push the top of the piston with your finger. You will see the piston shaft slide down the discharge area.
7. Taking care not to scratch or dent the nailer parts, use a wooden dowel or similarly shaped tool to push the piston shaft back inside the tool until you can grip the piston head and remove it from the cylinder. Clean and inspect the parts for cracks, wear, or burrs.
8. Apply a thin film of tool oil on the new O-ring and place it on the new piston.
9. Insert the new piston in the cylinder. Make sure that the grooves on the piston shaft line up with those on the guide at the bottom of the cylinder. The new piston should easily slide into the cylinder. **DO NOT force the piston into the cylinder!** If the piston is not easily inserted, double-check the alignment of the piston shaft with the grooves on the guide.
10. After the piston is inserted correctly, close the magazine. Replace the rear cap assembly and secure it with the four cap screws remove in **Step 3**.

Note: For more assistance, or to install a complete O-ring set, refer to the appropriate breakdown diagram in the back of this manual for component locations.

CLEANING & LUBRICATION

Cleaning

Use non-flammable solvent to clean the nose assembly of the nailer/stapler. Always be sure that the tool is dry before using it again.

Do not allow dust, chips, sand, etc. into the air connectors or into the body of the nailer/stapler; this may result in leaks and damage to the nailer and the air couplings.




Never clean this tool with gasoline or other flammable liquids. Vapors in the tool may ignite, causing the tool to explode. Ignoring this warning may lead to serious personal injury or even death!

Lubricating

Standard pneumatic tool oil has been included with your new Grizzly nailer/stapler to help maintain its useful life. Place two to six drops of oil in the tool air inlet (as shown in **Figure 9**) before every use, or after 2 hours of continuous use.

Wipe off any excess oil near the exhaust port to avoid dust build-up. When the oil that was included with the nailer/stapler has been completely used, replace with Grizzly Model G2820 Pneumatic Tool Oil.

Another option to manual oiling would be to install a lubricator in your air compressor line. If your air compressor line already has a lubricator, then regular lubrication of your nailer will not be necessary. Just make sure there is always oil in the lubricator.

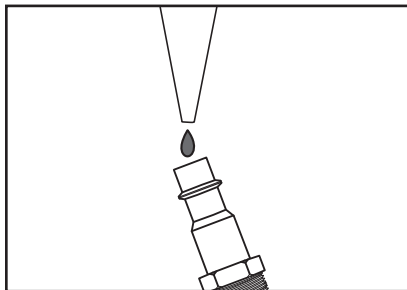
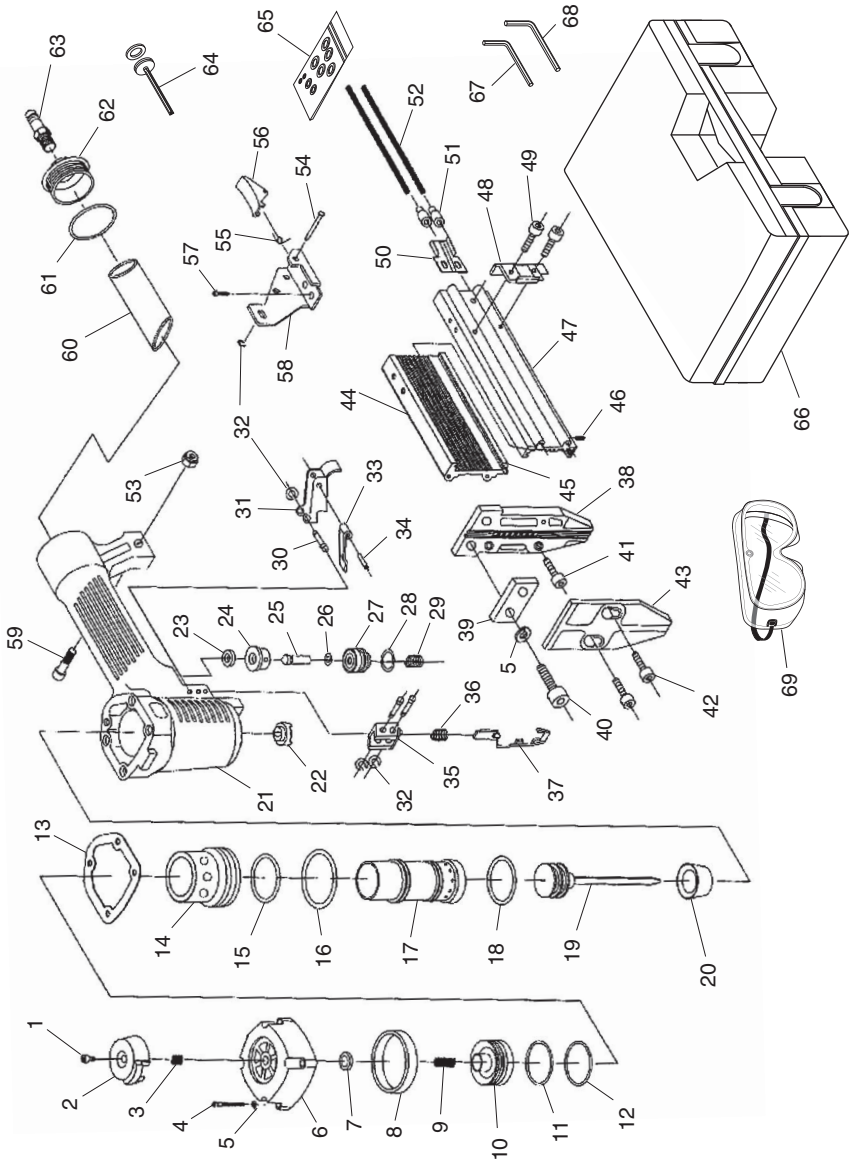


Figure 9. Lubricating nailer/stapler via air inlet.

H8236 PARTS

Brad Nailer Breakdown

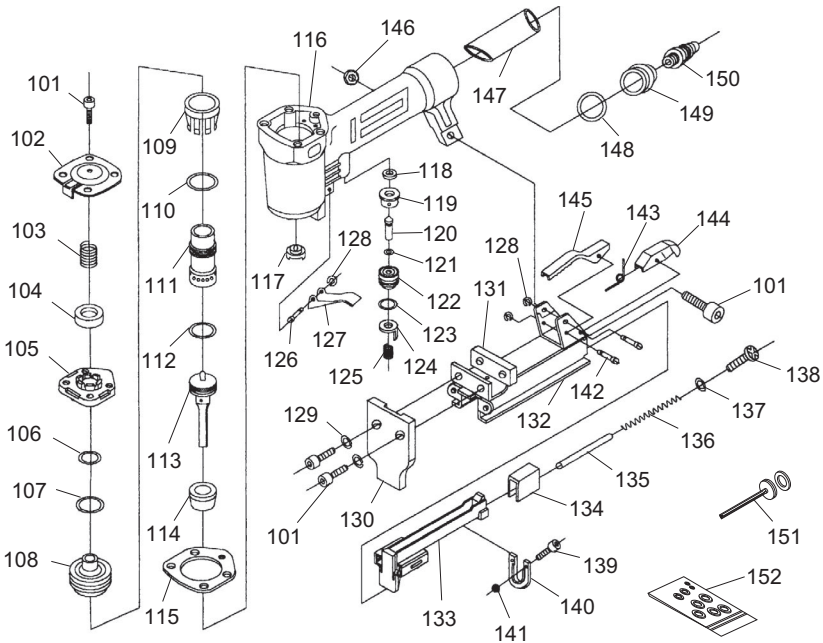


Brad Nailer Parts List

REF	PART #	DESCRIPTION
1	PH8235101	SPECIAL BOLT
2	PH8235102	EXHAUST PORT
3	PH8235103	COMPRESSION SPRING
4	PB42M	HEX BOLT M5-.8 X 20
5	PLW01M	LOCK WASHER 5MM
6	PH8235106	CYLINDER CAP
7	PORP014	O-RING 13.8 X 2.4 P14
8	PH8235108	SEALING RING
9	PH8235109	COMPRESSION SPRING
10	PH8235110	PLUNGER
11	PORS031-5	O-RING 31.0 X 2.0 S31.5
12	PORP025	O-RING 24.7 X 3.5 P25
13	PH8235113	CYLINDER CAP GASKET
14	PH8235114	CYINDER SLEEVE
15	PORP029-5	O-RING 29.2 X 3.5 P29.5
16	PORS042	O-RING 2.0 X 41.5 S42
17	PH8235117	CYLINDER
18	PORP022	O-RING 21.8 X 2.4 P22
19	PH8235119	PISTON W/DRIVER
20	PH8235120	BUMPER
21	PH8235121	NAILER BODY
22	PH8235122	RUBBER WASHER
23	PH8235123	SEAL
24	PH8235124	INNER VALVE SEAT
25	PH8235125	TRIGGER VALVE
26	PORP011-2	O-RING 11 X 2.4 P11.2
27	PH8235127	TRIGGER VALVE GUIDE
28	PORP011-2	O-RING 11 X 2.4 P11.2
29	PH8235129	COMPRESSION SPRING
30	PH8235130	GROOVED CLEVIS PIN
31	PH8235131	TRIGGER
32	PEC01M	E-CLIP 3MM
33	PH8235133	SAFETY PLATE
34	PRP11M	ROLL PIN 2.5 X 16
35	PH8235135	BRACKET

REF	PART #	DESCRIPTION
36	PH8235136	COMPRESSION SPRING
37	PH8235137	SAFETY NOSE
38	PH8235138	DRIVER GUIDE
39	PH8235139	SPACER
40	PSB15M	CAP SCREW M5-.8 X 20
41	PSB23M	CAP SCREW M4-.7 X 12
42	PSB17M	CAP SCREW M4-.7 X 10
43	PH8235143	DRIVER GUIDE COVER
44	PH8235144	NAIL GUIDE LINER
45	PH8235145	MAGAZINE SEAT
46	PSS35M	SET SCREW M4-.7 X 16
47	PH8235147	MAGAZINE CAP
48	PH8235148	BRACKET
49	PSB41M	CAP SCREW M4-.7 X 14
50	PH8235150	PUSHER
51	PH8235151	PUSHER SHAFT
52	PH8235152	COMPRESSION SPRING
53	PLN01M	LOCK NUT M4-.7
54	PH8235154	GROOVED CLEVIS PIN
55	PH8235155	LATCH TORSION SPRING
56	PH8235156	LATCH
57	PSB18M	CAP SCREW M4-.7 X 8
58	PH8235158	LATCH BRACKET
59	PSB16M	CAP SCREW M4-.7 X 16
60	PH8235160	RUBBER HAND GRIP
61	PORP036	O-RING 35.7 X 3.5 P36
62	PH8235162	CAP
63	PH8235163	AIR VALVE 1/4 NPT
64	PH8235164	PISTON REPAIR KIT
65	PH8235165	O-RING REPAIR KIT
66	PH7665090	CARRYING CASE
67	PAW03M	HEX WRENCH 3MM
68	PAW04M	HEX WRENCH 4MM
69	PH8235093	SAFETY GOGGLES

Stapler Breakdown and Parts List



REF	PART #	DESCRIPTION
101	PSB15M	CAP SCREW M5-.8 X 20
102	PH8236102	EXHAUST PORT
103	PH8236103	COMPRESSION SPRING
104	PH8236104	SPACER
105	PH8236105	CYLINDER COVER
106	PORP011-2	O-RING 11 X 2.4 P11.2
107	PORP016	O-RING 15.8 X 2.4 P16
108	PH8236108	HEAD VALVE PISTON
109	PH8236109	COLLAR
110	POR0030	O-RING 30 X 3.1
111	PH8236111	CYLINDER
112	PORP018	O-RING 17.8 X 2.4 P18
113	PH8236113	MAIN PISTON
114	PH8236114	BUMPER
115	PH8236115	SEALING WASHER
116	PH8236116	GUN BODY
117	PH8236117	RUBBER WASHER
118	PH8236118	SPACER
119	PH8236119	TRIGGER VALVE RING
120	PH8236120	TRIGGER VALVE STEM
121	PORP003	O-RING 2.8 X 1.9 P3
122	PH8236122	TRIGGER VALVE GUIDE
123	PORP011-2	O-RING 11 X 2.4 P11.2
124	PH8236124	SAFETY RING
125	PH8236125	COMPRESSION SPRING
126	PH8236126	GROOVED CLEVIS PIN

REF	PART #	DESCRIPTION
127	PH8236127	TRIGGER
128	PEC16M	E-CLIP 2.5MM
129	PLW01M	LOCK WASHER 5MM
130	PH8236130	DRIVER GUIDE
131	PH8236131	SPACER
132	PH8236132	MAGAZINE
133	PH8236133	MAGAZINE SLIDER
134	PH8236134	MAGAZINE PUSHER
135	PH8236135	SHAFT
136	PH8236136	COMPRESSION SPRING
137	PW05M	FLAT WASHER 4MM
138	PS110M	PHLP HD SCR M4-.7 X 4
139	PSB18M	BRACKET M4-.7 X 8
140	PH8236140	RACKET
141	PN04M	HEX NUT M4-.7
142	PH8236142	GROOVED CLEVIS PIN
143	PH8236143	TORSION SPRING
144	PH8236144	MAGAZINE LATCH
145	PH8236145	MAGAZINE LATCH LEVER
146	PN06M	HEX NUT M5-.8
147	PH8236147	RUBBER HAND GRIP
148	PORS035-5	O-RING 35.0 X 2.0 S35.5
149	PH8236149	END CAP
150	PH8236150	AIR INLET QUICK CONNECT
151	PH8236151	PISTON REPAIR KIT
152	PH8236152	O-RING REPAIR KIT

TROUBLESHOOTING

Symptom	Possible Cause	Solution
Air leaking at trigger valve area.	1. O-rings in trigger valve housing are damaged.	1. O-rings must be replaced & operation of safety nose must be checked.
Air leaking.	1. Loose screws in housing. 2. Damaged O-ring(s). 3. Loose air fitting. 4. Damaged housing gasket(s).	1. Tighten screws. 2. Replace O-ring(s). 3. Tighten air fitting & use teflon tape. 4. Replace gasket(s).
Tool skips nails/staples while discharging.	1. Excessive air pressure. 2. Air leaks. 3. Dirt in nose. 4. Dirt or damage prevents nails /staples from moving freely in magazine. 5. Inadequate air flow to tool. 6. Worn O-ring on piston or lack of lubrication. 7. Damaged O-rings on trigger valve. 8. Worn bumper. 9. Cap seal leaking.	1. Reduce air pressure to tool. 2. Tighten screws and fittings. 3. Clean nose. 4. Clean magazine and inspect/repair damage. 5. Check air fitting, hose, compressor & air pressure. 6. Replace piston O-ring. Lubricate. 7. Replace trigger valve O-rings. 8. Replace bumper. 9. Replace cap seal.
Tool runs slowly or has a loss of power.	1. Undersized air hose. 2. Nailer is not lubricated. 3. Broken spring in cap assembly. 4. Exhaust port in cap is blocked. 5. Air pressure too low.	1. Use a larger air hose. 2. Lubricate tool. 3. Replace spring. 4. Clean or replace damaged internal parts. 5. Increase air pressure.
Fasteners frequently jam the nailer/stapler.	1. Nails/staples are the wrong size. 2. Nails/staples are bent or dirty. 3. Magazine or nose screws are loose. 4. Driver or driver guide are worn or damaged.	1. Use correct nails/staples. 2. Use undamaged, clean nails/staples. 3. Tighten magazine. 4. Replace worn or damaged parts.
Tool does not fire.	1. Tool is not lubricated. 2. Nail/staple is jammed in magazine or discharge area. 3. Piston shaft is damaged. 4. Air pressure too low.	1. Lubricate tool. 2. Clear nail/staple from magazine or discharge area. 3. Replace piston shaft. 4. Check/increase air pressure.

WARRANTY AND RETURNS

Grizzly Industrial, Inc. warrants every product it sells for a period of **1 year** to the original purchaser from the date of purchase. This warranty does not apply to defects due directly or indirectly to misuse, abuse, negligence, accidents, repairs or alterations or lack of maintenance. This is Grizzly's sole written warranty and any and all warranties that may be implied by law, including any merchantability or fitness, for any particular purpose, are hereby limited to the duration of this written warranty. We do not warrant or represent that the merchandise complies with the provisions of any law or acts unless the manufacturer so warrants. In no event shall Grizzly's liability under this warranty exceed the purchase price paid for the product and any legal actions brought against Grizzly shall be tried in the State of Washington, County of Whatcom.

We shall in no event be liable for death, injuries to persons or property or for incidental, contingent, special, or consequential damages arising from the use of our products.

To take advantage of this warranty, contact us by mail or phone and give us all the details. We will then issue you a "Return Authorization Number," which must be clearly posted on the outside as well as the inside of the carton. We will not accept any item back without this number. Proof of purchase must accompany the merchandise.

The manufacturers reserve the right to change specifications at any time because they constantly strive to achieve better quality equipment. We make every effort to ensure that our products meet high quality and durability standards and we hope you never need to use this warranty.

Please feel free to write or call us if you have any questions about the machine or the manual.

Grizzly Industrial, Inc.
1203 Lycoming Mall Circle
Muncy, PA 17756
Phone: (570) 546-9663
Fax: (800) 438-5901

E-Mail:
techsupport@grizzly.com

Web Site: <http://www.grizzly.com>

Thank you again for your business and continued support. We hope to serve you again soon!