



Model D3605 Clamp Buddy Instructions

Introduction

The Model D3605 Clamp Buddy can hold over 200 clamps, including bar clamps, K-Body clamps, and dozens of other special purpose clamps. The all-steel frame will safely support up to 500 lbs. and the heavy-duty locking casters make it easy to move your clamps and store them in convenient locations. You can customize your Clamp Buddy by adjusting the spacing of the rods.

Inventory (Figure 1):

A. Front Rack.....	1
B. Rear Rack.....	1
C. Cross Brace.....	1
D. Bottom Brace	2
E. Swivel Casters with Brake	4
F. Rack Rods.....	12
G. Hair Pin Cotter Pins.....	24
H. Hardware Bag (Not shown)	1
–Hex Bolts M6-1 x 16 (Frame)	6
–Hex Bolts M8-1.25 x 16 (Frame)	2
–Hex Nuts M6-1 (Frame)	6
–Ext Tooth Washer 6mm (Frame)	6
–Lock Nuts M8-1.25 (Frame)	2
–Flat Washers 8mm (Frame)	2
–Flange Nuts M10-1.5 (Caster).....	4

If structural parts are missing, please contact Woodstock International for replacements. If your Clamp Buddy is damaged, contact your dealer immediately. For the sake of expediency, replacements for non-proprietary parts can be obtained at your local hardware store.

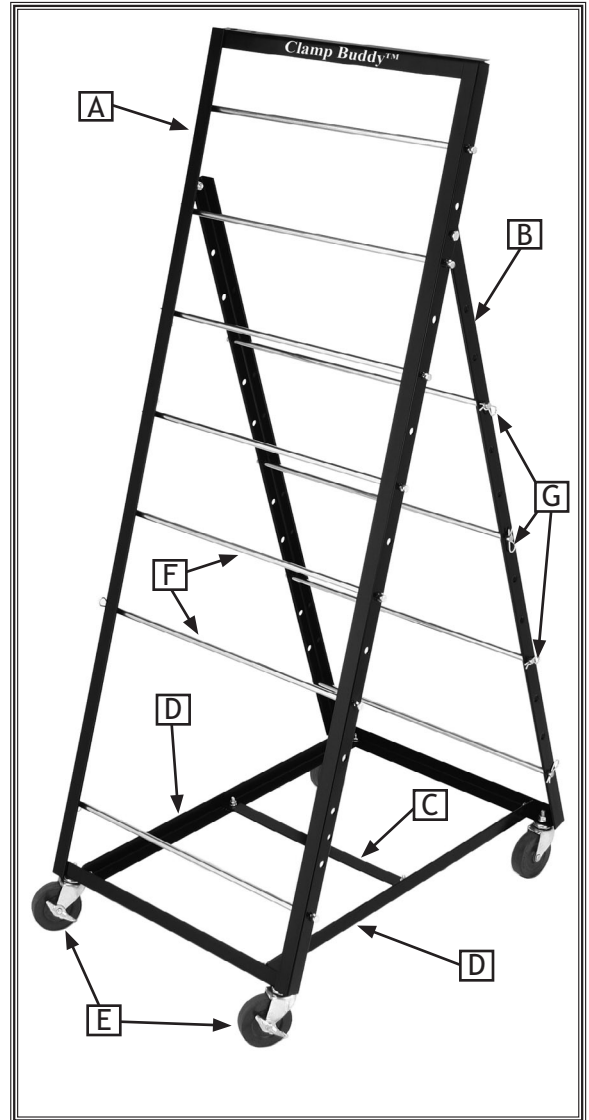


Figure 1. Model D3605 inventory.

COPYRIGHT © FEBRUARY 2007 BY WOODSTOCK INTERNATIONAL, INC.

WARNING: NO PORTION OF THIS MANUAL MAY BE REPRODUCED IN ANY SHAPE OR FORM WITHOUT

#8956JC

THE WRITTEN APPROVAL OF WOODSTOCK INTERNATIONAL, INC.

Printed in China

Assembly

We recommend that you have an assistant help position the pieces while you assemble the rack. Assembly will be easiest if you start with the rack resting on its side.

NOTICE

Do not fully tighten bolts, washers and hex nuts until all components are assembled.

To assemble the rack, do these steps:

1. Use the M8-1.25 x 16 hex bolts, flat washers, and lock nuts to attach the rear rack to the front rack as shown in **Figure 2**.
2. Use the M6-1 x 16 hex bolts, tooth washers, and hex nuts to attach the two bottom braces to the front and rear racks as shown in **Figure 3**.
3. Use the remaining hex bolts, tooth washers, and hex nuts to attach the cross brace as shown in **Figure 3**.
4. Use the flange nuts to fasten the swivel casters to the base. Final tighten all bolts, then turn the stand upright.

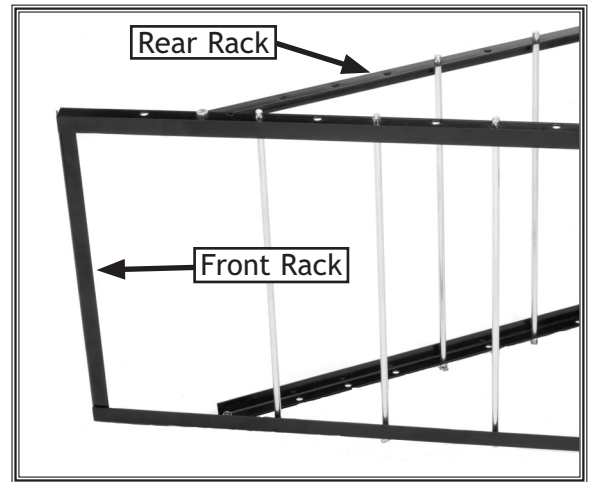


Figure 2. Rear rack attached to front rack.

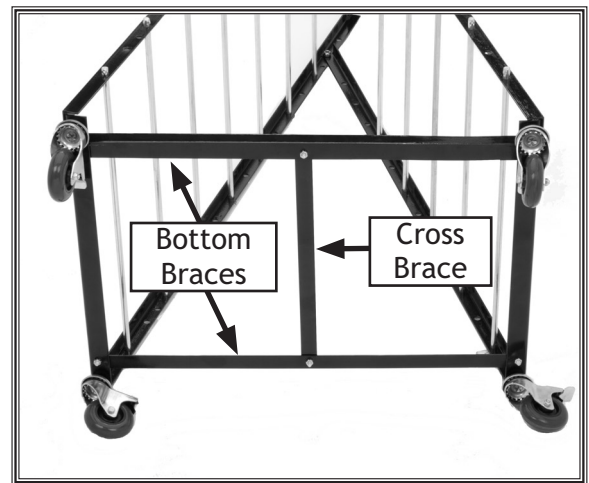
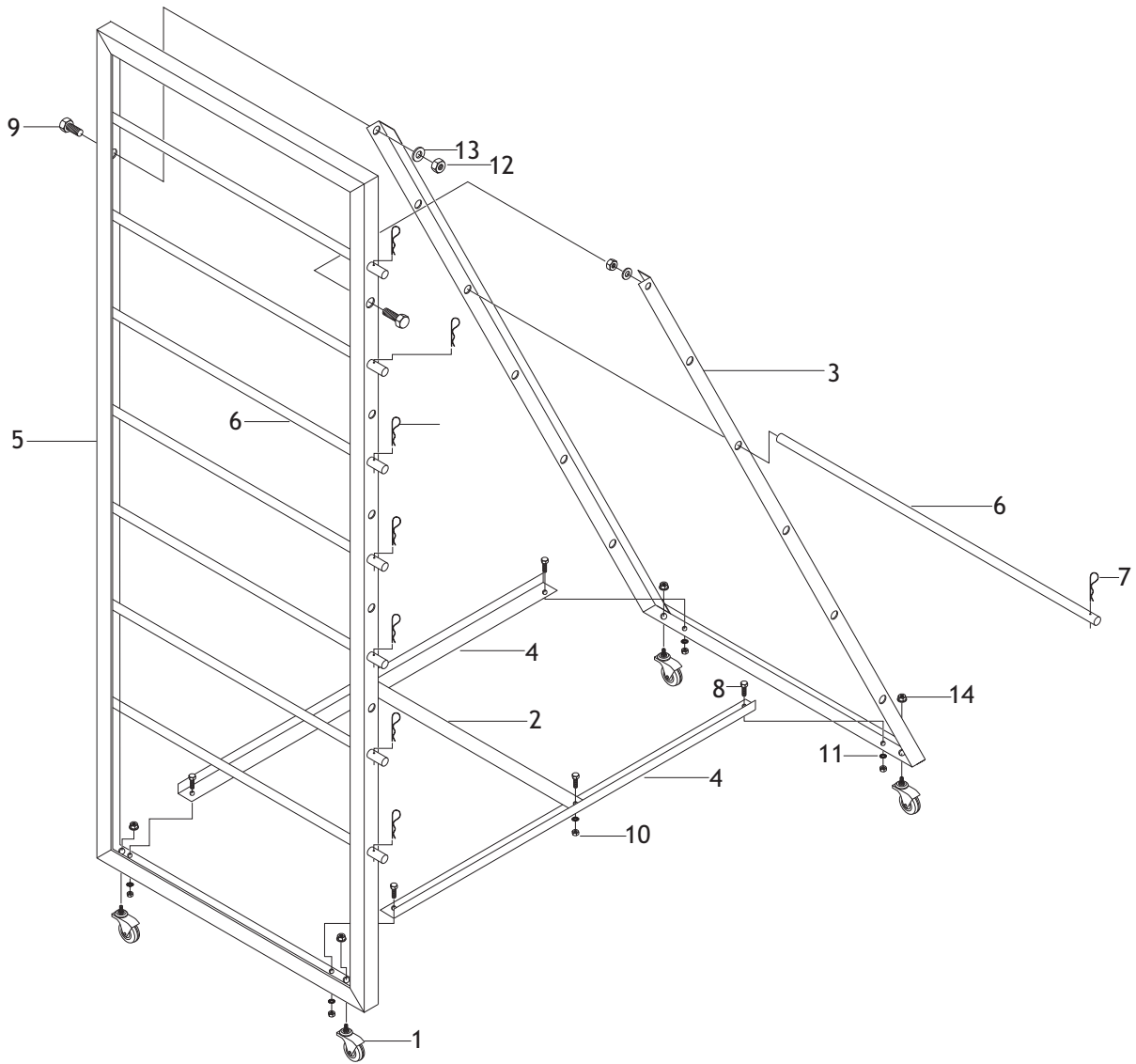


Figure 3. Completed base assembly with casters.

PARTS BREAKDOWN



Parts List

REF	PART #	DESCRIPTION
1	XD3605001	SWIVEL CASTER W/BRAKE
2	XD3605002	CROSS BRACE
3	XD3605003	REAR RACK
4	XD3605004	BOTTOM BRACE
5	XD3605005	FRONT RACK
6	XD3605006	RACK ROD
7	XD3605007	HAIR PIN COTTER PIN

REF	PART #	DESCRIPTION
8	XPB83M	HEX BOLT M6-1 X 16
9	XPB03M	HEX BOLT M8-1.25 X 16
10	XPN01M	HEX NUT M6-1
11	XPTLW05M	EXT TOOTH WASHER 6MM
12	XPLN04M	LOCK NUT M8-1.25
13	XPW01M	FLAT WASHER 8MM
14	XPFN03	FLANGE NUT M10-1.5

For questions contact Woodstock International Technical Support at (360) 734-3482, or send e-mail to: tech-support@woodstockint.com.