



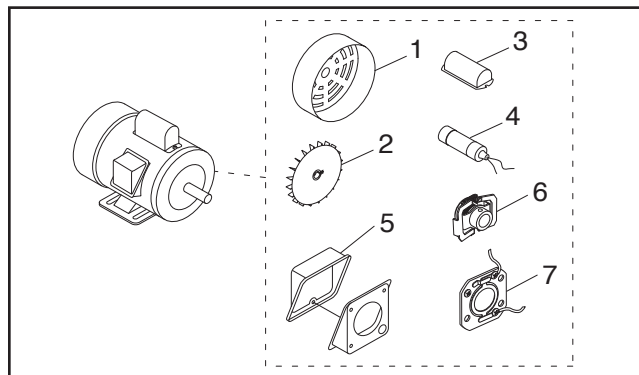
# MODEL H5378 3/4 HP ELECTRIC MOTOR INSTRUCTIONS

For questions or help with this product contact Tech Support at (570) 546-9663 or techsupport@grizzly.com


## Model H5378 Specifications

Power ..... 3/4 HP  
 Cycle..... 60 Hz  
 Voltage..... 110V/220V  
 Prewired ..... 110V  
 Amps ..... 9A/4.5A  
 Speed ..... 3450 RPM  
 Phase ..... Single-Phase  
 Class..... B

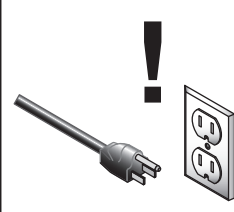
## Replaceable Parts



REF	PART #	DESCRIPTION
1	PH5378001	MOTOR FAN COVER
2	PH5378002	MOTOR FAN
3	PH5378003	S CAPACITOR COVER
4	PH5378004	S CAPACITOR 200M 125V 1-1/2 X 2-3/8
5	PH5378005	JUNCTION BOX
6	PH5378006	CENTRIFUGAL SWITCH
7	PH5378007	CONTACT PLATE



**⚠️ WARNING**  
 Electrocutation or fire could result if this motor is not grounded correctly or if your wire connections do not comply with local and state codes. Ensure compliance by checking with a qualified electrician!



**⚠️ WARNING**  
 Disconnect power when replacing motor. Failure to do this may result in serious personal injury.

## Making Wire Connections

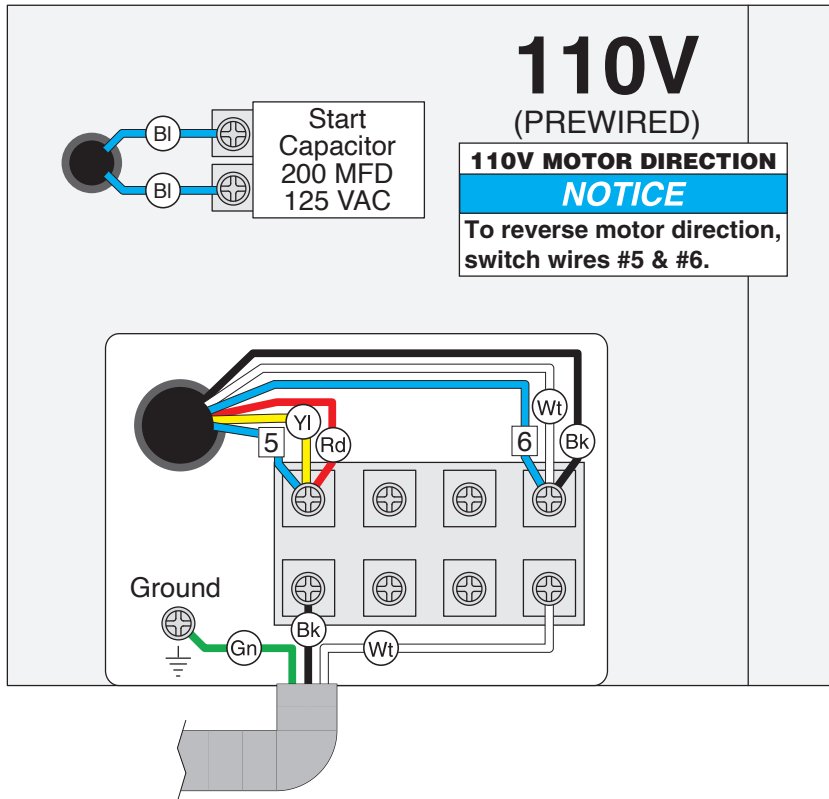
If you are unsure how to attach wires to terminals, DO NOT continue. Contact an electrician for assistance. Connecting wires improperly may cause them to come loose or contact other wires, which can cause electrocution, fire, or a short.

COPYRIGHT © DECEMBER, 2007 BY GRIZZLY INDUSTRIAL, INC., REVISED DECEMBER, 2024 (LW)  
 NO PORTION OF THIS INSTRUCTION SHEET MAY BE REPRODUCED IN ANY SHAPE  
 OR FORM WITHOUT THE WRITTEN APPROVAL OF GRIZZLY INDUSTRIAL, INC.  
 (FOR MODELS MFD. SINCE 12/24) #JB10238 PRINTED IN TAIWAN

V2.12.24

\*\*\*Keep for Future Reference\*\*\*

# H5378 Wiring Diagram



COLOR KEY	
BLACK	
WHITE	
GREEN	
RED	
YELLOW	
BLUE	

**NOTICE**

The motor wiring shown here is current at the time of printing, but it may not match your motor. Always use the wiring diagram inside the motor junction box.

**WARNING!**

**SHOCK HAZARD!**  
Disconnect power  
before working on  
wiring.

