



MODEL H0610/H0611 HOSE REELS INSTRUCTIONS

⚠️ WARNING

To reduce the risk of injury when using this tool:

- Make sure the incoming air pressure does not exceed the maximum rating of 250 PSI. Otherwise the fittings could crack or explode.
- Protect your eyes by wearing safety glasses or a face shield when mounting and using this hose reel.
- Pressurized air may cause injury to exposed body parts. Never expose any part of your body to pressurized air.
- Make sure the hose reel is firmly mounted to a stable surface before pressurizing.

Specifications

Max. Incoming Air Pressure 250 PSI
Max. Hose Length on Reel for H0610 33 ft.
Max. Hose Length on Reel for H0611 50 ft.
Air Fitting Size 3/8" NPT

Inventory

The hose reel assembly is shipped pre-assembled, as shown in **Figure 1**.

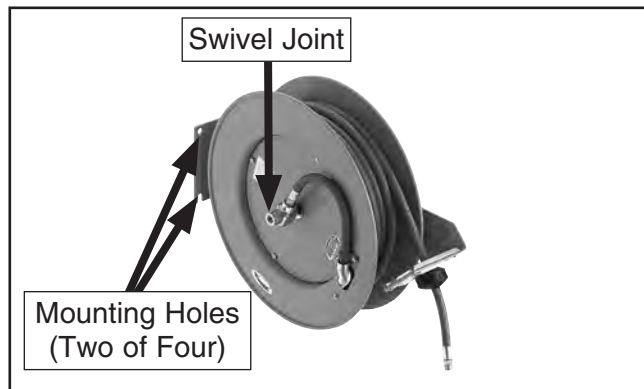


Figure 1. Model H0610/H0611.

Mounting

1. Choose a suitable location for mounting the hose reel to a wall, floor, ceiling, etc.

—If you plan to install the hose reel on a ceiling, place it 10 feet above the floor.
2. Check that the hose guide roller bracket position (see **Figure 2**) is suitable for the chosen mounting position.

—If the roller bracket position is not in the best position, refer to "Changing Hose Roller Bracket Position" on **Page 2**.

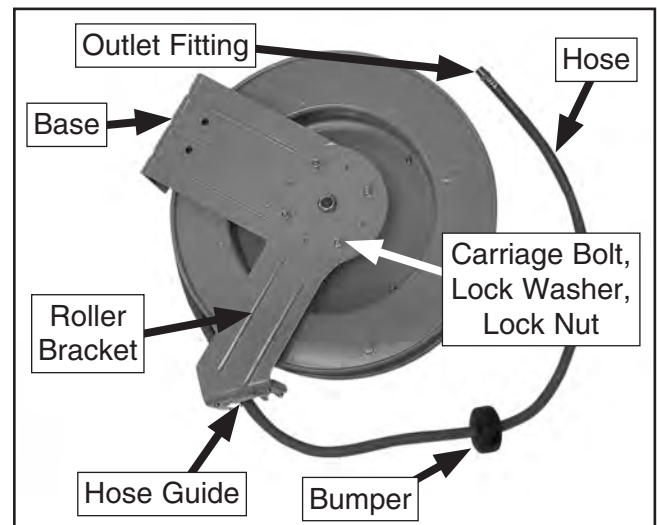


Figure 2. Roller bracket and main components.

3. Mark the location of the mounting holes on the reel base (**Figure 1**) in the chosen location, then secure with 1/2" hardware.
4. Apply Teflon pipe tape or thread sealant to the incoming air fitting threads and attach it to the swivel joint (see **Figure 1**).
5. Apply Teflon pipe tape or thread sealant to the outlet fitting threads, then attach the tool or nozzle.

6. Turn the air pressure **ON**, then use soapy water to test for leaks. If any are found, turn the air pressure **OFF**, relieve the pressure from the hose, then repair the leaks before putting the hose reel into operation.
7. To adjust the hose bumper, pull some hose out until it clicks in place, loosen the screws on the bumper, slide it close to the hose guide, then tighten the screws.

Note: *The reel clicks after each half turn.*

Changing Hose Roller Bracket Position

1. To change the hose guide roller bracket position, pull out some hose until you hear a "click" to lock it.
2. Remove the four carriage bolts, lock washers, and lock nuts, (**Figure 2**) rotate the bracket to the desired position, then re-install the fasteners.

Operation

1. Slowly pull the hose out of the reel assembly until you hear a "click."
2. To lock the hose, let it retract after you hear the reel click.
3. To unlock the hose, slowly pull the hose out until you hear no more clicking, then, while holding onto the hose, let it draw back until the bumper stops against the hose guide.

NOTICE

To avoid damaging the hose reel, always hold onto the hose while it is rewinding.

Adjusting Spring Tension

1. Pull about 6 feet of the hose out and lock it.
2. Remove the bumper from the hose, then thread the hose back toward the reel and out of the hose guide.
3. To increase tension on the hose, wrap it one full turn around the drum; to decrease tension, unwrap the hose one full rotation.

4. Re-insert the hose through the guide, then re-install the bumper on the hose.
5. Unlock the hose and check the tension. Adjust the position of the bumper if needed.

Replacing Hose

1. **DISCONNECT THE AIR SUPPLY FROM THE HOSE REEL!**
2. Unwind the hose completely, then lock it in place, making sure it will not rotate backward.
3. Remove the two hose clamps (see **Figure 3**).

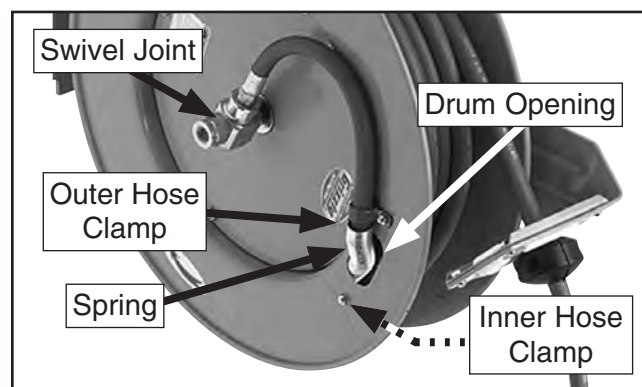
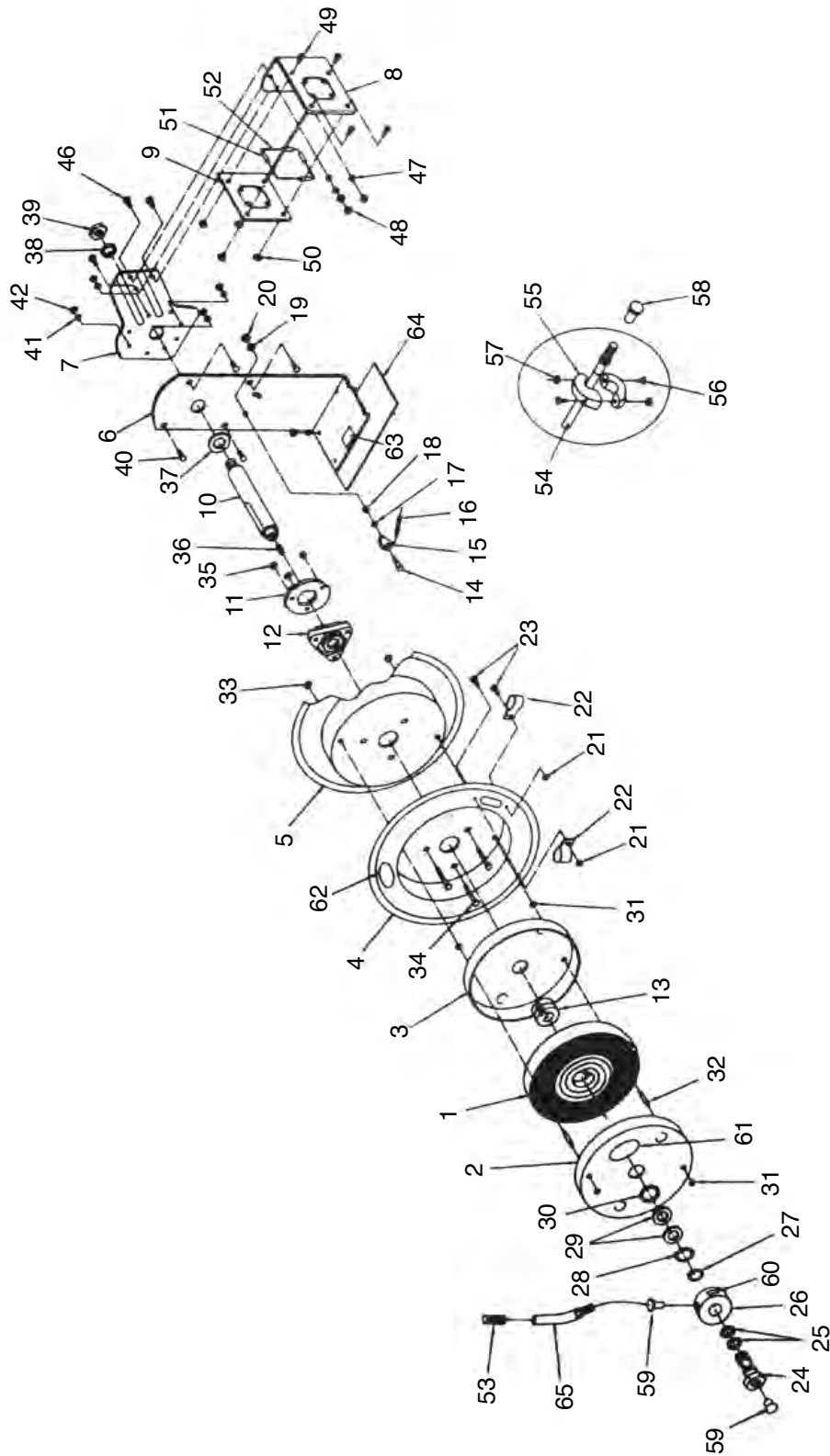


Figure 3. Hose clamps (inward clamp not shown).

4. Disconnect the hose from the swivel joint, then remove the hose through the spring and the opening in the drum.
5. Feed the new hose through the hose guide, and the opening in the drum, making sure to re-position the spring, as shown in **Figure 3**.
6. Re-install the hose clamps, re-install the bumper on the hose where it was previously, release the hose and slowly allow it to wind back onto the reel.
7. Re-adjust spring tension as needed (refer to "Adjusting Spring Tension.")



Model H0610/H0611 Breakdown



Model H0610/H0611 Parts List

REF	PART #	DESCRIPTION
1	PH0610001	COIL SPRING
2	PH0610002	OUTER SPRING DRUM
3	PH0610003	INNER SPRING DRUM
4	PH0610004	SPRINGSIDE DRUM
5	PH0610005	OUTER DRUM
6	PH0610006	BASE
7	PH0610007	ARM
8	PH0610008	GUIDE PLATE
9	PH0610009	GUIDE SUB PLATE
10	PH0610010	AXLE
11	PH0610011	TOOTHED LOCKING RING
12	PH0610012	ASSEMBLY HUB BEARING
13	PH0610013	SPRING CORE
14	PH0610014	SHOULDER BOLT M10-1.5 X 35
15	PH0610015	LOCKING CAM
16	PH0610016	SPRING DOG
17	PH0610017	SPACER WASHER 13.45 X 1.6MM
18	PH0610018	SPACER WASHER 13.5 X 6.6MM
19	PLW06M	LOCK WASHER 10MM
20	PN02M	HEX NUT M10-1.5
21	PN06M	HEX NUT M5-.8
22	PH0610022	HOSE CLAMP
23	PS09M	PHLP HD SCR M5-.8 X 10
24	PH0610024	VALVE CORE
24	PH0611024	VALVE CORE
25	PH0610025	O-RING 15.54 X 3.53
26	PH0610026	VALVE
27	PR06M	EXT RETAINING RING 16MM
28	PR08M	EXT RETAINING RING 19MM
29	PH0610029	SPACER WASHER 19.5 X 1.5MM
30	PH0610030	SPACER WASHER 25.5 X 1.5MM
31	PN06M	HEX NUT M5-.8
32	PH0610032	DBL END THREAD AXLE M5 X 53MM

REF	PART #	DESCRIPTION
33	PN06M	HEX NUT M5-.8
34	PCB26M	CARRIAGE BOLT M6-1 X 40
35	PN01M	HEX NUT M6-1
36	PSS73M	SET SCREW M10-1.5 X 30
37	PH0610037	SPACER WASHER 25.5 X 2.5MM
38	PLW10M	LOCK WASHER 16MM
39	PN13M	HEX NUT M16-2
40	PCB33M	CARRIAGE BOLT M8-1.25 X 18
41	PLW04M	LOCK WASHER 8MM
42	PLN04M	LOCK NUT M8-1.25
46	PB85M	HEX BOLT M8-1.25 X 18
47	PLW04M	LOCK WASHER 8MM
48	PLN04M	LOCK NUT M8-1.25
49	PS09M	PHLP HD SCR M5-.8 X 10
50	PN06M	HEX NUT M5-.8
51	PH0610051	PLASTIC ROLLER 19 X 36MM
52	PH0610052	ROLLER AXLE 6 X 50MM
53	PH0610053	HOSE GUARD
54	PH0611054	HOSE 3/8 IN X 50 FT
54	PH0610054	HOSE 3/8 IN X 33 FT
55	PH0610055	RUBBER BUMPER
56	PS47M	PHLP HD SCR M6-1 X 25
57	PN01M	HEX NUT M6-1
58	PH0610058	HOSE END COVER
59	PH0610059	VALVE COVER
60	PH0610060	CAUTION LABEL
61	PH0610061	H0610 MODEL # LABEL
61	PH0611061	H0611 MODEL # LABEL
62	PH0610062	HOSE ROTATION LABEL
63	PH0610063	WARNING LABEL
64	PH0610064	WOOD PLATE
65	PH0610065	CONNECTOR HOSE 3/8 IN.

Parts information is provided for service purposes only. Not all parts are available for purchase.

If you need help with your new hose reel, call our Tech Support at: (570) 546-9663.

COPYRIGHT © OCTOBER, 2009 BY GRIZZLY INDUSTRIAL, INC.
WARNING: NO PORTION OF THIS MANUAL MAY BE REPRODUCED IN ANY SHAPE OR FORM WITHOUT THE WRITTEN APPROVAL OF GRIZZLY INDUSTRIAL, INC.
 #BL12255 PRINTED IN CHINA

