



# MODEL G8124 PNEUMATIC NIBBLER INSTRUCTION SHEET

## ⚠ WARNING

|  |  |
|--|--|
|  | <p><b>EYE/EAR INJURY HAZARD!</b><br/>Wear safety glasses and hearing protection during use of this tool!</p>     |
|  | <p><b>INJURY HAZARD!</b><br/>Always disconnect tool from air to prevent unexpected operation during service!</p> |
|  | <p><b>EXPLOSION HAZARD!</b><br/>Never exceed 90 PSI!</p>   |



Figure 1. Model G8124.

### Introduction

Push type pneumatic nibbler makes quick work of sheet steel up to 1/16" thick and soft metal up to 5/64" thick. Features 3500 strokes per minute at an average air consumption of 6 CFM.

### Inventory

- A. Pneumatic Nibbler..... 1

### Operation

Connect a 1/4" MNPT air fitting to the pneumatic nibbler and then to your regulated air source.

This pneumatic nibbler **MUST** have 3-4 drops of oil directly dropped into the air fitting before each use.

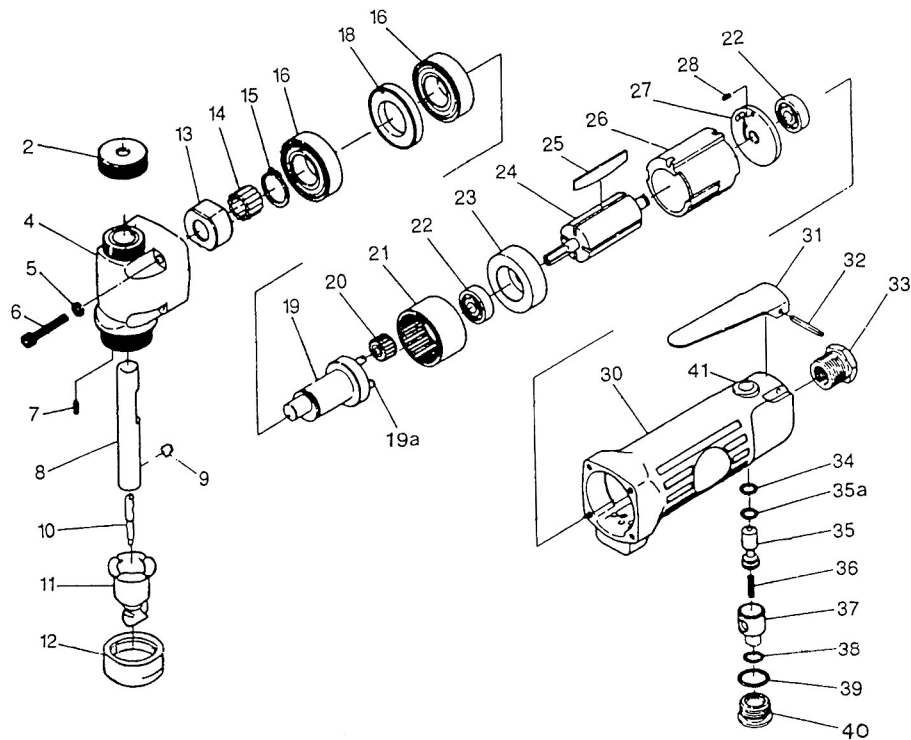
*If you need help with your new pneumatic tool, call our Tech Support at: (570) 546-9663.*

COPYRIGHT © APRIL, 2006 BY GRIZZLY INDUSTRIAL, INC.

**WARNING: NO PORTION OF THIS MANUAL MAY BE REPRODUCED IN ANY SHAPE OR FORM WITHOUT THE WRITTEN APPROVAL OF GRIZZLY INDUSTRIAL, INC.**

#PC8128 PRINTED IN TAIWAN

# G8124 Parts Breakdown and List



| REF | PART #    | DESCRIPTION             |
|-----|-----------|-------------------------|
| 2   | P8124002  | HEAD GAP                |
| 4   | P8124004  | HEAD                    |
| 5   | PW05M     | FLAT WASHER 4MM         |
| 6   | PSB153M   | CAP SCREW M4-.7 X 25    |
| 7   | P8124007  | PIN M2.5 X 5.8          |
| 8   | P8124008  | SLIDE PIN               |
| 9   | PSS07M    | SET SCREW M5-.8 X 5     |
| 10  | P8124010  | PUNCH BLADE             |
| 11  | P8124011  | DIES N/S                |
| 12  | P8124012  | LOCK NUT                |
| 13  | P8124013  | CAM                     |
| 14  | P8124014  | NEEDLE ROLLER 3 X 9.8   |
| 15  | PR18M     | EXT RETAINING RING 17MM |
| 16  | P6003ZZ   | BALL BEARING 6003ZZ     |
| 18  | P8124018  | SPACER                  |
| 19  | P8124019  | CRANK SHAFT             |
| 19A | P8124019A | PIN M4 X 14.8           |
| 20  | P8124020  | IDLER GEAR              |
| 21  | P8124021  | INTERNAL GEAR           |
| 22  | P626ZZ    | BALL BEARING 626ZZ      |

| REF | PART #    | DESCRIPTION         |
|-----|-----------|---------------------|
| 23  | P8124023  | FRONT END PLATE     |
| 24  | P8124024  | ROTOR               |
| 25  | P8124025  | ROTOR BLADE         |
| 26  | P8124026  | CYLINDER            |
| 27  | P8124027  | REAR END PLATE      |
| 28  | P8124028  | PIN M2.5 X 6        |
| 30  | P8124030  | MOTOR HOUSING       |
| 31  | P8124031  | THROTTLE LEVER      |
| 32  | P8124032  | LEVER PIN (M3 X 23) |
| 33  | P8124033  | INLET BUSHING       |
| 34  | P8124034  | O-RING 3.6 X 2.4    |
| 35  | P8124035  | VALVE STEM          |
| 35A | P8124035A | O-RING P5           |
| 36  | P8124036  | VALVE SPRING        |
| 37  | P8124037  | AIR REGULATOR       |
| 38  | P8124038  | O-RING P7           |
| 39  | P8124039  | O-RING P12          |
| 40  | P8124040  | THROTTLE VALVE PLUG |
| 41  | P8124041  | VALVE BUSHING       |