



IMPORTS, INC.

DUST COLLECTOR

MODEL G1028/G1029

INSTRUCTION MANUAL



COPYRIGHT © 1991 BY GRIZZLY INDUSTRIAL, INC. REG # TX 3170576
**WARNING: NO PORTION OF THIS MANUAL MAY BE REPRODUCED IN ANY SHAPE
OR FORM WITHOUT THE WRITTEN APPROVAL OF GRIZZLY INDUSTRIAL, INC.**
REVISED JUNE, 1997. PRINTED IN TAIWAN

DISCONTINUED MACHINE MANUAL DISCLAIMER

THE INFORMATION IN THIS MANUAL REPRESENTS THE LAST CONFIGURATION OF THE MACHINE BEFORE IT WAS DISCONTINUED. MACHINE CONFIGURATIONS MAY HAVE CHANGED AS PRODUCT IMPROVEMENTS WERE INCORPORATED. IF YOU OWN AN EARLIER VERSION OF THE MACHINE, THIS MANUAL MAY NOT EXACTLY DEPICT YOUR MACHINE. CONTACT CUSTOMER SERVICE IF YOU HAVE ANY QUESTIONS ABOUT DIFFERENCES. PREVIOUS VERSIONS ARE NOT AVAILABLE ONLINE.

Table Of Contents

	PAGE
1. SAFETY	2
SAFETY RULES FOR ALL TOOLS	2
ADDITIONAL SAFETY INSTRUCTIONS FOR DUST COLLECTORS.....	3
2. CIRCUIT REQUIREMENTS	4
G1028 WIRING	4
G1029 WIRING	4
GROUNDING	5
3. GENERAL INFORMATION	6
UNPACKING	7
PIECE INVENTORY	7
SITE CONSIDERATIONS	8
4. ASSEMBLY	9
BEGINNING ASSEMBLY	9
BASE	9
COLLECTOR BODY	10
OUTLET	10
SUPPORT BRACKETS.....	11
COLLECTOR.....	11
FLEX HOSE	12
BAG	12
INLET (G1029 ONLY)	13
5. OPERATIONS	14
TEST RUN.....	14
SET UP	14
MOBILE	15
STATIONARY	15
SYSTEM GROUNDING	16
7. MAINTENANCE	17
GENERAL	17
LUBRICATION	17
8. CLOSURE	18
MACHINE DATA	19
PARTS BREAKDOWN AND PARTS LISTS	20-21
WARRANTY AND RETURNS.....	22

SECTION 1: SAFETY

WARNING: For Your Own Safety Read Instruction Manual Before Operating Collector

- a) Always wear eye protection.
- b) Always keep guards in place and in proper operating condition.
- c) Keep hands away from inlet during operation.

Safety Instructions For Power Tools

These safety rules cannot cover every situation in a work shop. Consider your conditions when setting up or operating your dust collector.

1. **KEEP GUARDS IN PLACE** and in working order.
2. **REMOVE ADJUSTING KEYS AND WRENCHES.** Form habit of checking to see that keys and adjusting wrenches are removed from tool before turning on.
3. **KEEP WORK AREA CLEAN.** Cluttered areas and benches invite accidents.
4. **DON'T USE IN DANGEROUS ENVIRONMENT.** Don't use power tools in damp or wet locations, or expose them to rain. Keep work area well lighted.
5. **KEEP CHILDREN AND VISITORS AWAY.** All children and visitors should be kept a safe distance from work area.
6. **MAKE WORK SHOP CHILD PROOF** with padlocks, master switches, or by removing starter keys.
7. **DON'T FORCE TOOL.** It will do the job better and safer at the rate for which it was designed.
8. **USE RIGHT TOOL.** Don't force tool or attachment to do a job for which it was not designed.
9. **USE PROPER EXTENSION CORD.** Make sure your extension cord is in good condition. When using an extension cord, be sure it is rated Hard Service (grade S) or better. Conductor size must be 16 A.W.G. for cords up to 100 feet in length. An undersized cord will cause a drop in line voltage resulting in loss of power and overheating. Your extension cord must also contain a ground wire and plug pin. Always repair or replace extension cords if they become damaged. Minimum Gage for extension cord:

16 A.W.G.	50ft
16 A.W.G.	100ft
14 A.W.G.	200ft
12 A.W.G.	300ft
10. **WEAR PROPER APPAREL** Do not wear loose clothing, gloves, neckties, rings, bracelets, or other jewelry which may get caught in moving parts. Non-slip footwear is recommended. Wear protective hair covering to contain long hair.
11. **ALWAYS USE SAFETY GLASSES.** Also use face or dust mask if cutting operation is dusty. Everyday eyeglasses only have impact resistant lenses, they are NOT safety glasses.

12. **SECURE WORK.** Use clamps or a vise to hold work when practical. It's safer than using your hand and frees both hands to operate tool.
13. **DON'T OVERREACH.** Keep proper footing and balance at all times.
14. **MAINTAIN TOOLS WITH CARE.** Keep tools sharp and clean for best and safest performance. Follow instructions for lubricating and changing accessories.
15. **DISCONNECT TOOLS** before servicing and changing accessories, such as blades, bits, cutters, and the like.
16. **REDUCE THE RISK OF UNINTENTIONAL STARTING.** Make sure switch is in off position before plugging in.
17. **USE RECOMMENDED ACCESSORIES.** Consult the owner's manual for recommended accessories. The use of improper accessories may cause risk of injury.
18. **CHECK DAMAGED PARTS.** Before further use of the tool, a guard or other part that is damaged should be carefully checked to determine that it will operate properly and perform its intended function-check for alignment of moving parts, binding of moving parts, breakage of parts, mounting, and any other conditions that may affect its operation. A guard or other part that is damaged should be properly repaired or replaced.
19. **DIRECTION OF FEED.** Feed work into a blade or cutter against the direction of rotation of the blade or cutter only.
20. **NEVER LEAVE TOOL RUNNING UNATTENDED. TURN POWER OFF.** Don't leave tool until it comes to a complete stop.

Additional Safety Instructions For Dust Collectors

1. This dust collector is to be used for wood dust collection only. **DO NOT** use this dust collector to pick up liquids and metal scrap including, but not limited to, nails and filings. *Metallic debris will contact the spinning impeller and could spark. The spark could then cause a sawdust explosion and severe fire hazard.* Also, **DO NOT** pick up material which cannot safely pass through the impeller such as solid wood scraps.
2. **DO NOT** place your hands or tools near the open inlet during operation for any reason including, but not limited to, unclogging material and testing suction. *The impeller could cause serious damage to body parts if touched while spinning.*
3. Problems concerned with any moving part(s) or accessories must be investigated and corrected with the power disconnected and after everything has come to a complete stop.
4. Suspended dust particles in conjunction with an ignition source, may cause an explosion. **DO NOT** operate the dust collector in areas where explosion risks would be high if dust were dispersed into the area. Areas of high risk include, but are not limited to, areas near pilot lights and/or open flames.
5. **DO NOT** allow steel to strike against steel which may produce a spark. Sparks can smolder in wood dust for a long time before fire or flame is detected. If metal contacts metal during operation, immediately turn off the dust collector, unplug the power cord from the outlet or throw the disconnect and wait for all moving parts to stop. Remove collection bags and empty the dust into an approved air tight metal container in case of spark and remedy the metal to metal contact problem before resuming operation.
6. When emptying dust from the collection bags, wear a respirator and safety glasses. Empty dust into an approved container and dispose of properly.

SECTION 2: CIRCUIT REQUIREMENTS

G1028 Wiring

The G1028 Dust Collector is pre-wired for 110V, but can be rewired for 220V. Refer to the wiring diagram included with this manual for instruction. Do not attempt to rewire the motor if the diagram is missing. Contact the appropriate service center for more information.

A plug is not provided with the G1028. It will be necessary to purchase a standard 110V plug from your local hardware store. If you are rewiring for 220V, see **Figure 1** for recommended 220V receptacle.

Circuit Breaker: The 1 HP motor will draw roughly 13 amps @ 110V, 6 @ 220V. We recommend a using 20 amp circuit breaker for 110V or 220V operation. Circuit breakers rated higher will not adequately protect the motor. If you are using a fuse, we recommend 30 amp slow blow for 110V or 220V operation. Fuses rated higher will not adequately protect the motor.



G1029 Wiring

The G1029 Dust Collector is pre-wired for 220V and cannot be rewired for 110V.

A plug is not provided with the G1029. Refer to **Figure 1** for recommended 220V receptacle.

Circuit Breaker: The 2 HP motor will draw roughly 13 amps @ 220V. We recommend using a 20 amp circuit breaker. Circuit breakers rated higher will not adequately protect the motor. If you are using a fuse, we recommend 30 amp slow blow 220V service. Fuses rated higher will not adequately protect the motor.

CAUTION: We have covered some basic electrical requirements for the safe operation of your Dust Collector. These requirements are not necessarily comprehensive. You must be sure that your particular electrical configuration complies with local and state codes. Ensure compliance by checking with your local municipality or a licensed electrician.

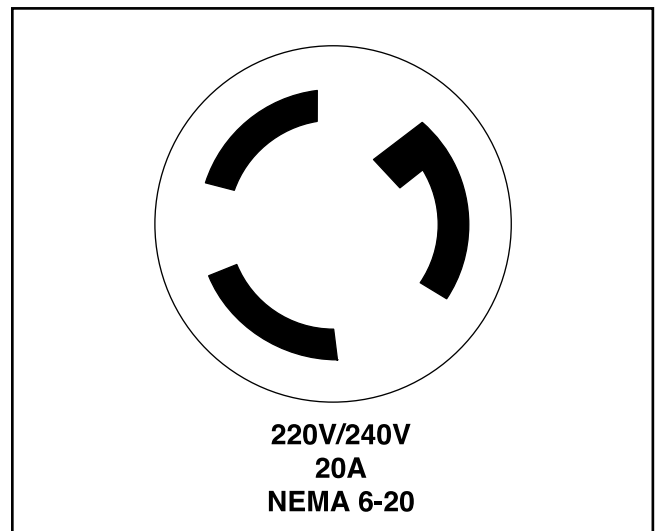


Figure 1. Recommended 220V receptacle.



Grounding

CAUTION: THIS TOOL MUST BE GROUNDED WHILE IN USE TO PROTECT THE OPERATOR FROM ELECTRIC SHOCK.

In the event of a malfunction or breakdown, grounding provides a path of least resistance for electric current to reduce the risk of electric shock. This tool is equipped with an electric cord having an equipment-grounding conductor. The grounding conductor must be connected to the grounding pin on the plug. The plug must be plugged into a matching outlet that is properly installed and grounded in accordance with all local codes and ordinances.

Improper connections of the electrical-grounding conductor can result in risk of electric shock. The conductor with green or green and yellow striped insulation is the electrical-grounding conductor. If repair or replacement of the electric cord or plug is necessary, do not connect the equipment grounding conductor to a live terminal.

Under no circumstances should the grounding pin from any three-pronged plug be removed. If it will not fit the outlet, have the proper outlet installed by a qualified electrician.

Check with a qualified electrician or one of our service personnel if the grounding instructions are not completely understood, or if in doubt as to whether the tool is properly grounded. Use only 3-wire extension cords that have 3-prong grounding type plugs and 3-hole receptacles that accept the tool's plug. **Figure 2.**

Repair or replace damaged or worn cord immediately.

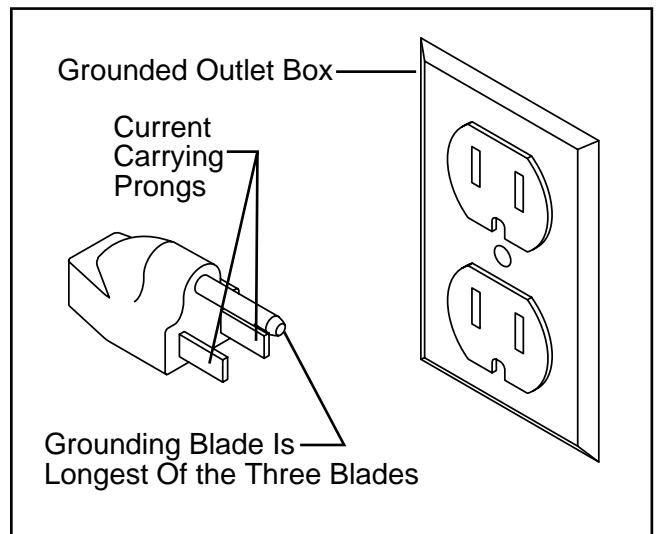


Figure 2.



SECTION 3: GENERAL INFORMATION

Grizzly Industrial, Inc. is proud to offer the Models G1028 and G1029 Dust Collectors. These dust collectors are a part of Grizzly's growing family of fine machinery. When used according to the guidelines set forth in this manual, you can expect years of trouble-free, enjoyable operation and proof of Grizzly's commitment to customer satisfaction.

The G1028 and G1029 Dust Collectors represent the mid-range of our broad line of dust collectors. Standard features for both dust collectors include a push button switch, cyclone collector, and two large filter/collection bags. The G1028 has a 1 HP motor which is pre-wired for 110/120V and a 4" intake port. Air movement is 610 cubic feet per minute with a static pressure of 5.51". The G1029 features a 2 HP motor which is pre-wired for 220/240V and has a double 4" wye that connects to a 5" inlet. Air movement is 1182 cubic feet per minute with a static pressure of 9.06". We also offer a full line of optional accessories to build a collection system for a single machine or a complete shop including a two-stage adapter and a dust collection reference book. All accessories are offered through the current Grizzly catalog.

We are also pleased to provide this manual for the Models G1028/G1029. It was written to guide you through assembly, review safety considerations, and cover general operating procedures. It represents our latest effort to produce the best documentation possible. If you have any criticisms that you feel we should address in our next printing, please write to us at the Bellingham, WA address at the end of this section.

Most important, we stand behind our machines. We have excellent regional service departments at your disposal should the need arise. If you have any service questions or parts requests, please call or write to us at the location listed below.

Grizzly Industrial, Inc.
1203 Lycoming Mall Circle
Muncy, PA 17756
Phone:(570) 546-9663
Fax:(800) 438-5901
E-Mail: techsupport@grizzly.com
Web Site: <http://www.grizzly.com>

To comment on this manual write to:

Grizzly Industrial, Inc.
% Technical Documentation
P.O. Box 2069
Bellingham, WA 98227

To operate this or any power tool safely and efficiently, it is essential to become as familiar with it as possible. The time you invest before you begin to use your Model G1028/G1029 will be time well spent. **DO NOT** operate this machine until you are completely familiar with the contents of this manual.

Unpacking

The Model G1028/G1029 Dust Collector is shipped from the manufacturer in a carefully packed carton. If you discover the machine is damaged after you've signed for delivery, *please call Customer Service immediately for advice.*

Save the containers and all packing materials for possible inspection by the carrier or its agent. *Otherwise filing a freight claim can be difficult.*

Caution: The G1028/G1029 is a heavy machine (G1028-116 lbs. shipping weight, G1029-140 lbs shipping weight). **DO NOT** over-exert yourself while unpacking or moving your machine – get assistance. In the event that your Dust Collector must be moved up or down a flight of stairs, be sure that the stairs are capable of supporting the combined weight of people and the machine.

When you are completely satisfied with the condition of your shipment, you should inventory its parts.



Piece Inventory

After all the parts have been removed from the carton, you should have:

- Collector Body Assembly
- Base
- 'Y' Inlet (G1029 Only)
- Collection/Filter Bags
- Lower Support Brackets (2)
- Casters (4)
- Rubber Gasket
- Upper Support Bracket
- Outlet
- Outlet Hose
- Hose Clamps
- Hex Bolts $\frac{5}{16}$ " - 18 x $\frac{1}{2}$ " (36)

In the event that any non-proprietary parts are missing (e.g. a nut or a washer), we would be glad to replace them, or, for the sake of expediency, replacements can be obtained at your local hardware store.



Site Considerations

When placing the G1028 or G1029 Dust Collector in your shop, three major considerations should be addressed: working clearances, lighting and electrical, and circuit loading.

1. **Working Clearances:** Be sure to allow yourself sufficient room to safely operate your machines **in any foreseeable operation.** Consider existing and anticipated machine needs, anticipated size of material to be processed through each machine, and space for auxiliary stands and/or work tables. You may also want to consider the relative position of each machine to one another for efficient material handling.

2. **Outlets:** Electrical circuits should be dedicated or large enough to handle motor amp loads and proper lighting. Outlets should be located near each machine so power or extension cords are not obstructing high-traffic areas. Be sure to observe local electrical codes for proper installation if you are adding new lighting, outlets, or circuits.



SECTION 4: ASSEMBLY

Beginning Assembly

Assembly of the G1028/G1029 is straightforward. We have organized the assembly process into steps. Please follow them in sequence.

Caution: All die-cut metal parts have a sharp edge (called “flashing”) on them after they are formed. This is removed at the factory. Sometimes though, a bit of flashing might escape inspection. Please examine the edges of all die-cut metal parts before handling them.

Tools Required: 12mm open end wrench, regular and Phillips head screwdriver.



Base

Position the base plate upside down and locate the casters so they are within easy reach. Mount the casters to the base plate using sixteen $\frac{5}{16}$ " - 18 x $\frac{1}{2}$ " hex bolts provided. **Figure 3.**



Figure 3. Mounting casters to base.



Collector Body

The collector body includes the fan assembly, switch, and motor which are preassembled at the factory. Set the collector body on top of the base plate so the intake portion is near the edge of the base plate and the bolt holes are lined up as shown in **Figure 4**. Secure the collector body to the base plate with four (4) $\frac{5}{16}$ " - 18 x $\frac{1}{2}$ " bolts provided.

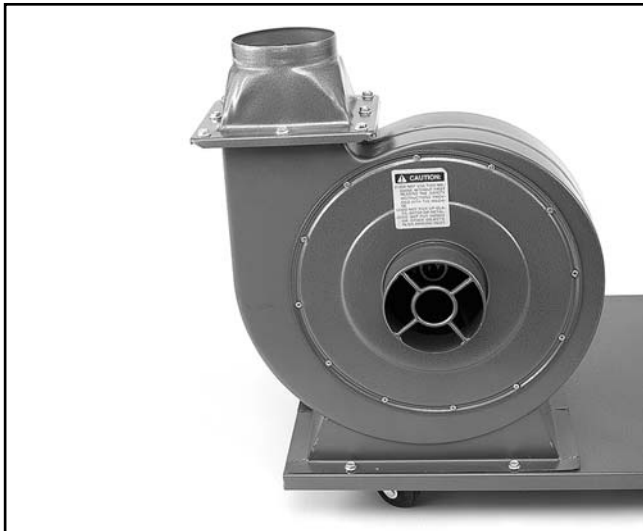


Figure 4. Mounting collector to base.



Outlet

The outlet can now be attached to the main collector body. Insert the **rubber gasket** between the collector and lower outlet flange and secure using eight (8) $\frac{5}{16}$ " - 18 x $\frac{1}{2}$ " bolts provided. **Figure 5.**



Figure 5. Mounting outlet to collector body.



Support Brackets

There are two lower collector support brackets and one upper bag support bracket. Attach the collector brackets to the top edge of the base plate using four (4) $\frac{5}{16}$ " - 18 x $\frac{1}{2}$ " bolts provided. **Figure 6.**



Figure 6. Mounting brackets to base.



Collector

The collector attaches to each support bracket. The inside of the collector is funnel shaped and directs the air around in a cyclone motion. Make sure that the inside taper (funnel) is faced downward and the collector inlet faces toward the collector body.

Secure the front support bracket to the collector with two (2) $\frac{5}{16}$ " - 18 x $\frac{3}{4}$ " bolts provided. Before securing the rear support bracket to the collector, line up the upper bag support bracket bolt holes with the collector support bracket bolt holes and collector. Secure with two (2) $\frac{5}{16}$ " - 18 x $\frac{3}{4}$ " bolts provided. **Figure 7.**



Figure 7. Mounting collector to brackets.



Flex Hose

Slip a loosened hose clamp over each end of the flex-hose and slide one end of the flex-hose over the outlet flange. Slide the other end of the flex-hose onto the collector. Tighten each hose clamp until snug. **Figure 8.**



Figure 8.



Bag

1. Hook the top loop of the filter bag over the support bracket. **Figure 9.**



Figure 9.

2. Slip the collection bag over the top edge of the collector and pull the strap tight to secure. **Figure 9.**



Figure 10.

3. Slip the steel band around the bag and tighten down. **Figure 11.**



Figure 11.



Inlet (G1029 Only)

Press the two-to-one inlet onto the inlet cover flange. **Figure 12.** The inlet is secured to the collector body by a press-on fit.



Figure 12.



SECTION 6: OPERATIONS

Test Run

Please review the safety rules if you are not sure about the risks associated with operating this machine. Turn on the power supply at the main panel if not already on. Flip toggle switch on and be ready to switch off just in case there is a problem. The dust collector should run smoothly and be free of vibration or rubbing noises. Unusual or strange sounds or symptoms must be investigated and the problem corrected before proceeding further.

WARNING: Make sure the G1028/G1029 is unplugged and moving parts have come to a complete stop before investigating any problems or performing any maintenance or adjustments.

If everything is running smoothly, perform a test of the dust collector. Ensure that the collector picks up sawdust freely and easily. If it does not, review the assembly process and your duct system.



Set Up

The G1028/G1029 dust collectors can be either operated as mobile or stationary units. There are advantages and disadvantages to both systems. The primary advantage of a mobile system is low expense of ducts and fittings. On the other hand a stationary system is more versatile and convenient. There are some basic considerations for each method.

In light of all the health concerns related to airborne dust, proper setup and installation cannot be overlooked.

You may wish to locate your dust collector away from the work area in an adjacent room or closet. If you do locate the dust collector in an adjacent room by running a duct through the wall, be sure there are no open flames and/or gas appliances with pilot lights. There is a risk of explosion if dust is dispersed into the air. You must also ensure that the volume of air entering the room or closet is properly vented back into the workshop.

IMPORTANT: The maximum size and extent of any particular stationary system is limited and dependent upon the size and power of the dust collector. Therefore, the G1029 is capable of supporting significantly larger systems than is the G1028.

WARNING: Ensure that all duct work is grounded to discharge the build-up of static electricity, particularly if using a plastic duct system. See **System Grounding**, page 16.



Mobile

For mobility, the G1028/G1029 is mounted on casters and can be moved within close proximity to one or two woodworking machines, depending on the model. You will need a flexible duct to connect each machine with a collection hood. If you wish to specifically direct air flow while the dust collector is attached to more than one machine, you will need to add a blast gate for each machine.

When moving the dust collector around the shop, you must consider clearances between obstacles and accessibility to convenient electrical outlets. A heavy-duty extension cord may be used if an outlet is not convenient.



Stationary

The G1028/G1029 can be set up as a stationary unit with the addition of a fixed duct system to service more than one machine at a time. The primary advantage of a stationary system is it eliminates the process of disconnecting and moving the dust collector, hoses and cords, and eliminates hoses and cords laying on the floor. Another advantage of a stationary system is it allows the dust collector to be located away from the work area, reducing noise and freeing up valuable workshop space. Grizzly offers a complete line of dust collection accessories for setting up a stationary system. Additionally, Grizzly offers a complete guide book for setting up stationary dust collection systems. Please refer to our current catalog for pricing and ordering information.

A stationary system configuration usually has a main duct with smaller ducts branching to each machine. The main duct should be located out of the way of normal operations and be accessible for the branch ducts. Branch ducts are permanently attached to each machine by way of collection hoods. Air flow is controlled by blast gates located in the branch ducts and near each machine. Remote switches, available from electrical supply stores, can be added to make the system even more convenient.

To design a stationary system, you must consider many interrelated factors such as, shop layout, woodworking machine capacities, and general duct efficiency. Design considerations for a stationary dust collection system are beyond the scope of this manual. As stated above, [Dust Collection Basics](#), offered by Grizzly, is an excellent resource for dust collection questions.



System Grounding

Since plastic hose is abundant, relatively inexpensive, easily assembled, and airtight, it is a very popular material for conveying dust from woodworking machines to the dust collector. We recommend using flexible hose (flex-hose) to connect the woodworking machine to the dust collector. However, plastic piping, including plastic flex-hose, is an insulator, and dust particles moving against the walls of the pipe create a static electrical charge build-up. This charge will build until it discharges to ground. If a grounding medium is not available to prevent static electrical charge build-up, the electrical discharge will arc, similar to lightning. This electrical discharge may cause an explosion and subsequent fire inside the system.

To protect against static electrical charge build-up inside a non-conducting duct, a bare copper wire should be placed inside the duct along its length and grounded to the dust collector. Please ensure that the dust collector is continuously grounded through the electrical circuit to the electric service panel.

If you connect the dust collector to more than one machine by way of a non-conducting branching duct system and blast gates, the system must still be grounded as mentioned above. We recommend inserting a continuous bare copper grounding wire inside the entire duct system and attaching the wire to each grounded woodworking machine and dust collector.

Be sure that you extend the bare copper wire down all branches of the system. Do not forget to connect the wires to each other when two branches meet at a Y or T connection. Use wire nuts.

Ensure that the entire system is grounded. If using blast gates to direct air flow, the grounding wire must be jumped around the blast gate without interruption to the grounding system.

We also recommend wrapping the outside of all plastic ducts with bare copper wire to ground the outside of the system against static electricity build-up. Wire connections at Y's and T's should be made with wire nuts.

Attach the bare ground wire to each stationary woodworking machine and the dust collector frame with a ground screw. Ensure that each machine is continuously grounded to the grounding terminal in your electric service panel.

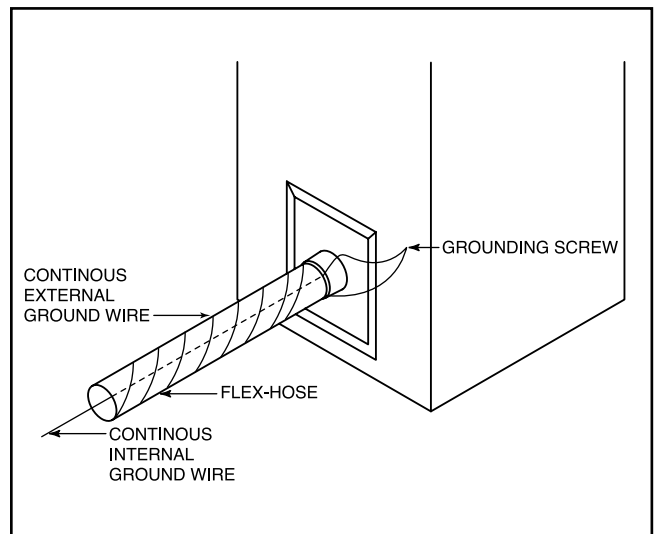


Figure 13.



SECTION 7: MAINTENANCE

General

Periodic maintenance will ensure safe operation, long dust collector life, and low overall cost of operation.

Routinely check the condition of the following items and repair or replace as necessary:

1. Loose mounting bolts, collector body, outlet, and support bracket mounting bolts.
2. Worn switch.
3. Worn or damaged cords and plugs.
4. Worn or damaged collection/filter bag.
5. Any other condition that could hamper the safe operation of this machine.

IMPORTANT: Always empty the collection bag before it becomes full. Machine efficiency is greatly increased when the collection bag is empty.



Lubrication

Shielded and pre-lubricated ball bearings require no lubrication on your part for the life of the bearings. Bearing life is dependent upon use. All bearings are common sizes.



SECTION 8: CLOSURE

The following pages contain general machine data, parts diagram, parts list and Warranty/Return information for your Model G1028/G1029 Dust Collector.

If you need parts or help in assembling your machine, or if you need operational information, we encourage you to call the appropriate regional Service Department. Our trained service technicians will be glad to help you.

If you have comments dealing specifically with this manual, please write to our Bellingham, Washington location using the address in the Introduction. The specifications, drawings, and photographs illustrated in this manual represent the Model G1028/G1029 as supplied when the manual was prepared. However, due to Grizzly's policy of continuous improvement, changes may be made at any time with no obligation on the part of Grizzly. Whenever possible, though, we send manual updates to all owners of a particular tool or machine. Should you receive one, add the new information to this manual and keep it for reference.

We have included some important safety measures that are essential to this machine's operation. While most safety measures are generally universal, Grizzly reminds you that each workshop is different and safety rules should be considered *as they apply to your specific situation*.

We recommend you keep a copy of our current catalog for complete information regarding Grizzly's warranty and return policy. If you need additional technical information relating to this machine, or if you need general assistance or replacement parts, please contact our Service Department listed in the General Information.

Additional information sources are necessary to realize the full potential of this machine. Trade journals, woodworking magazines, and your local library are good places to start.

WARNING!

As with all power tools, there is danger associated with the Model G1028/G1029 Dust Collector. Use the tool with respect and caution to lessen the possibility of mechanical damage or operator injury. If normal safety precautions are overlooked or ignored, injury to the operator or others in the area is likely.

The Model G1028/G1029 was specifically designed for dust collecting operations. **DO NOT MODIFY AND/OR USE THIS DUST COLLECTOR FOR ANY OTHER PURPOSE. Modifications or improper use of this tool will void the warranty.** If you are confused about any aspect of this machine, **DO NOT** use it until you have answered all your questions.

Machine Data

GRIZZLY MODEL G1028/G1029 DUST COLLECTOR

Design Type:.....Single Stage - Upright on Casters

Overall Dimensions:

Base.....21" x 49" x 1/2"
Height76"
Intake Hole Size, G10284"
Intake Hole Size, G10295"
Intake Hole Size W/ Adapter, G10294" x 2 Holes
Bag Size (Each)19" x 35"
Bag Capacity (Each)4 1/2 cu. ft.
Bag MaterialFabric
Shipping Weight, G1028180 lbs.
Shipping Weight, G1029210 lbs.
Impeller Size, G1028.....10 1/2"
Impeller Size, G1029.....12"
Air Suction Capacity (CFM), G1028610 CFM
Air Suction Capacity (CFM), G10291182 CFM
Static Pressure (Inches of Water), G10284.51 @ 4"
Static Pressure (Inches of Water), G10299.06 @ 5"

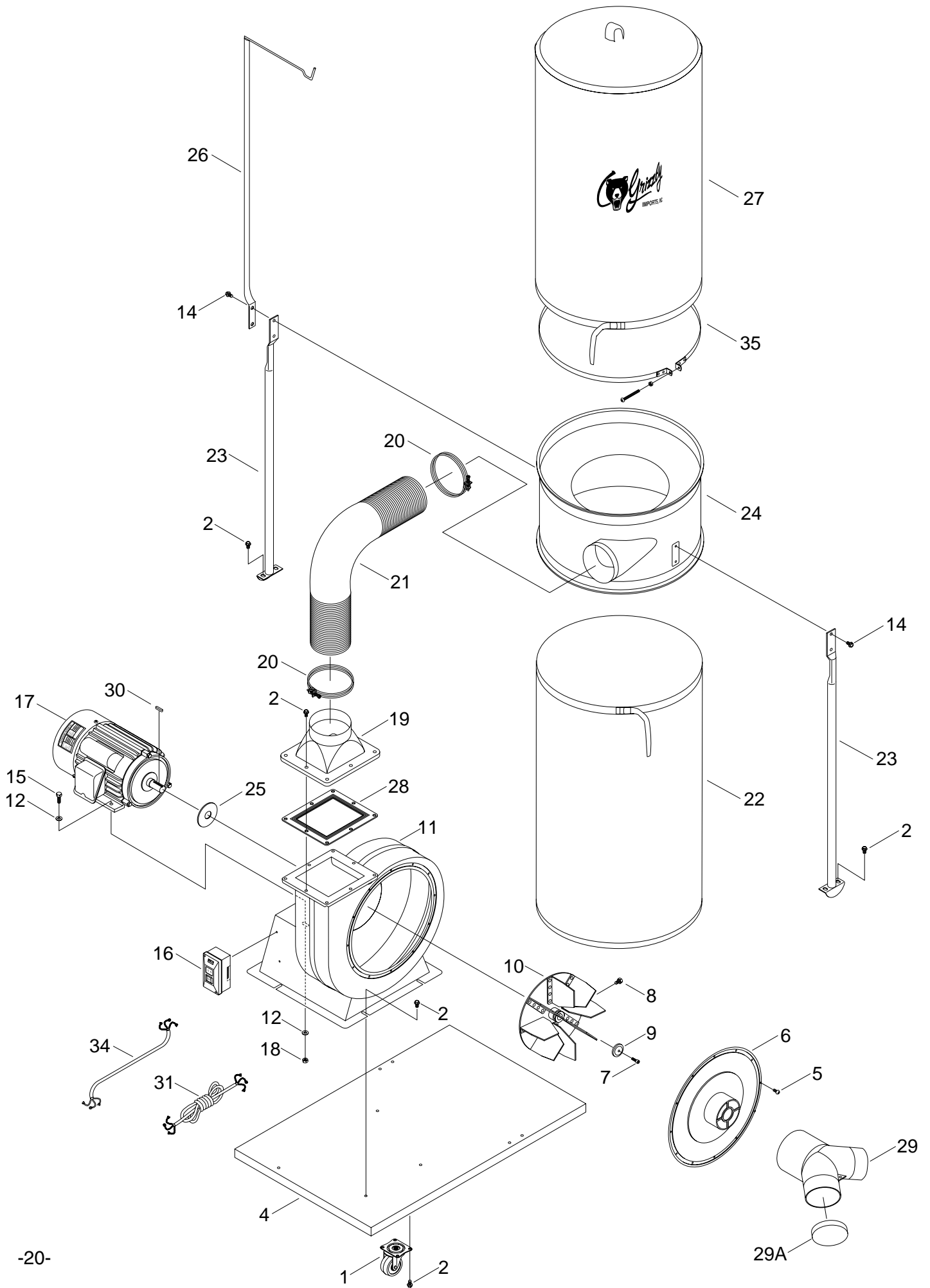
Construction:

BaseFabricated Sheet Metal with Casters
Impeller TypeRadial
Impeller Blade Thickness3/32" Steel - Riveted On

Electrical:

TypeTEFC Capacitor Start Induction Motor
Horsepower, G10281 HP
Horsepower, G10292 HP
Phase/Cycle.....Single/60 HZ
Voltage, G1028110/220V
Voltage, G1029220V
Amps, G102813/6.5
Amps, G102910
RPM3450
Bearings.....Sealed & Lubricated-for-Life, Ball Bearing

Specifications, while deemed accurate, are not guaranteed.



REF	PART #	DESCRIPTION
1	P1028001	CASTER
2	PFB01	FLANGE BOLT $\frac{5}{16}$ " - 18 x $\frac{1}{2}$ "
4	P1028004	BASE PLATE
5	PS06	PHLP HD SCREW
6	P1028006	INLET COVER (G1028)
6	P1029006	INLET COVER (G1029)
7	P1028007	CAP SCREW
8	PB09	HEX BOLT $\frac{5}{16}$ " - 18 x $\frac{1}{2}$ "
9	P1028009	SPECIAL WASHER
10	P1028010	10" IMPELLER (G1028)
10	P1029010	12" IMPELLER (G1029)
11	P1028011	COLLECTOR BODY
12	PW07	FLAT WASHER $\frac{5}{16}$ "
14	PFB01	FLANGE BOLT $\frac{5}{16}$ " - 18 x $\frac{1}{2}$ "
15	P1028015	BOLT $\frac{5}{16}$ " - 18 x 1"
16	PSW04	SWITCH
17	P1028017	MOTOR, 1HP (G1028)
17	P1029017	MOTOR, 2HP (G1029)
18	PN02	HEX NUT $\frac{5}{16}$ " - 18
19	P1028019	OUTLET
20	P1028020	HOSE CLAMP
21	P1028021	HOSE
22	G4996	BAG, LOWER
23	P1028023	COLLECTOR SUPPORT
24	P1028024	COLLECTOR
25	P1028025	PACKING (G1028)
25	P1029025	PACKING (G1029)
26	P1028026	UPPER BAG SUPPORT
27	G1027	BAG, UPPER
28	P1028028	GASKET
29	P1029028	Y-INLET (G1029 ONLY)
29A	P1029029A	INLET CAP (G1029 ONLY)
30	PK32M	KEY 6 x 6 x 28 (G1028)
30	PK28M	KEY 7 x 7 x 29 (G1029)
31	P1028031	POWER CORD
34	P1028034	MOTOR CORD
35	P1028035	FILTER CLAMP

WARRANTY AND RETURNS

Grizzly Industrial, Inc. warrants every product it sells for a period of **1 year** to the original purchaser from the date of purchase. This warranty does not apply to defects due directly or indirectly to misuse, abuse, negligence, accidents, repairs or alterations or lack of maintenance. This is Grizzly's sole written warranty and any and all warranties that may be implied by law, including any merchantability or fitness, for any particular purpose, are hereby limited to the duration of this written warranty. We do not warrant or represent that the merchandise complies with the provisions of any law or acts unless the manufacturer so warrants. In no event shall Grizzly's liability under this warranty exceed the purchase price paid for the product and any legal actions brought against Grizzly shall be tried in the State of Washington, County of Whatcom.

We shall in no event be liable for death, injuries to persons or property or for incidental, contingent, special, or consequential damages arising from the use of our products.

To take advantage of this warranty, contact us by mail or phone and give us all the details. We will then issue you a "Return Number", which must be clearly posted on the outside as well as the inside of the carton. We will not accept any item back without this number. Proof of purchase must accompany the merchandise.

The manufacturers reserve the right to change specifications at any time because they constantly strive to achieve better quality equipment. We make every effort to ensure that our products meet high quality and durability standards and we hope you never need to use this warranty.

Please feel free to write or call us if you have any questions about the machine or the manual.

Thank you again for your business and continued support. We hope to serve you again soon.

grizzly.com

TOOL WEBSITE

Buy Direct and Save with Grizzly® – Trusted, Proven and a Great Value!

*Visit Our Website Today And Discover
Why Grizzly® Is The Industry Leader!*

- SECURE ORDERING
- ORDERS SHIPPED WITHIN 24 HOURS
- E-MAIL RESPONSE WITHIN ONE HOUR

-OR-

Call Today For A **FREE**
Full Color Catalog

1-800-523-4777

